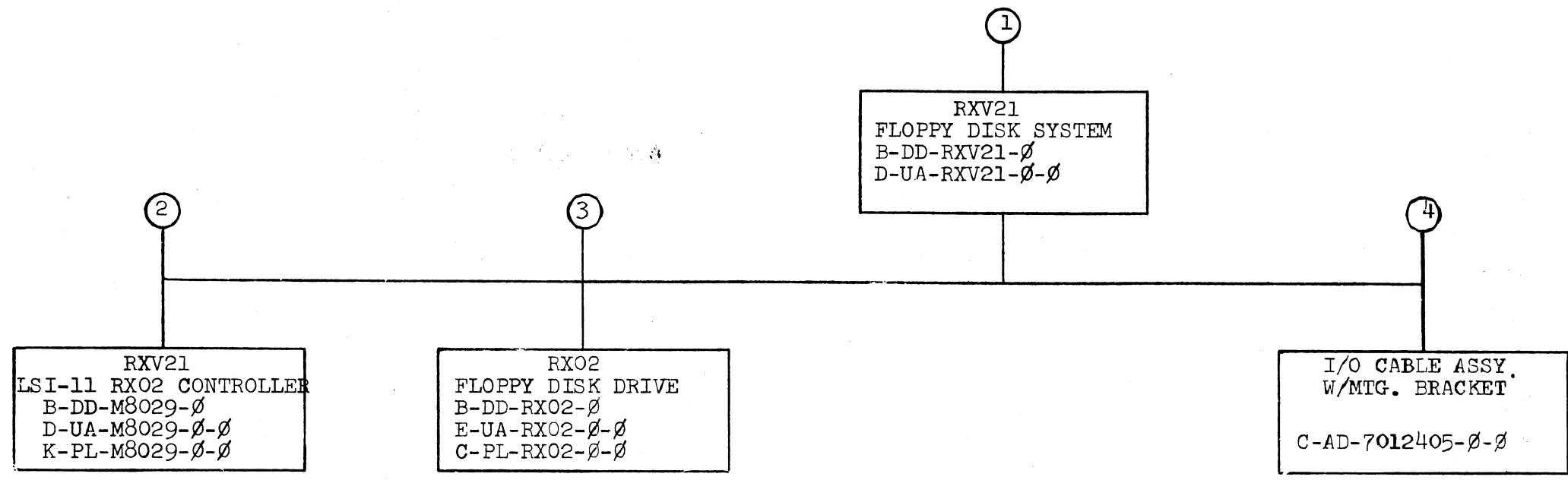


"THIS DRAWING AND SPECIFICATIONS, HEREIN, ARE THE PROPERTY OF DIGITAL EQUIPMENT CORPORATION AND SHALL NOT BE REPRODUCED OR COPIED OR USED IN WHOLE OR IN PART AS THE BASIS FOR THE MANUFACTURE OR SALE OF ITEMS WITHOUT WRITTEN PERMISSION.
 COPYRIGHT © DIGITAL EQUIPMENT CORPORATION"



TITLE	SHEET	OF	SIZE	CODE	NUMBER	REV
RXV21 FLOPPY DISK SYSTEM	2	3	B	DD	RXV21-Ø	A

FIND NO.	DRAWING NO.	DESCRIPTION	TYPE	FIND NO.	DRAWING NO.	DESCRIPTION	TYPE
1	MP00628	FIELD MAINTENANCE PRINT SET (MP)	-				
	B-TC-RXV21-Ø-1	FIELD MAINTENANCE PRINT SET (TC)	-				
	B-DD-RXV21-Ø	RXV21 FLOPPY DISK SYSTEM DRAWING DIRECTORY	-				
	D-UA-RXV21-Ø-Ø	RXV21 FLOPPY DISK SYSTEM ASSY.	E/M				
	D-IA-7412853-Ø-Ø	DUAL DRIVE FRONT PLATE	M				
	A-SP-RXV21-Ø-4	RXV21 ENGINEERING SPECIFICATION	-				
2	B-DD-M8029-Ø	RXV21 LSI-11 RX02 CONTROLLER DRAWING DIRECTORY	-				
	D-UA-M8029-Ø-Ø	RXV21 LSI-11 RX02 CONTROLLER - ASSY	E				
	K-PL-M8029-Ø-Ø	RXV21 LSI-11 RX02 CONTROLLER - P/L	E				
	D-CS-M8029-Ø-1	RXV21 LSI-11 RX02 CONTROLLER - CIRCUIT SCHEMATIC	E				
3	B-DD-RX02-Ø	RX02 FLOPPY DISK DRIVE SYSTEM - DRAWING DIRECTORY	-				
	E-UA-RX02-Ø-Ø	RX02 FLOPPY DISK DRIVE - ASSY	E/M				
	C-PL-RX02-Ø-Ø	RX02 FLOPPY DISK DRIVE - P/L	E/M				
4	C-AD-7012405-Ø-Ø	I/O CABLE ASSY, W/MTG. BRACKET	E/M				
	C-IA-7416923-Ø-Ø	BRACKET, CONN., MOUNTING	M				
	C-IA-BC02C-Ø-Ø	I/O CABLE ASSY.	E/M				

TYPE: E ELECTRICAL
M MECHANICAL
E/M ELECTRO/MECHANICAL



TITLE
RXV21 FLOPPY DISK SYSTEM

SHEET 3 OF 3

SIZE CODE
B DD

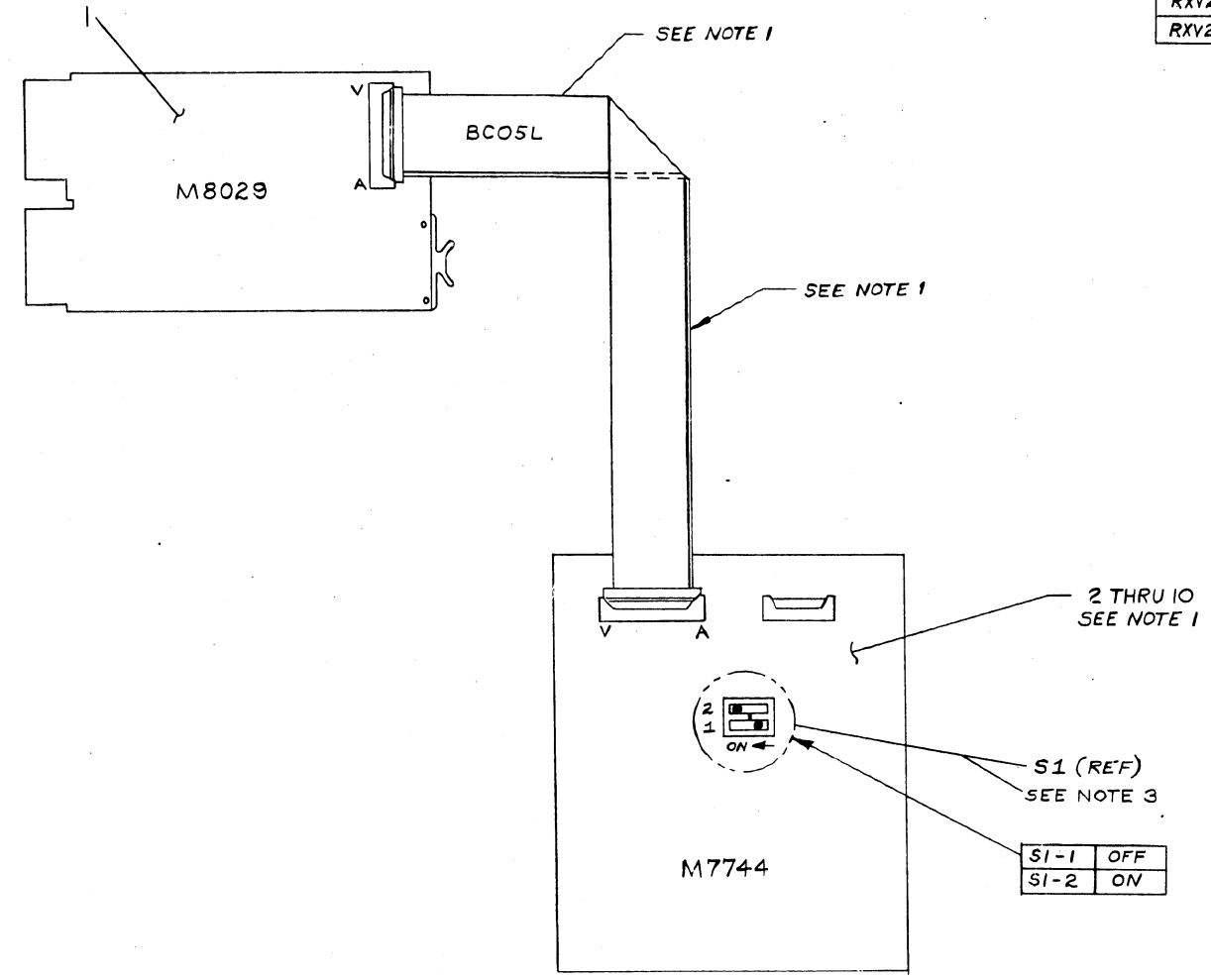
NUMBER
RXV21-Ø

REV
A

THIS DRAWING AND SPECIFICATIONS HEREIN ARE THE PROPERTY OF DIGITAL EQUIPMENT CORPORATION AND SHALL NOT BE REPRODUCED OR COPIED OR USED IN WHOLE OR IN PART AS THE BASIS FOR THE MANUFACTURE OR SALE OF ITEMS WITHOUT WRITTEN PERMISSION.
COPYRIGHT © 1978, DIGITAL EQUIPMENT CORPORATION

VARIATION LEGEND	
NUMBER	VARIATION
RXV21-φ	RXV21 LSI-II INTERFACE (M8029)
RXV21-AA	RX02-AA & RXV21-φ INTERFACE, 110V, 60HZ
RXV21-AC	RX02-AC & ↑ ↑ , 110V, 50HZ
RXV21-AD	RX02-AD & , 230V, 50 HZ
RXV21-BA	RX02-BA & , 110V, 60HZ
RXV21-BC	RX02-BC & , 110V, 50HZ
RXV21-BD	RX02-BD & , 230V, 50 HZ
RXV21-DA	RX02-DA & , 110V, 60HZ
RXV21-DC	RX02-DC & ↓ ↓ , 110V, 50 HZ
RXV21-DD	RX02-DD & RXV21-φ INTERFACE, 230V, 50 HZ

- NOTES:
1. MODULE M7744 & CABLE ASSY BC05L ARE SUPPLIED WITH THE RX02 FLOPPY DISK DRIVE ASSY.
 2. RED STRIPE ON BC05L CABLE INDICATES PIN "A" ON THE CONNECTOR.
 3. THE RX02 DISK CONTROLLER BOARD (M7744) MUST BE SWITCHED CORRECTLY FOR PROPER OPERATION WITH THE RXV21-φ INTERFACE (M8029). SEE USER'S GUIDE FK-RX02-US.
 4. ITEM 11 IS USED AT D322 OPTION BY REPLACING FALSE FRONT ON BEZEL ASSY. SAME MOUNTING HARDWARE IS RE-USABLE (5 PLACES).
 5. ITEMS 12, 13 & 14 ARE USED TO MOUNT BEZEL ASSY TO RX02 CHASSIS.
 6. ITEMS #12 THRU #15 NOT SHOWN.



QTY	DESCRIPTION	DWG/PART NO.	ITEM NO.
-	PACKAGING INSTR-CUSTOMER	A-SP-3700193-φ-φ	REF
-	PACKAGING INSTA-INTERMNT	A-SP-3700185-φ-φ	REF
1	CABLE ASSY, W/MTG. BRKT	CAD-7012405-φ-φ	15
4	WASHER, FLAT, No 8	9006666-00	14
4	WASHER, SPRING LOCK N. 8	9006690-00	13
4	SCR, PHL PAN HD. 8-32 X.50L	9006039-01	12
1	PLATE, FRONT, DUAL DRIVE	D-IA-7412853-φ-φ	11
1	RX02-DD FLOPPY DISK DRIVE	E-UA-RX02-DD-φ	10
1	RX02-DC FLOPPY DISK DRIVE	E-UA-RX02-DC-φ	9
1	RX02-DA FLOPPY DISK DRIVE	E-UA-RX02-DA-φ	8
1	RX02-BD FLOPPY DISK DRIVE	E-UA-RX02-BD-φ	7
1	RX02-BC FLOPPY DISK DRIVE	E-UA-RX02-BC-φ	6
1	RX02-BA FLOPPY DISK DRIVE	E-UA-RX02-BA-φ	5
1	RX02-AD FLOPPY DISK DRIVE	E-UA-RX02-AD-φ	4
1	RX02-AC FLOPPY DISK DRIVE	E-UA-RX02-AC-φ	3
1	RX02-AA FLOPPY DISK DRIVE	E-UA-RX02-AA-φ	2
1	RXV21 LSI-II RX02 CONTROLLER	D-UA-M8029-φ-φ	1

UNLESS OTHERWISE SPECIFIED DIMENSIONS ARE IN INCHES	
ANGLES 30° 30'	CLASS OF ACCURACY (CHECK ONE)
SURFACE QUALITY IN	NOMINAL DIMENSION RANGE INCHES
QUANTITY & VARIATION	MEDIUM <input type="checkbox"/> ±.008
THIRD ANGLE PROJECTION	PREFERRED <input type="checkbox"/> ±.012
REMOVE BURRS AND BREAK SHARP CORNERS	DRN: BOB MORIN 11/29/78
DO NOT SCALE DWG	CHK'D: [Signature] 1/10/79
MATERIAL	ENG: [Signature] 1/10/79
FINISH	PROJ. ENG: [Signature] 7-8-78
	PROD: [Signature] 7-8-78
	NEXT HIGHER ASSY.
	SCALE NONE
	SHEET 1 OF 1
FIRST USED ON LSI-II	
TITLE RXV21 FLOPPY DISK SYSTEM	
MATERIAL B-DD-RXV21-φ	SIZE CODE D UA
SCALE NONE	NUMBER RXV21-φ-φ
SHEET 1 OF 1	REV.

REVISIONS
CHANGE NO. REV.

DATE 11-29-78
D80 1104C

8

7

6

5

4

3

SIZE CODE DUA M8029-0-0 2

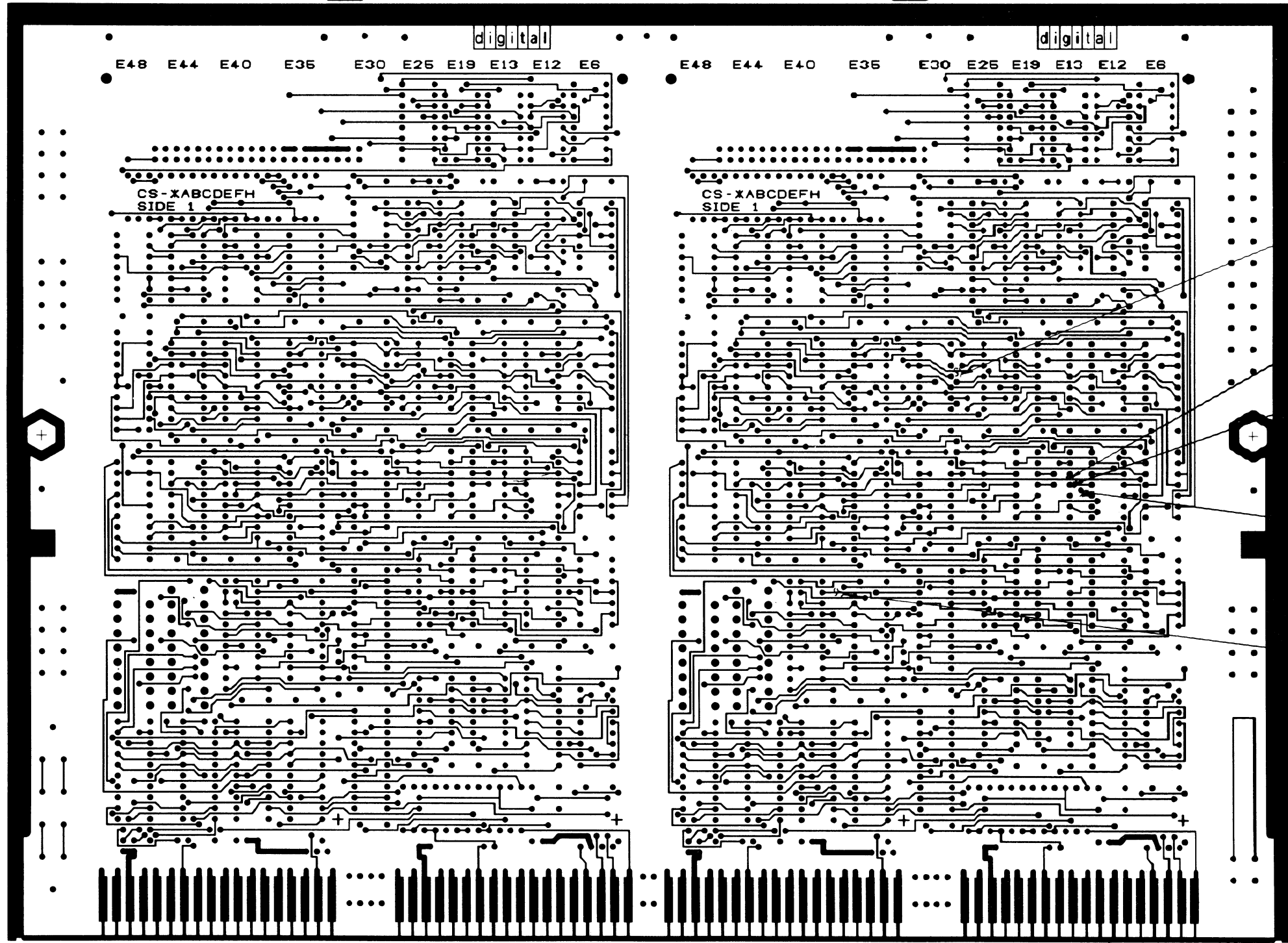
1

"THIS DRAWING AND SPECIFICATIONS, HEREIN, ARE THE PROPERTY OF DIGITAL EQUIPMENT CORPORATION AND SHALL NOT BE REPRODUCED OR COPIED OR USED IN WHOLE OR IN PART AS THE BASIS FOR THE MANUFACTURE OR SALE OF ITEMS WITHOUT WRITTEN PERMISSION. COPYRIGHT © 1977 DIGITAL EQUIPMENT CORPORATION"

M8029 5013080 C L1

LAYER 1

M8029 5013080 C L1



D

C

B

A

D

C

B

A

REVISIONS		
CHK	CHANGE NO	REV

TITLE	RXV21 LSI II RX02 CONTROLLER	SIZE CODE	DUA	NUMBER	M8029-0-0	REV.	E
SCALE	2/1	SHEET	2	OF	6	DIST.	

SIZE CODE DUA M8029-0-0 E

8

7

6

5

4

3

2

1

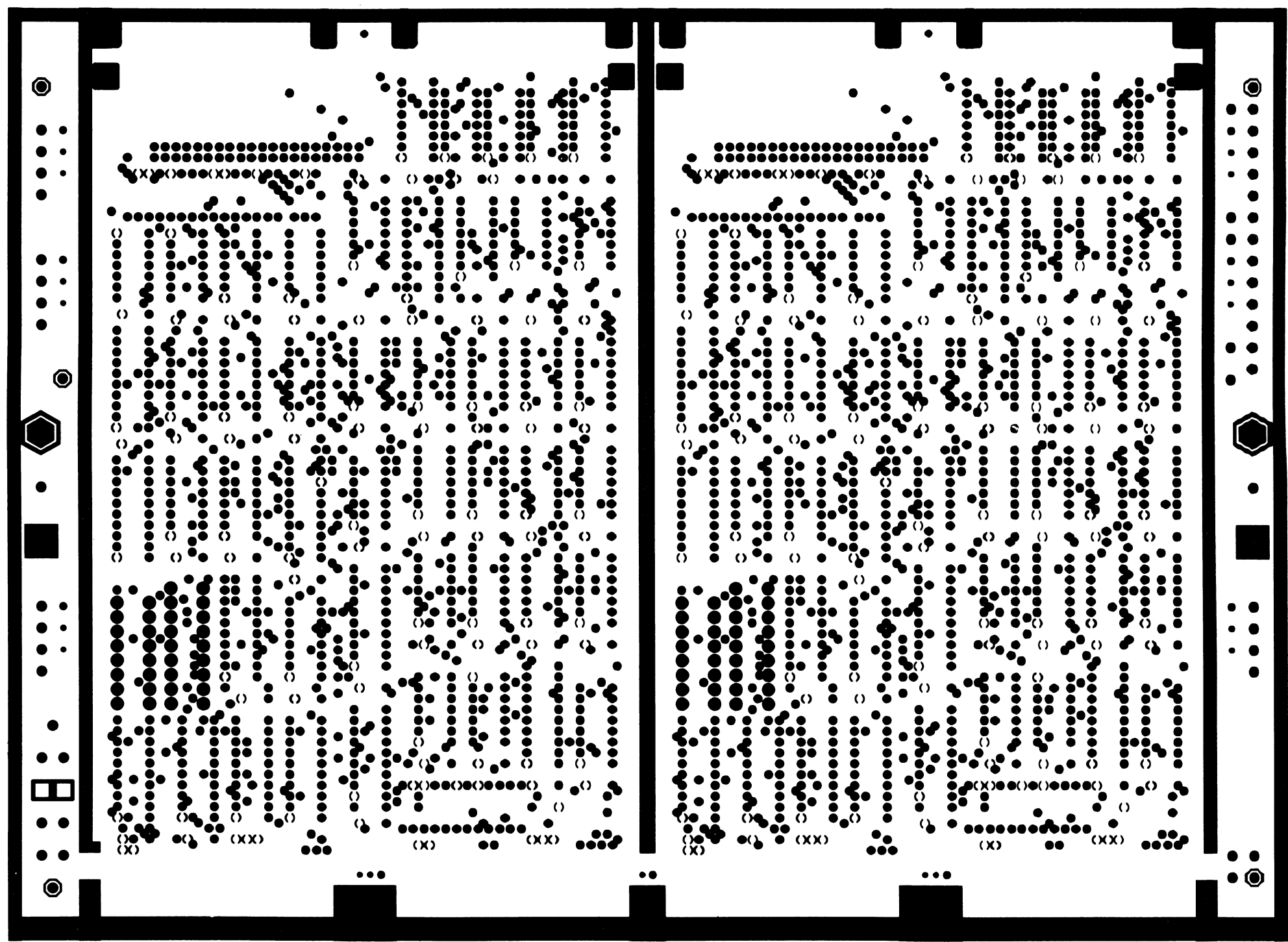
"THIS DRAWING AND SPECIFICATIONS, HEREIN, ARE THE PROPERTY OF DIGITAL EQUIPMENT CORPORATION AND SHALL NOT BE REPRODUCED OR COPIED OR USED IN WHOLE OR IN PART AS THE BASIS FOR THE MANUFACTURE OR SALE OF ITEMS WITHOUT WRITTEN PERMISSION. COPYRIGHT © 1977, DIGITAL EQUIPMENT CORPORATION"

SIZE CODE D U A M8029-0-0 NUMBER 2

M8029 5013080 C L2

LAYER 12

M8029 5013080 C L2



D
C
B
A

D
C
B
A

REVISIONS		
CHK	CHANGE NO	REV

TITLE	RXV21 LSI11 RX02 CONTROLLER	SIZE CODE	D U A	NUMBER	M8029-0-0	REV.	E
SCALE	2/1	SHEET	3	OF	6	DIST.	

"THIS DRAWING AND SPECIFICATIONS HEREIN ARE THE PROPERTY OF DIGITAL EQUIPMENT CORPORATION AND SHALL NOT BE REPRODUCED OR COPIED OR USED IN WHOLE OR IN PART AS THE BASIS FOR THE MANUFACTURE OR SALE OF ITEMS WITHOUT WRITTEN PERMISSION. COPYRIGHT © 1977 DIGITAL EQUIPMENT CORPORATION"

REV. CODE DUA M8029-0-0 2

E 834A J

L3

L3

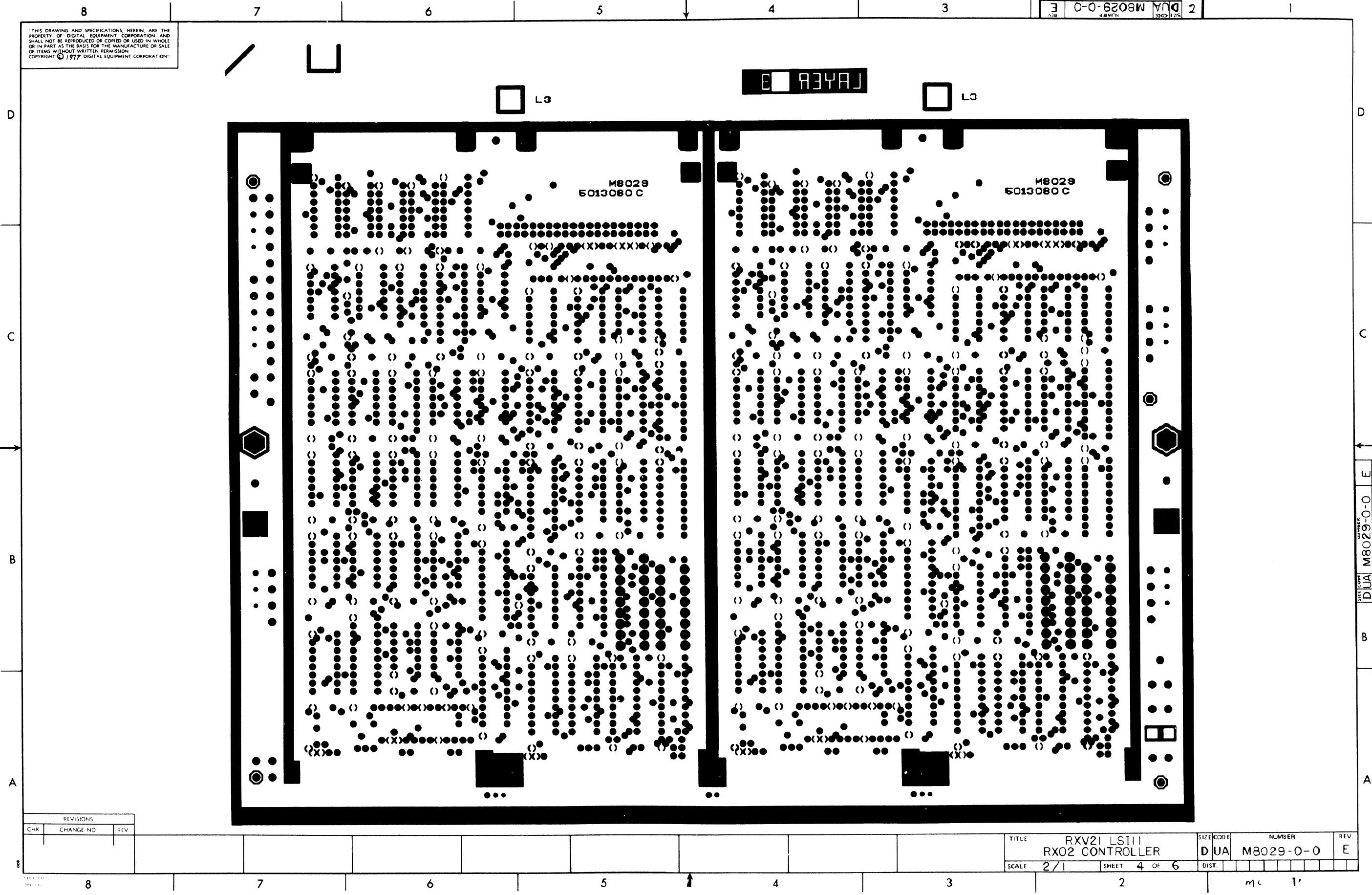
M8029
5013080 C

M8029
5013080 C

REVISIONS		
CHK	CHANGE NO	REV

TITLE	RXV21 LS111 RX02 CONTROLLER	SIZE CODE	DUA	NUMBER	M8029-0-0	REV.	E
SCALE	2/1	SHEET	4 OF 6	DIST			

REV. CODE DUA M8029-0-0 E

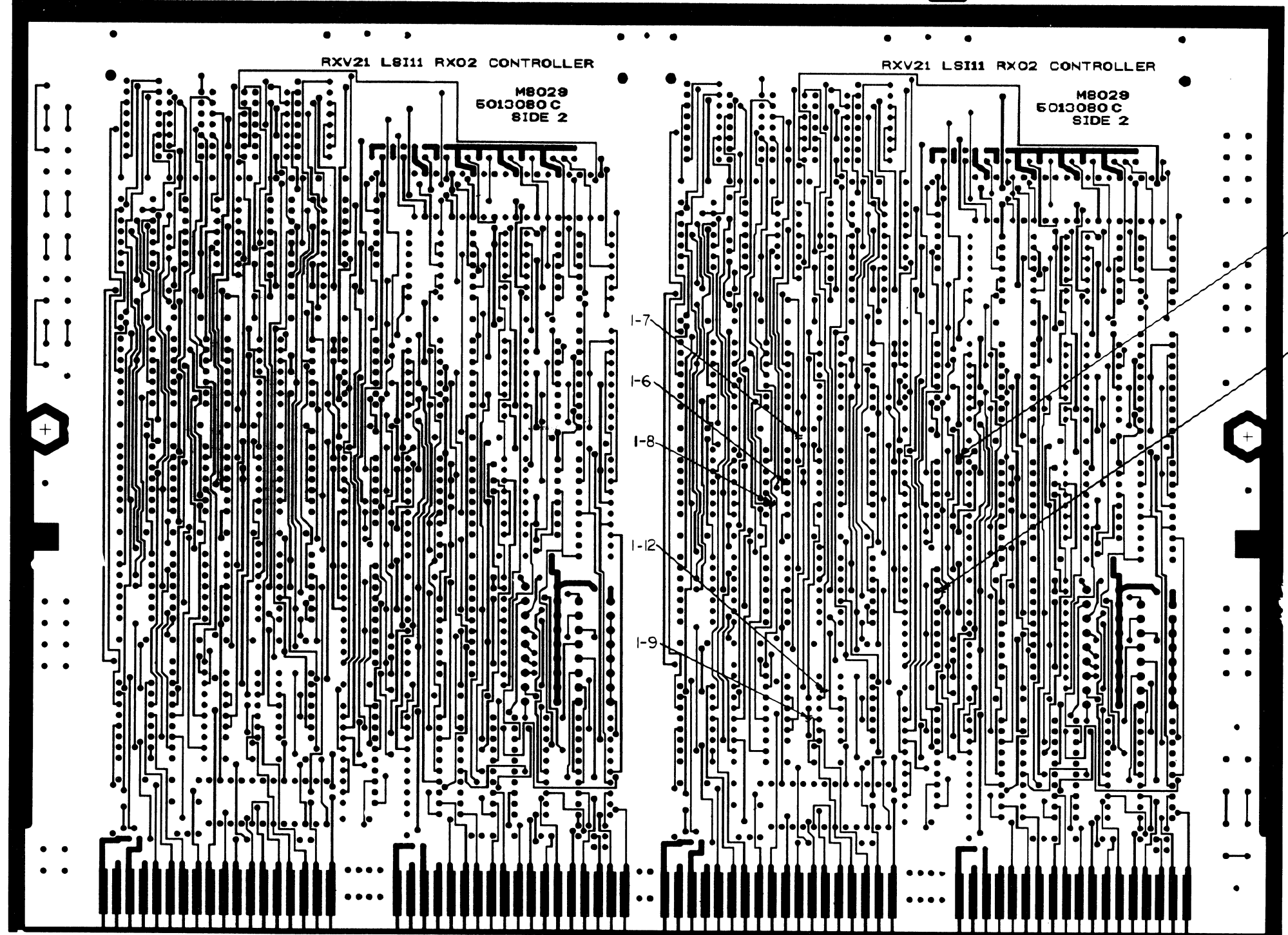


"THIS DRAWING AND SPECIFICATIONS HEREIN ARE THE PROPERTY OF DIGITAL EQUIPMENT CORPORATION AND SHALL NOT BE REPRODUCED OR COPIED OR USED IN WHOLE OR IN PART AS THE BASIS FOR THE MANUFACTURE OR SALE OF ITEMS WITHOUT WRITTEN PERMISSION. COPYRIGHT © 1977, DIGITAL EQUIPMENT CORPORATION."

M 834AJ

L4

L4



RXV21 LSI11 RX02 CONTROLLER

M8029
 6013080C
 SIDE 2

RXV21 LSI11 RX02 CONTROLLER

M8029
 6013080C
 SIDE 2

I-7
 I-6
 I-8
 I-12
 I-9

I-10
 I-11

REVISIONS		
CHK	CHANGE NO	REV

TITLE	RXV21 LSI11 RX02 CONTROLLER	SIZE CODE	DUA	NUMBER	M8029-0-0	REV.	E
SCALE	2/1	SHEET	5 OF 6	DIST.			

THIS DRAWING AND SPECIFICATIONS, HEREIN, ARE THE PROPERTY OF DIGITAL EQUIPMENT CORPORATION AND SHALL NOT BE REPRODUCED OR COPIED OR USED IN WHOLE OR IN PART AS THE BASIS FOR THE MANUFACTURE OR SALE OF ITEMS WITHOUT WRITTEN PERMISSION. COPYRIGHT © DIGITAL EQUIPMENT CORPORATION

REV. E
DUA M8029-0-0

REWORK INSTRUCTIONS:

E.C.O. # 1

COMPONENT DELETE SIDE 1:

- 1-1. DIODE, D1 (P/N 1105275-00)
- 1-2. RESISTOR, R32 (P/N 1300365-00)

ETCH CUT SIDE 1:

- 1-3. FROM E16-12
- 1-4. FROM E16-11
- 1-5. FROM E9-5

ETCH CUT SIDE 2:

- 1-6. FROM E16-11
- 1-7. FROM E16-13 AT FEED-THRU TO RIGHT OF E16-13
- 1-8. FROM E9-5
- 1-9. FROM E-14-11 AT FEED-THRU TO LEFT OF E14-4
- 1-10. FROM R15 AT FEED-THRU TO LEFT OF E33-20
- 1-11. FROM E27-2
- 1-12. FROM E14-3

COMPONENT ADD SIDE 1:

- 1-13. RESISTOR, R32 (P/N 1301322-00)

WIRE ADDS SIDE 1:

- 1-14. FROM E1-3 TO E16-10.
- 1-15. FROM E16-6 TO E16-12.
- 1-16. FROM E16-11 TO E31-4.
- 1-17. FROM E16-13 TO E5-6.
- 1-18. FROM E27-2 TO E5-5
- 1-19. FROM E19-8 TO E9-5
- 1-20. FROM E19-9 TO LOWER END OF R15
- 1-21. FROM E7-6 TO LOWER END OF R15
- 1-22. FROM E9-4 TO UPPER END OF R15
- 1-23. FROM E35-12 TO E35-11
- 1-24. FROM E14-3 TO E35-11
- 1-25. FROM E35-13 TO E35-10.

E.C.O. # 3

WIRE ADDS

- 3-1 ADD WIRE FROM E42-15 TO E39-8.
- 3-2 ADD WIRE FROM E30-12 TO E42-14.
- 3-3 ADD WIRE FROM E42-13 TO E42-12.
- 3-4 ADD WIRE FROM E42-11 TO E33-19.
- 3-5 ADD WIRE FROM E42-11 TO E37-19.

ETCH CUTS SIDE 1

- 3-6 CUT ETCH FROM E37-19 BETWEEN E37 AND E32.
- 3-7 CUT ETCH FROM E23-3 BETWEEN E23 AND E29.

D
C
B
A

D
C
B
A

REVISIONS		
CHK	CHANGE NO.	REV.

TITLE	RXV21 LSII RX02 CONTROLLER	SIZE CODE	DUA	NUMBER	M8029-0-0	REV.	E
SCALE	1/1	SHEET	6	OF	6	DIST.	

LINE ITEM	DOCUMENT NUMBER	PART NUMBER	DESCRIPTION	QTY	REFERENCE DESIGNATOR
1	D-CS-M8029-0-1		CIRCUIT SCHEMATIC		REF
2	D-UA-M8029-0-0		UNIT ASSY		REF
3	B-DD-M8029-0-0		DWG DIRECTORY		REF
4	D-MD-5013080-0-0		DRILL & ETCH DWG		REF
5		5013080-00	M8029	1	
6		1000016-00	100.0 MMF 100V 5%200PPM DM15S	1	C8
7		1000018-00	120.0 MMF 100V 5%200PPM DM15S	2	C20,C21
8		1001610-00	.01 MFD 50V -20+80 25U AXIAL	43	C2-C6,C10-C19,C22-C34,C36-C50
9		1005306-00	6.8MFD 35V 10% S.TANT	2	C1,C35
10		1000042-00	1000.0 MMF 100V 5%200PPM DM15S	1	C7
11		1012121-00	220.0 MMF 100V 1%200PPM DM15S	1	C9
12		1105275-00	*** THIS ITEM IS NOT USED ***	-	
13		1209941-02	HEADER 100 40POS RT ANGLE	1	J1
14		1300247-00	120 1/4W 5% CC	2	R19,R31
15		1300295-00	330 1/4W 5% CC	4	R5,R7,R10,R13
16		1300309-00	390 1/4W 5% CC	6	R17,R20,R23,R24,R28,R30
17		1300365-00	1 K 1/4W 5% CC	4	R3,R14,R16,R26
18		1300479-00	10 K 1/4W 5% CC	1	R1
19		1301322-00	180 1/4W 5% CC	7	R18,R21,R22,R25,R27,R29,R32
20		1301424-00	680 1/4W 5% CC	4	R6,R8,R11,R12
21		1301972-00	270 1/4W 5% CC	1	R9
22		1305265-00	39.2 K 1/4W 1% RN55D-F 100PPM	1	R2
23		1304856-00	4.64 K 1/4W 1% RN55D-F 100PPM	1	R4
24		1909705-00	DEC 8881 NAND GATE-QUAD 2IN 0	2	E20,E35
25		1910155-00	DEC 7408 AND GATE, POS. QUAD 2I	1	E16
26		1910436-00	DEC 74123 ONE SHOT-DUAL, RETRIG	1	E6
27		1910544-00	74S74 FF-D DUAL, EDGE TRIGG	1	E10
28		1910650-00	74161 COUNTER, SYNCHR. UP	1	E25
29		1911469-00	DEC 8640 RECEIVER, BUS, QUAD, U	3	E14,E44,E48
30		1911527-00	8097 BUFFER GATE-HEX 2INP	3	E38,E39,E42

REVISION HISTORY			SECTION 1 OF 1	RESP. ENG.: JENNY RYAN	DATE: 11-MAY-78	DIGITAL			
ENG	ECO NUMBER	REV	SECTION, VARIATION INDEX	MADE BY: STEVE MARLOW	DATE: 11-MAY-78	TITLE PARTS LIST			
W.H	100000	B		CHECKED: W.CASSIDY	DATE: 11-MAY-78	RXV21 LS111 RX02 CONTROLLER			
W.H	100001	C	1.00	DSN. ENG.: JENNY RYAN	DATE: 11-MAY-78	SIZE	CODE	DOCUMENT NUMBER	REV
C.Y	ML002	D	2.	PROD.: K.MERCADO	DATE: 11-MAY-78	K	PL	M8029-0-DBP	D
			3.	ASSEMBLY NUMBER: D-UA-M8029-0-0					EDIT #
			4.						11
			5.						
			6.						
			7.						
			8.						
			9.						
			10.						
			11.						
			12.						

"THIS DRAWING AND SPECIFICATIONS HEREIN, ARE THE PROPERTY OF DIGITAL EQUIPMENT CORPORATION AND SHALL NOT BE REPRODUCED OR COPIED OR USED IN WHOLE OR IN PART AS THE BASIS FOR THE MANUFACTURE OR SALE OF ITEMS WITHOUT WRITTEN PERMISSION.

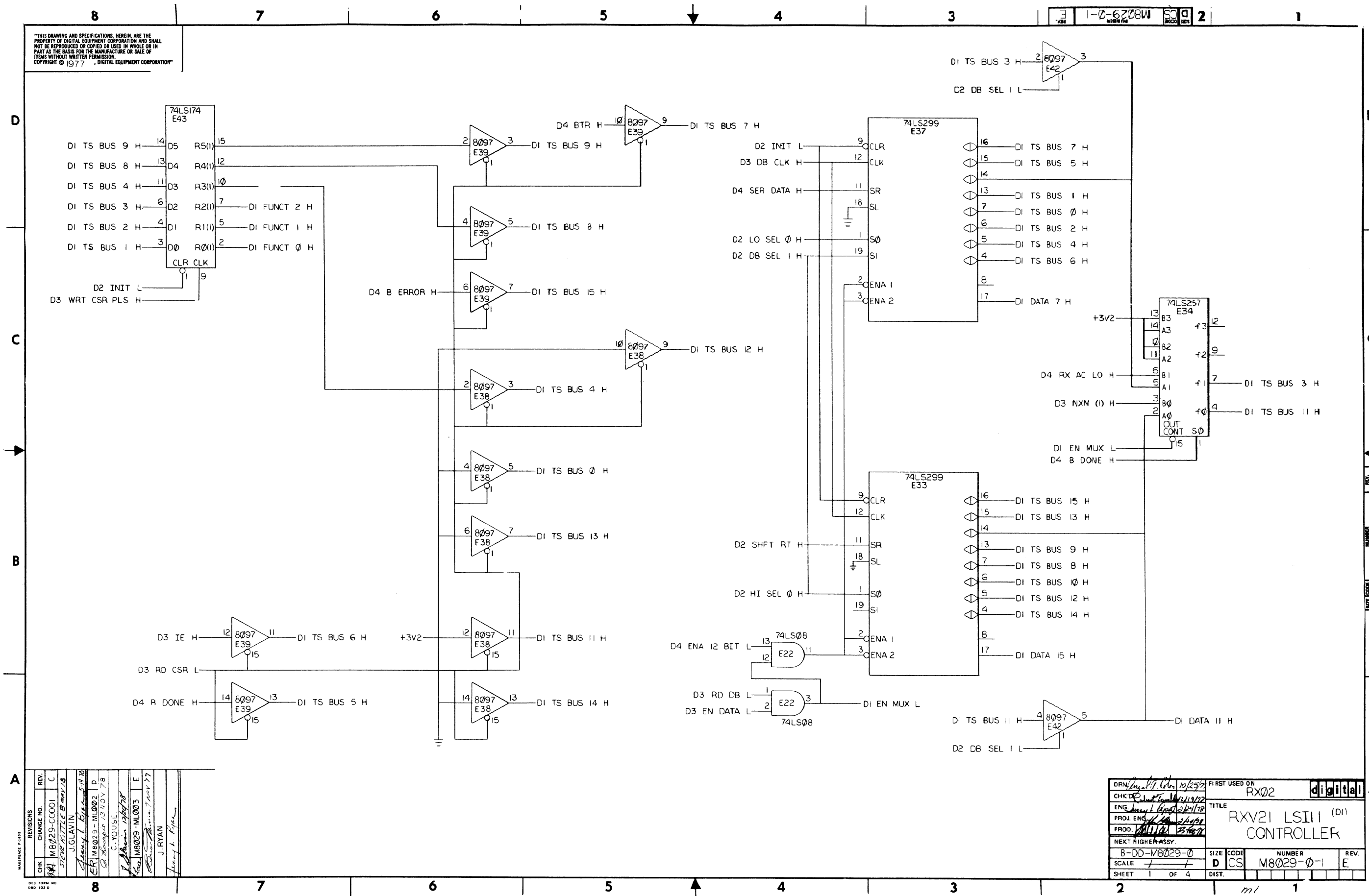
COPYRIGHT 1979, DIGITAL EQUIPMENT CORPORATION "

LINE	ITEM	DOCUMENT NUMBER	PART NUMBER	DESCRIPTION	QTY	REFERENCE DESIGNATOR
31	31		1911579-00	B641 TRANSCETIVER,BUS,ONA	1	E1
32	32		1912647-00	LS257 MUX 1 OF 2 (QUAD)	1	E34
33	33		1912697-00	LS174 FF-D HEX W/CLEAR	1	E43
34	34		1912729-00	DC 004 PROTOCOL,REG, SELECT	1	E27
35	35		1912730-00	DC 003 INTERRUPT,2 CIRCUIT	1	E26
36	36		1912799-00	LS00 NAND-GATE-QUAD 2IN,P	1	E9
37	37		1912801-00	LS02 NOR-GATE-QUAD 2IN	3	E3,E11,E21
38	38		1912803-00	LS04 INVERTER GATE-HEX 1I	2	E15,E19
39	39		1912805-00	LS08 AND GATE-QUAD 2IN,PO	1	E22
40	40		1912807-00	LS10 NAND GATE-TRIPLE 3IN	2	E17,E30
41	41		1912816-00	LS32 OR GATE-QUAD 2IN,POS	3	E2,E28,E40
42	42		1912824-00	LS74 FF-D DUAL,EDGE TRIGG	3	E5,E12,E29
43	43		1912849-00	LS161 COUNTER,SYNCHR,4BIT	1	E32
44	44		1912868-00	LS299 SHIFT REG. 8-BIT UNI	2	E33,E37
45	45		1913040-00	DC 005 TRANSCIEVER 4BIT	4	E31,E36,E41,E45
46	46		1914035-00	DC 006 BIPOLAR,BUS ADDRESS	2	E46,E47
47	47		1914038-00	DC 010 BIPOLAR,MEM ADDRESS,L	1	E7
48	48		1811660-12	OSCILLATOR, CRYSTAL 8.2000MHZ	1	E8
49	49		1912821-00	LS54 A-O-I GATE,3-2-2-3IN	1	E13
50	50		1910652-00	74174 FF-D HEX	1	E18
51	51		1909686-00	7404 INVERTER GATE-HEX 1I	1	E23
52	52		1909004-00	DEC 7402 NOR GATE-QUAD 2IN	1	E4
53	53		2303981-00	B1-01	1	E24
54	54		9006732-00	EYELET, ROLLED FLANGE, .121 OD X	4	
55	55		9008337-06	HANDLE, FLIP CHIP, MAGENTA	1	
56	56		9009149-01	PIN, STAKING, P.C.BOARD .025 SQ	34	
57	57		9009185-00	JUMPER, WIRE, INSULATED, BLACK B	1	W1
58	58		9009781-00	SPACER, MODULE, MAGENTA	1	
59	59		9105740-55	WIRE(WRAP)30AWG UL1423	12	W2-W5,W8-W12,W14,W15,W17
60	60		1303114-00	1.0 K 1/4W 1% RN55D-F 100PPM	1	R15
61	61		1209941-03	HEADER RT ANGLE LEFT L	1	
62	62		1209941-04	HEADER RT ANGLE,RIGHT	1	
63	63		9105740-55	WIRE(WRAP)30AWG UL1423	A/R	

D	I	G	I	T	A	L	TITLE	SECTION	1	OF	1	SIZE	CODE	DOCUMENT NUMBER	REV
							RKV21 LSI11 RX02 CONTROLLER					K	PL	M8029-0-DBP	D

THIS DRAWING AND SPECIFICATIONS, HEREIN, ARE THE PROPERTY OF DIGITAL EQUIPMENT CORPORATION AND SHALL NOT BE REPRODUCED OR COPIED OR USED IN WHOLE OR IN PART AS THE BASIS FOR THE MANUFACTURE OR SALE OF ITEMS WITHOUT WRITTEN PERMISSION.
 COPYRIGHT © 1977, DIGITAL EQUIPMENT CORPORATION

1-0-6208W 2

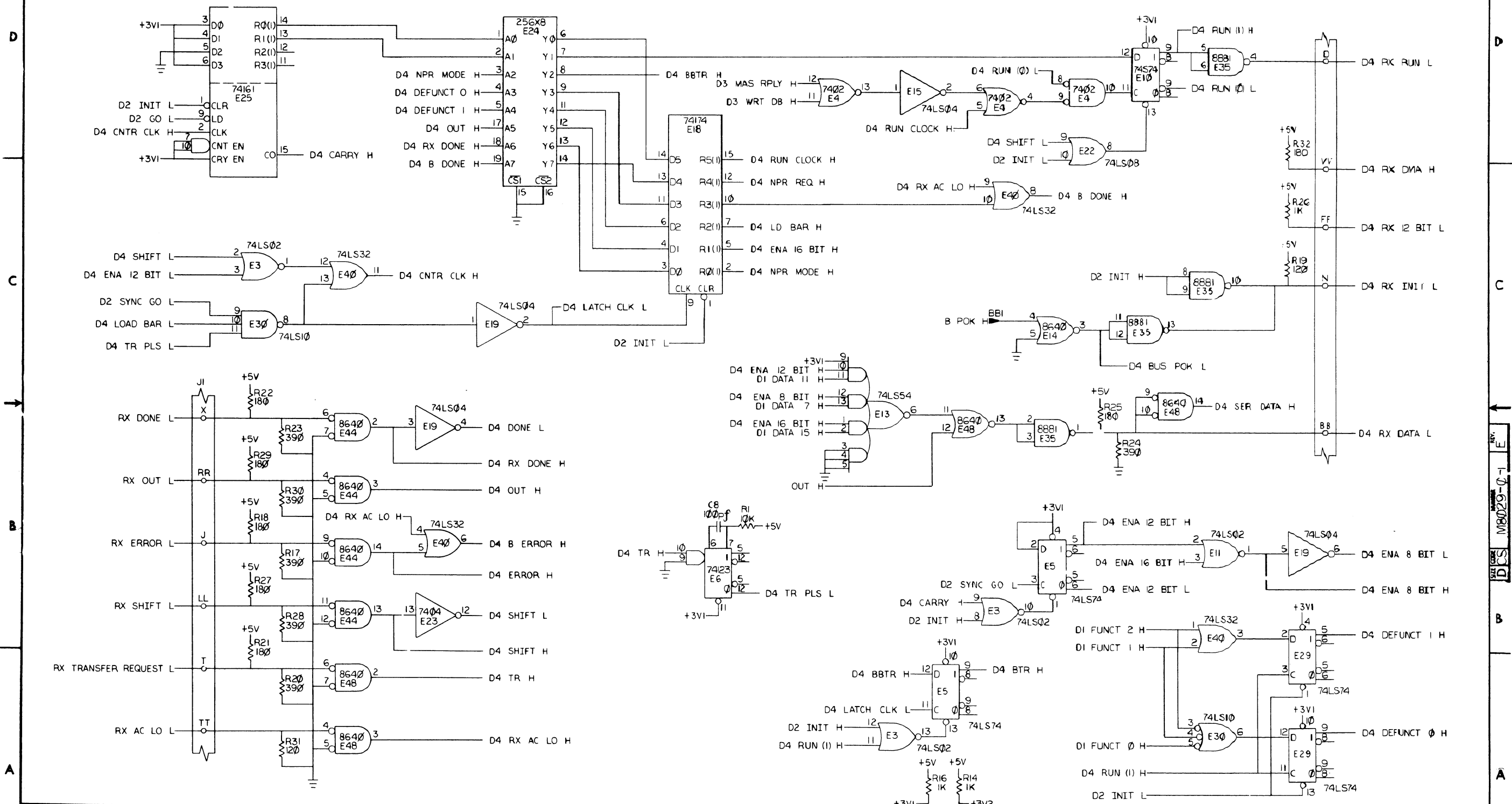


REV.	CHG.	NO.	DATE	BY	CHK.
C					
D					
E					

DRW: <i>[Signature]</i>	CHK: <i>[Signature]</i>	ENG: <i>[Signature]</i>	PROJ. ENG: <i>[Signature]</i>	PROD: <i>[Signature]</i>	FIRST USED ON: RX02	TITLE: RXV21 LSII (DI) CONTROLLER
NEXT HIGHER ASSY: B-DD-M8029-0			SCALE: 1 OF 4	SHEET: 1 OF 4	SIZE: D CS	NUMBER: M8029-0-1

REV. E
 M8029-0-1

"THIS DRAWING AND SPECIFICATIONS HEREIN ARE THE PROPERTY OF DIGITAL EQUIPMENT CORPORATION AND SHALL NOT BE REPRODUCED OR COPIED OR USED IN WHOLE OR IN PART AS THE BASIS FOR THE MANUFACTURE OR SALE OF ITEMS WITHOUT WRITTEN PERMISSION. COPYRIGHT © 1977 DIGITAL EQUIPMENT CORPORATION"



REVISIONS		
CHK	CHANGE NO.	REV.

8	7	6	5	4	3	2	1		
TITLE: RXV21 LSII CONTROLLER (D4)							SIZE: CODE E	NUMBER: M8029-0-1	REV.: E
SCALE: / / /							SHEET: 4 OF 4	DIST: / / /	

REV. E M8029-0-1 DCS

