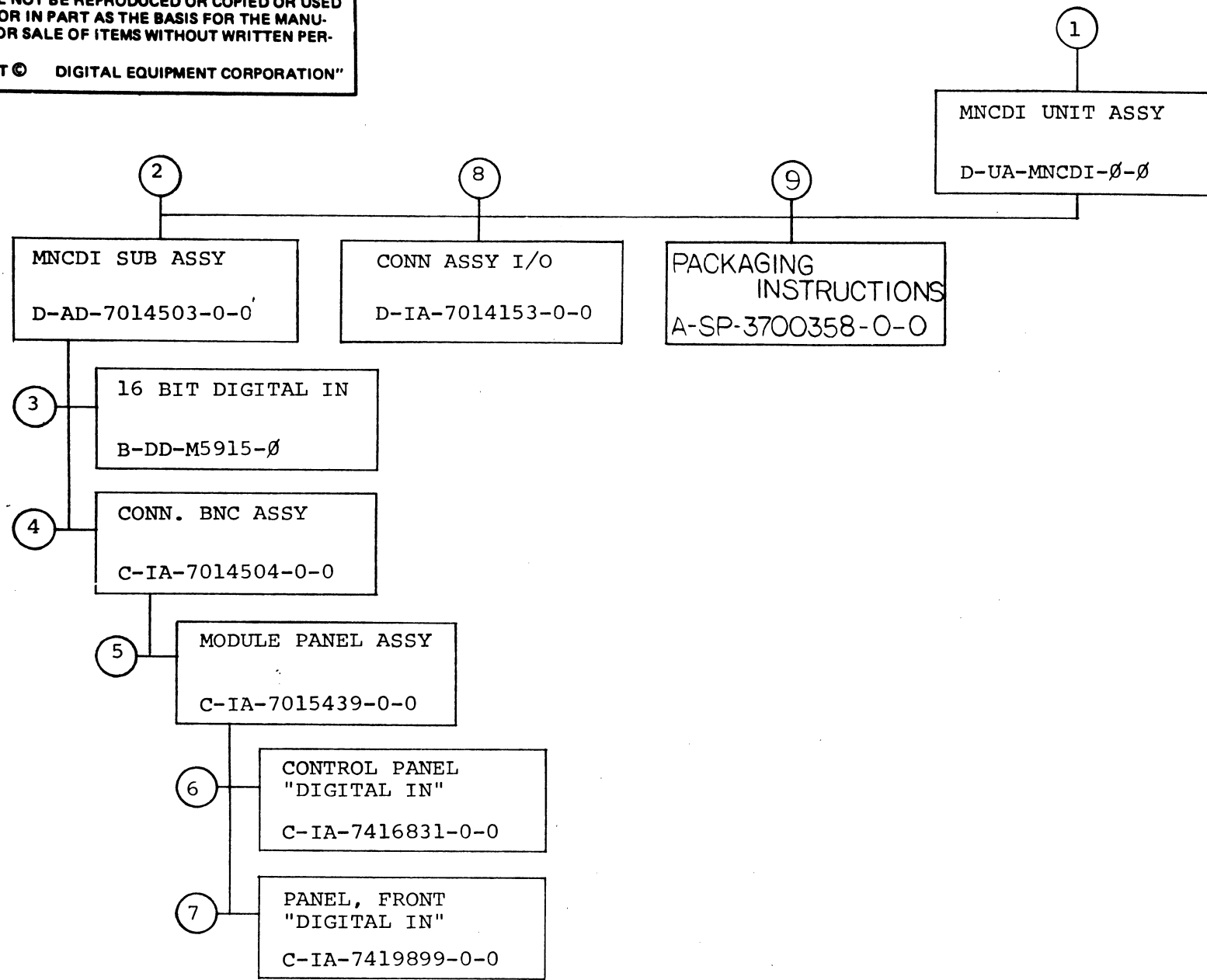


"THIS DRAWING AND SPECIFICATIONS, HEREIN, ARE THE PROPERTY OF DIGITAL EQUIPMENT CORPORATION AND SHALL NOT BE REPRODUCED OR COPIED OR USED IN WHOLE OR IN PART AS THE BASIS FOR THE MANUFACTURE OR SALE OF ITEMS WITHOUT WRITTEN PERMISSION.
 COPYRIGHT © DIGITAL EQUIPMENT CORPORATION"

REV | NUMBER | SIZE | CODE



TITLE	MNCDI UNIT ASSY	SIZE CODE	NUMBER	REV
		B DD	MNCDI-Ø	B
	SHEET 2 OF 3			

FIND NO.	DRAWING NO.	DESCRIPTION	TYPE	FIND NO.	DRAWING NO.	DESCRIPTION	TYPE
1	MP0595	FIELD MAINTENANCE PRINT SET	-				
	B-TC-MNCDI-0-1	FIELD MAINTENANCE PRINT SET	-	5	C-IA-7015439-0-0	MODULE PANEL ASSY	M
	D-UA-MNCDI-0-0	MNCDI UNIT ASSY	E/M				
	C-MD-7419869-00	PLATE, COMP SIDE	M				
	C-MD-7419868-0-0	PLATE, ETCH SIDE	M				
	A-DC-3615260-0-0	DECAL, I/O SCHEMATIC	E/M				
	A-DC-3615264-0-0	DECAL, INFORMATION (MNCDI)	E/M				
	A-PL-MNCDI-0-5	PARTS LIST MNCDI	E/M				
	A-PL-MNCDI-0-SH	SHIP LIST MNCDI	E/M				
	A-SP-MNCDI-0-2	MNCDI ENGINEERING SPEC.	E/M				
	A-SP-MNCDI-0-3	CHECKOUT & ACCEPTANCE PROCEDURE	E/M	6	C-IA-7416831-0-0	CONTROL PANEL "DIGITAL IN"	M
	A-SP-MNCDI-0-4	INSTALLATION & ACCEPTANCE PROCEDURE	E/M		C-SS-7416831-01	CONTROL PANEL	M
					C-SS-7416831-02	CONTROL PANEL	M
					C-SS-7416831-03	CONTROL PANEL	M
					C-SS-7416819-02	CONTROL PANEL	M
2	D-AD-7014503-0-0	MNCDI SUB-ASSY	E/M				
	C-IA-7419863-0-0	SUB PANEL DI	M				
	B-MD-7420242-0-0	SPACER, MODULE	M				
	B-IA-7420635-0-0	BUTTON SWITCH (MODIFIED)	M				
				7	C-IA-7419899-0-0	PANEL, FRONT "DIGITAL IN"	M
					C-PS-4830032-0-0	EXTRUSION, FRONT PANEL "D"	M
3	B-DD-M5915-0	16 BIT DIGITAL IN	E/M				
	A-PL-M5915-0-0	DIGITAL INPUT	E/M				
	I-UA-M5915-0-0	DIGITAL INPUT	E/M				
	D-CS-M5915-0-i	DIGITAL INPUT	E/M				
				8	D-IA-7014153-0-0	CONN ASSY I/O	E/M
					A-DC-7417640-0-0	DECAL, I/O CONNECTOR	E/M
					A-DC-7418934-6-0	DECAL, I.D. I/O CONNECTOR	E/M
4	C-IA-7014504-0-0	CONN. BNC ASSY (MNCDI)	E/M				
				9	A-SP-3700358-0-0	PACKAGING INSTRUCTIONS	M

TYPE: E ELECTRICAL
M MECHANICAL
E/M ELECTRO/MECHANICAL

digital

TITLE
MNCDI UNIT ASSY

SHEET 3 OF 3

SIZE CODE
B DD

NUMBER
MNCDI-0

REV
B

THIS DRAWING AND SPECIFICATIONS, FIGURES, AND THE PROPERTY OF DIGITAL EQUIPMENT CORPORATION AND SHALL NOT BE REPRODUCED OR COPIED IN WHOLE OR IN PART IN ANY MANNER FOR THE MANUFACTURE OR SALE OF ITEMS WITHOUT WRITTEN PERMISSION. COPYRIGHT © 1977 DIGITAL EQUIPMENT CORPORATION

COMPONENT SIDE VIEW

SIDE 1

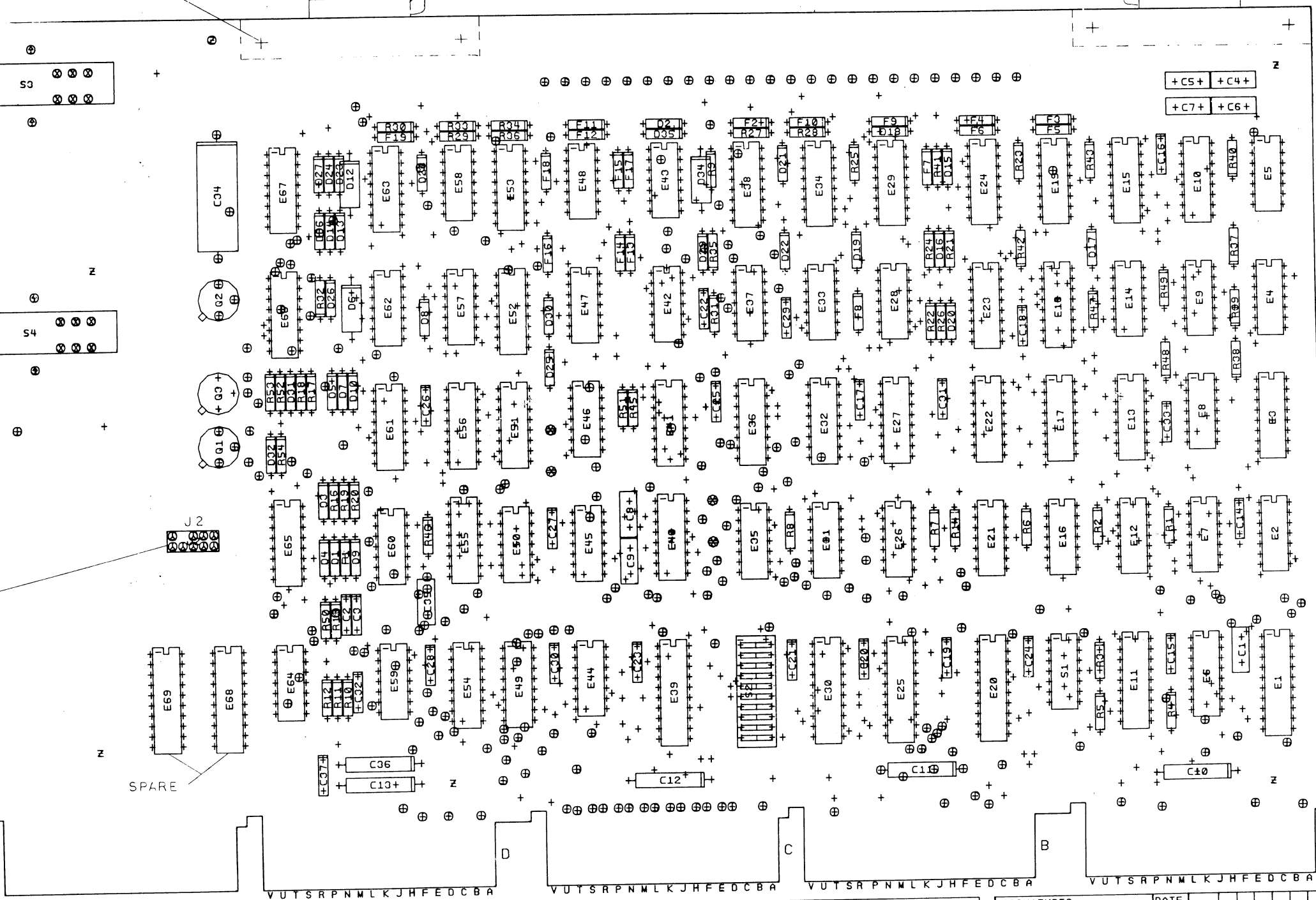
55 (QTY 4)

54

57 } (QTY 2)
58 } TYP 2 PLC'S
59 }

SEE NOTE #1

SPARE



NOTES: 1. PIN TO BE REMOVE

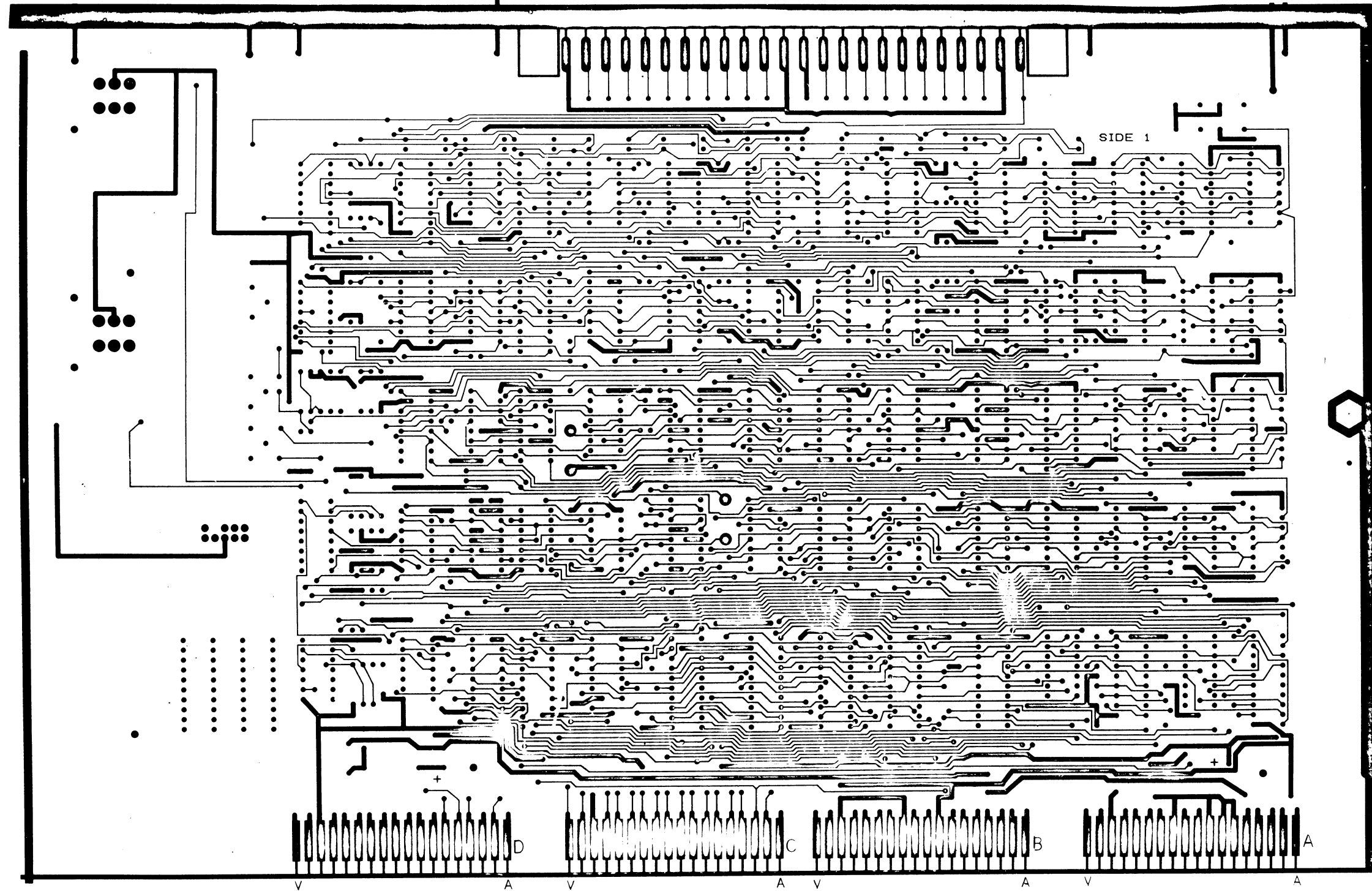
CHK	CHANGE NO	REV
ES	M5915-M5915-C	1
A	FILZ	1

ETCH REV.	C
P.C. DESIGN DATA BASE REV.	C

SIGNATURES	DATE	digital
DRN. <i>P. W. ...</i>	3/15/77	
CHK'D. <i>R. W. ...</i>	2/26/77	
ENG. <i>J. ...</i>	3/12/77	
PROJ. ENG. <i>G. ...</i>	3/12/77	
SCALE	2/1	TITLE
SHT. OF 4		DIGITAL INPUT
NEXT HIGHER ASSY. B-DD-M5915-0		SIZE CODE
		NUMBER
		0 UA M5915-0-0
		REV
		C

THIS DRAWING AND SPECIFICATIONS HEREIN ARE THE PROPERTY OF DIGITAL EQUIPMENT CORPORATION AND SHALL NOT BE REPRODUCED OR COPIED OR USED IN WHOLE OR IN PART AS THE BASIS FOR THE MANUFACTURE OR SALE OF ITEMS WITHOUT WRITTEN PERMISSION. COPYRIGHT © 1977 DIGITAL EQUIPMENT CORPORATION.

M5915 5012113C



REVISIONS		
CHK	CHANGE NO	REV

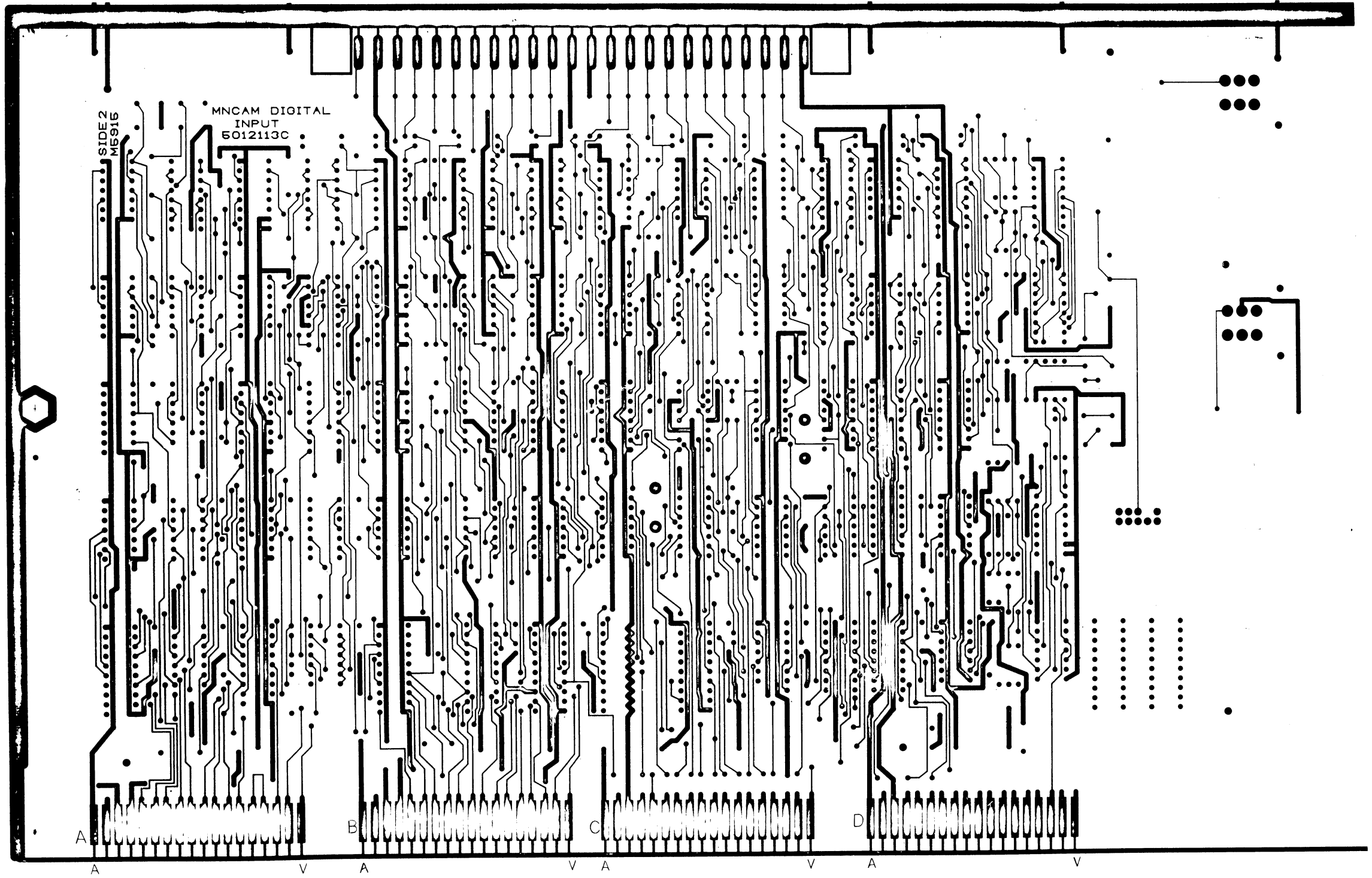
TITLE
DIGITAL INPUT
SCALE 2/1

SIZE CODE
DUA
NUMBER
M5915-0-0
DIST

REV.
C

SHEET 2 OF 4

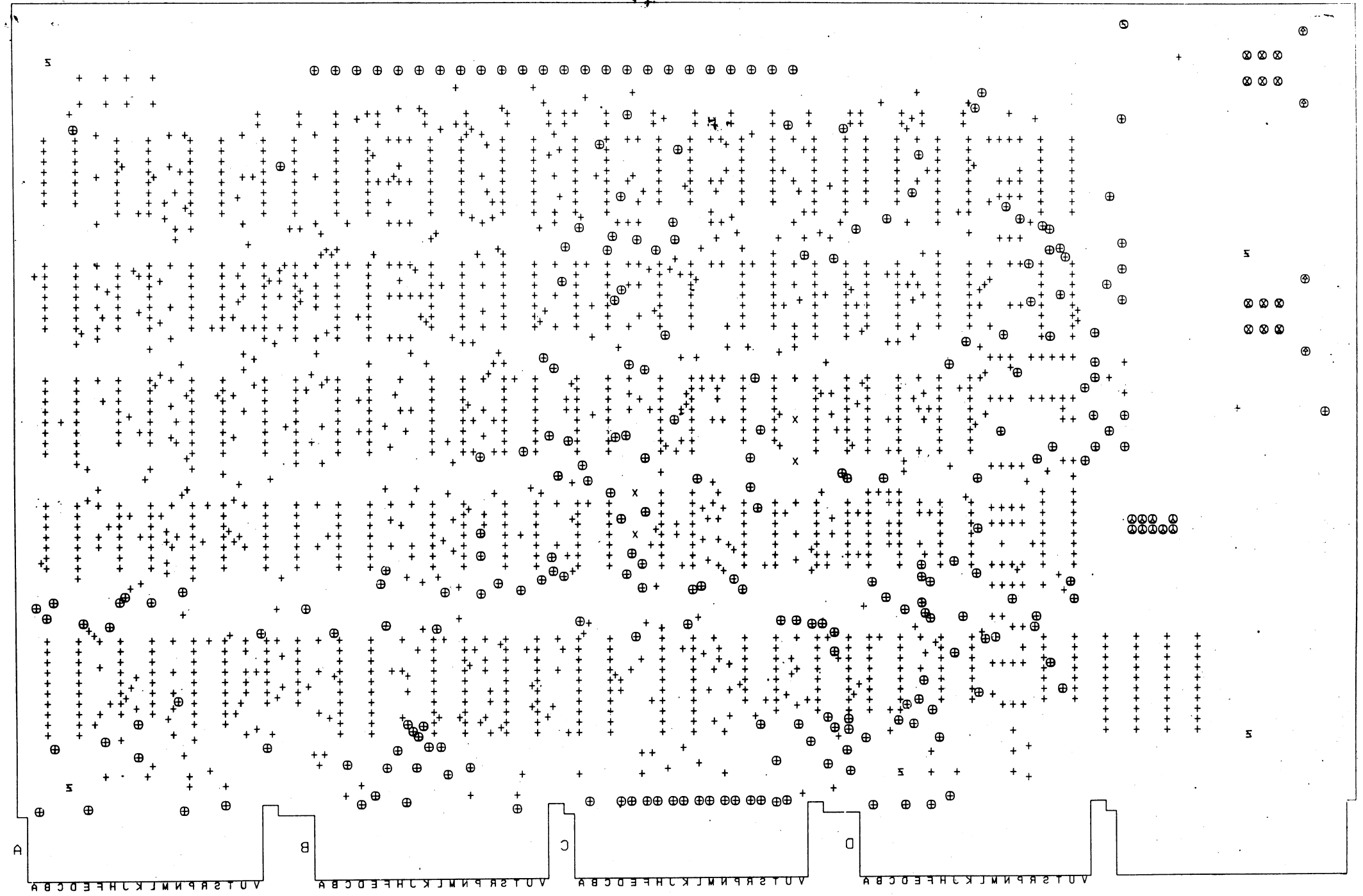
THIS DRAWING AND SPECIFICATIONS HEREIN ARE THE PROPERTY OF DIGITAL EQUIPMENT CORPORATION AND SHALL NOT BE REPRODUCED OR COPIED OR USED IN WHOLE OR IN PART AS THE BASIS FOR THE MANUFACTURE OR SALE OF ITEMS WITHOUT WRITTEN PERMISSION. COPYRIGHT © 1977 DIGITAL EQUIPMENT CORPORATION.



REVISIONS		
CHK	CHANGE NO	REV

TITLE	SIZE CODE	NUMBER	REV.
DIGITAL INPUT	D	UA M5915-0-0	C
SCALE 2/1	SHEET 3 OF 4	DIST.	

THIS DRAWING AND SPECIFICATIONS HEREIN ARE THE PROPERTY OF DIGITAL EQUIPMENT CORPORATION AND SHALL NOT BE REPRODUCED OR COPIED OR USED IN WHOLE OR IN PART AS THE BASIS FOR THE MANUFACTURE OR SALE OF ITEMS WITHOUT WRITTEN PERMISSION.
 COPYRIGHT © 1977 DIGITAL EQUIPMENT CORPORATION



REVISIONS		
CHK	CHANGE NO	REV

TITLE	SIZE CODE	NUMBER	REV.
DIGITAL INPUT.	D	AM5915-0-0	C
SCALE 2/1	SHEET 4	OF 4	DIST.

LINE	ITEM	DOCUMENT NO.	PART NO.	DESCRIPTION	QTY	REFERENCE DESIGNATORS
1	1	D-MD-5012113-0-0	5012113-00	M5915	1	
2	2		1000020-00	100.0 MME 100V 5%200PPM DM15S	(10-00)	1 C1
3	3		1012784-00	.047 MFD 50V X% CER.		23 C2,C3,C14-C33,C37
4	4		1000026-00	680.0 MME 100V 5%200PPM DM15S	(10-00)	4 C4-C7
5	5		1030014-00	68.0 MME 100V 5%200PPM DM15S	(10-00)	1 C8
6	6		1000021-00	220.0 MME 100V 5%200PPM DM15S	(10-00)	2 C9,C35
7	7		1004812-00	15 MFD 20V 10% 1500 S.TA	(10-00)	5 C10-C13,C36
8	8		1105796-00	1N 4004 PIV=400 IB=1A D041 SP		14 D1,D3,D4,D5,D7-D10,D13,D14, CONT D31,D32,D35,D36
9	9		1109943-00	1N 4733A VZ= 5.1 5% 1W Y		17 D2,D15-D30
10	10		1110232-00	MCL1304 CL04MA FROM10-80V		3 D6,D12,D34
11	11		1211164-06	SW,DIP 1P 1A 10POS		1 S2
12	12		1211164-03	SW,DIP 1P 1A 7POS		1 S1
13	13		1300365-00	1 K 1/4W 5% CC	(13-00)	14 R1,R6-R8,R14,R19,R20,R41-R43, CONT R46-R49
14	14		1300295-00	330 1/4W 5% CC	(13-00)	8 R2,R4,R10,R12,R16,R18,R52,R54
15	15		1301421-00	680 1/4W 5% CC	(13-00)	2 R3,R5
16	16		1300439-00	3.3 K 1/4W 5% CC	(13-00)	17 R9,R21-R36
17	17		1310881-01	330 1/4W 1% FUSIBLE		3 R11,R17,R53
18	18		1300426-00	2.7 K 1/4W 5% CC	(13-00)	1 R13
19	19		1300271-00	220 1/4W 5% CC	(13-00)	4 R37-R40
20	20		1301874-00	5.6 K 1/4W 5% CC	(13-00)	2 R45,R51
21	21		1300309-00	390 1/4W 5% CC	(13-00)	1 R50
22	22		1300005-01	R NETWORK 13-1K RESISTORS 5% DIP	(13-00)	1 E48
23	23		1502155-00	DEC1008 NPN 5WC SI 45 25 M		3 Q1,Q2,Q3
24	24		1912729-00	DC 004 PROTOCOL,REG. SELECTOR		1 E1
25	25		1912801-00	LS02 NOR-GATE-QUAD 2IN		2 E2,E7
26	26		1912951-00	DM 8556 COUNTER,BINARY,4BIT		4 E3,E27,E36,E56
27	27		1909686-00	7404 INVERTER GATE-HEX 1IN		1 E4
28	28		1912829-00	LS86 X-OR GATE-QUAD 2IN		1 E5

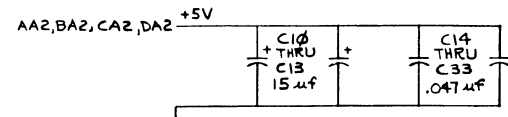
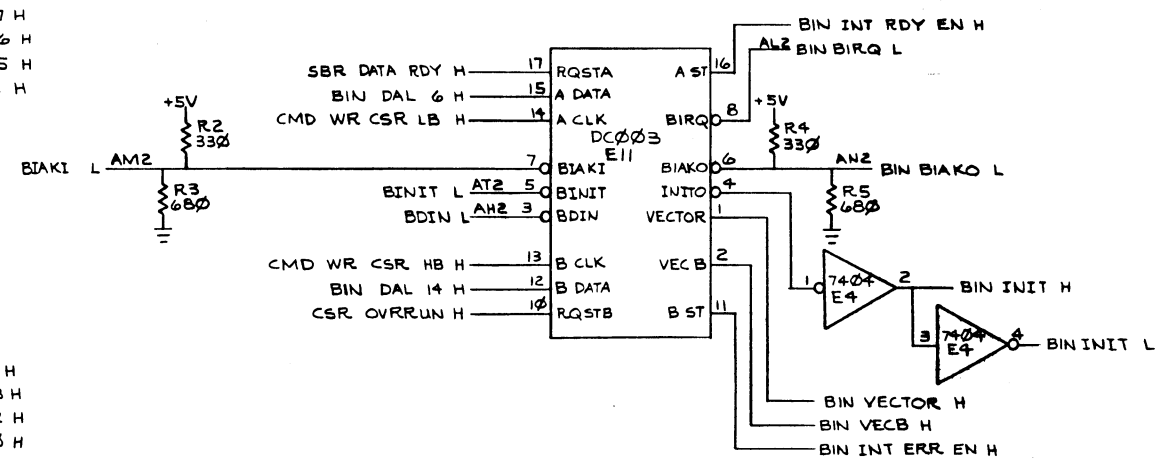
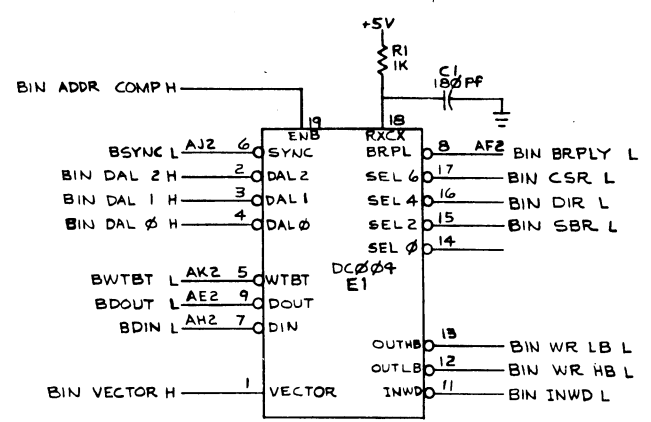
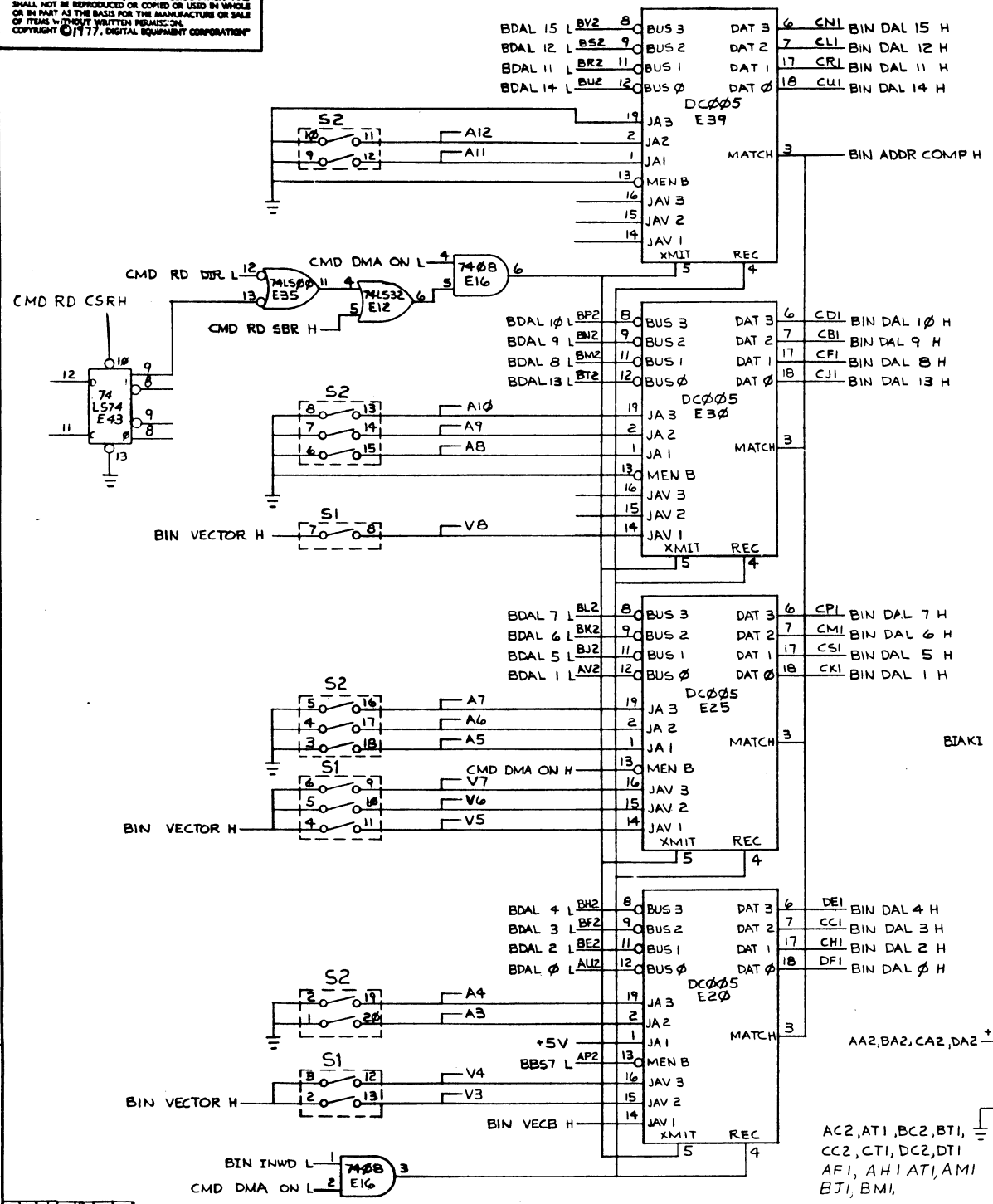
REVISION HISTORY			VARIATIONS FOR THIS ASSY.		FIRST USED ON:		DIGITAL EQUIPMENT CORPORATION MAYNARD, MASSACHUSETTS		
CHK	ECO NO	REV			MADE BY:	DATE:	TITLE		
---	INIT	B			F. WILSON	8-NOV-77	PARTS LIST		
ER	00001	C			CHECKED: F.W. CAUNTER	2-DEC-77	DIGITAL INPUT		
					DSN. ENG.: T. ARRIGHI	3-DEC-77			
					PROD.: B. RILEYBEAU	12-JAN-78		SIZE: CODE: DOCUMENT NUMBER	REV
								K PL M5915-0-0	C
					RESP. ENG.: A. FILZ	3-DEC-77	ASSY. NO.: D-0A-M5915-0-0		EDIT#
									7

"THIS DRAWING AND SPECIFICATIONS HEREIN, ARE THE PROPERTY OF DIGITAL EQUIPMENT CORPORATION AND SHALL NOT BE REPRODUCED OR COPIED OR USED IN WHOLE OR IN PART AS THE BASIS FOR THE MANUFACTURE OR SALE OF ITEMS WITHOUT WRITTEN PERMISSION. COPYRIGHT 1978. DIGITAL EQUIPMENT CORPORATION"

LINE	ITFM	DOCUMENT NO.	PART NO.	DESCRIPTION	QTY	REFERENCE DESIGNATORS
29	29		1929934-00	R266 MUS 1 OF 2 (QUAD)	11	E6,E10,E15,E22,E23,E29,E41, CONT E51,E63,E65,E66
30	30		1912800-00	LS01 NAND-GATE-QUAD 2IN,POS. OPN CO	4	E8,E28,E42,E57
31	31		1912824-00	LS74 FF-D DUAL,EDGE TRIGGER,POS	11	E9,E14,E21,E33,E37,E43,E45, CONT E46,E47,E58,E63
32	32		1912730-00	DC 003 INTERRUPT,2 CIRCUIT	1	E11
33	33		1912816-00	LS32 OR GATE-QUAD 2IN,POSITIVE	2	F12,E60
34	34		1912647-00	LS257 MUX 1 OF 2 (QUAD) TRI-STA	4	E13,E18,E32,E61
35	35		1910155-00	DEC 7408 AND GATE,POS.QUAD 2IN 14	1	E16
36	36		1910651-00	DEC 74175 FF-D QUAD	1	E17
37	37		1909935-00	8235 MUX 1 OF 2 (QUAD) OPN COLLEC	4	E19,E34,E52,E53
38	38		1913040-00	DC 005 TRANSCIVER 4BIT	4	E20,E25,E30,E39
39	39		1911116-00	DEC 8837 RECEIVER,BUS,HEX,UNIBUS	3	E24,E38,E67
40	40		1911469-00	DEC 8640 RECEIVER,BUS,QUAD,UNIBUS,Q-BU	1	E26
41	41		1911324-00	7414 NAND-GATE-HEX 1IN SCHMITT TRIG	1	E31
42	42		1912799-00	LS00 NAND-GATE-QUAD 2IN,POSITIVE	2	E35,E59
43	43		1910951-00	9602 ONE SHOT-DUAL	1	E40
44	44		1912805-00	LS08 AND GATE-QUAD 2IN,POSITIVE	1	E44
45	45		1912697-00	LS174 FF-D HEX W/CLEAR	2	E49,E54
46	46		1912803-00	LS04 INVERTER GATE-HEX 1IN	1	E50
47	47		1912845-00	LS153 MUX 1 OF 4 (DUAL) & DATA SFL	1	E55
48	48		1909928-00	7416 INVERTER GATE-HEX 1IN,(7406 FA	1	E64
49	49		1213488-00	CONN 10POS HOUSING	1	J2
50	50		1002839-00	2W MFD 50V G8 30D AL FL (10-12	1	C34
51	51		9006735-00	EYELFT, FUNNEL FLANGE, .459 OD X .187 LG	4	
52	52		9009122-00	FUSE, SUB-MINI, .062A, 125V, AXIAL LEAD	19	F1-F19
53	53		1214937-00	SW,PR 2P PUSH PUSH	2	S3,S4
54	54	C-MD-7420191-0-0	7420191-00	HANDLE	1	
55	55		9006732-00	EYELFT, ROLLED FLANGE, .121 OD X .219 LG	4	
56	56	C-MD-7420191-0-0	7420192-00	HANDLE RETAINER	2	
57	57		9006000-01	SCREW,PAN,SLOT, 2-56X 3/16 SS/PAS	4	
58	58		9006555-00	NUT,HEX , 2-56X3/16AF X 1/16 THK SS/	4	
59	59		9006686-00	WASHER, LOCK, S.S. 12	4	

DIGITAL EQUIPMENT CORPORATION MAYNARD, MASSACHUSETTS		TITLE DIGITAL INPUT	PARTS LIST	SIZE CODE K PL	DOCUMENT NUMBER M5915-0-0	REV IC
---	--	------------------------	------------	-------------------	------------------------------	-----------

THIS DRAWING AND SPECIFICATIONS HEREIN ARE THE PROPERTY OF DIGITAL EQUIPMENT CORPORATION AND SHALL NOT BE REPRODUCED OR COPIED OR USED IN WHOLE OR IN PART AS THE BASIS FOR THE MANUFACTURE OR SALE OF ITEMS WITHOUT WRITTEN PERMISSION. COPYRIGHT © 1977, DIGITAL EQUIPMENT CORPORATION



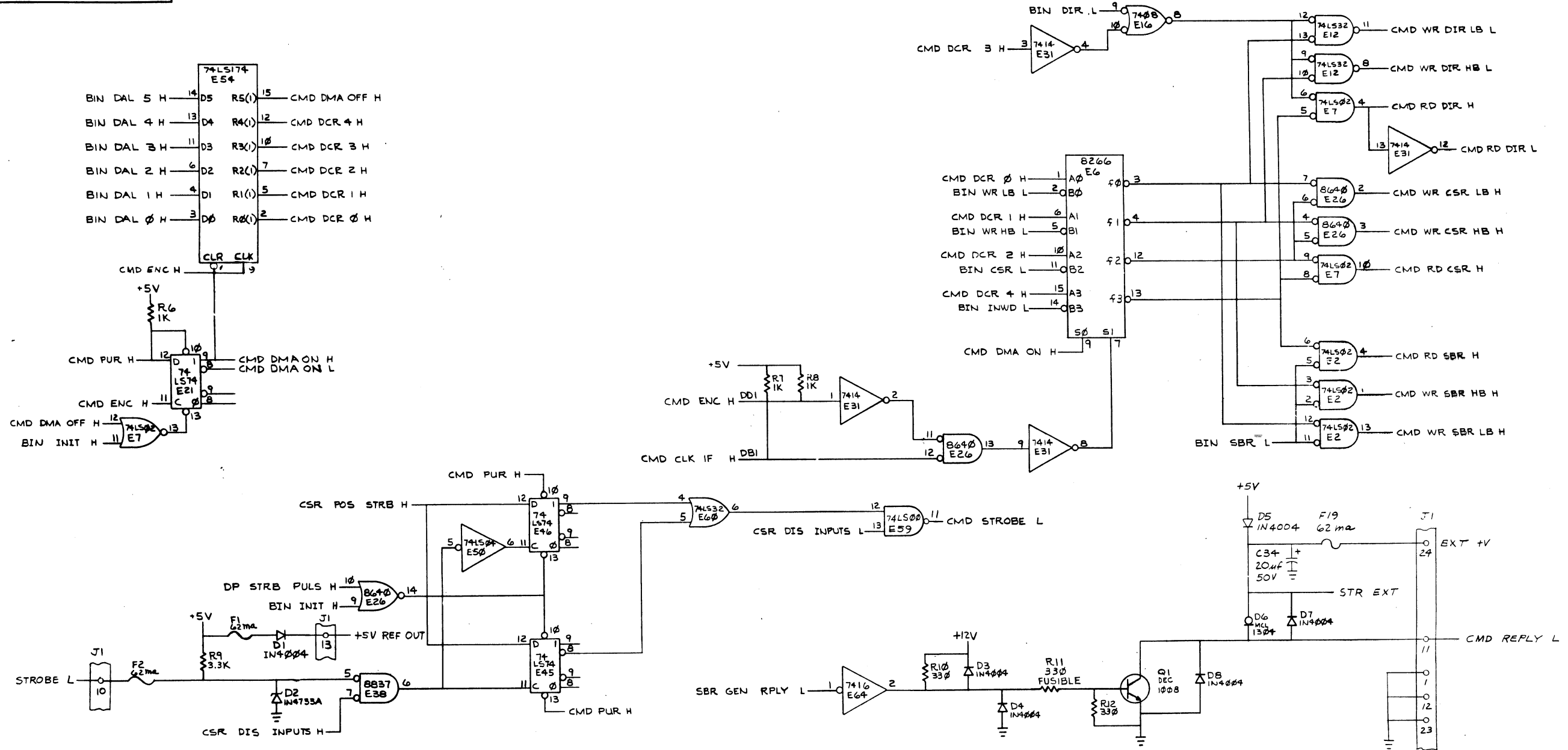
AC2, AT1, BC2, BT1, CC2, CT1, DC2, DT1, AF1, AH1, AI1, AM1, BJ1, BM1

BIN: BUS INTERFACE

DRN: <i>[Signature]</i>	FIRST USED ON: <i>[Date]</i>	digital
CHK'D: <i>[Signature]</i>	2 DEC 77	
ENG: <i>[Signature]</i>	TITLE: <i>[Title]</i>	DIGITAL INPUT
PROJ. ENG: <i>[Signature]</i>	2 JAN 78	
NEXT HIGHER ASSY:	SIZE: D	CODE: CS
B-DD-M5915-0	NUMBER: M5915-0-1	REV: C
SHEET 1 OF 7	DIST.	

REVISIONS	REV.	DATE	BY
CHANGE NO.	1	10/22/77	MS
CHK	MS	10/22/77	MS
DESIGN	MS	10/22/77	MS
APP	MS	10/22/77	MS
CHK	MS	10/22/77	MS
DESIGN	MS	10/22/77	MS
APP	MS	10/22/77	MS
CHK	MS	10/22/77	MS
DESIGN	MS	10/22/77	MS
APP	MS	10/22/77	MS

THIS DRAWING AND SPECIFICATIONS, HEREIN, ARE THE PROPERTY OF DIGITAL EQUIPMENT CORPORATION AND SHALL NOT BE REPRODUCED OR COPIED IN WHOLE OR IN PART AS THE BASIS FOR THE MANUFACTURE OR SALE OF ITEMS WITHOUT WRITTEN PERMISSION. COPYRIGHT © 1977 DIGITAL EQUIPMENT CORPORATION

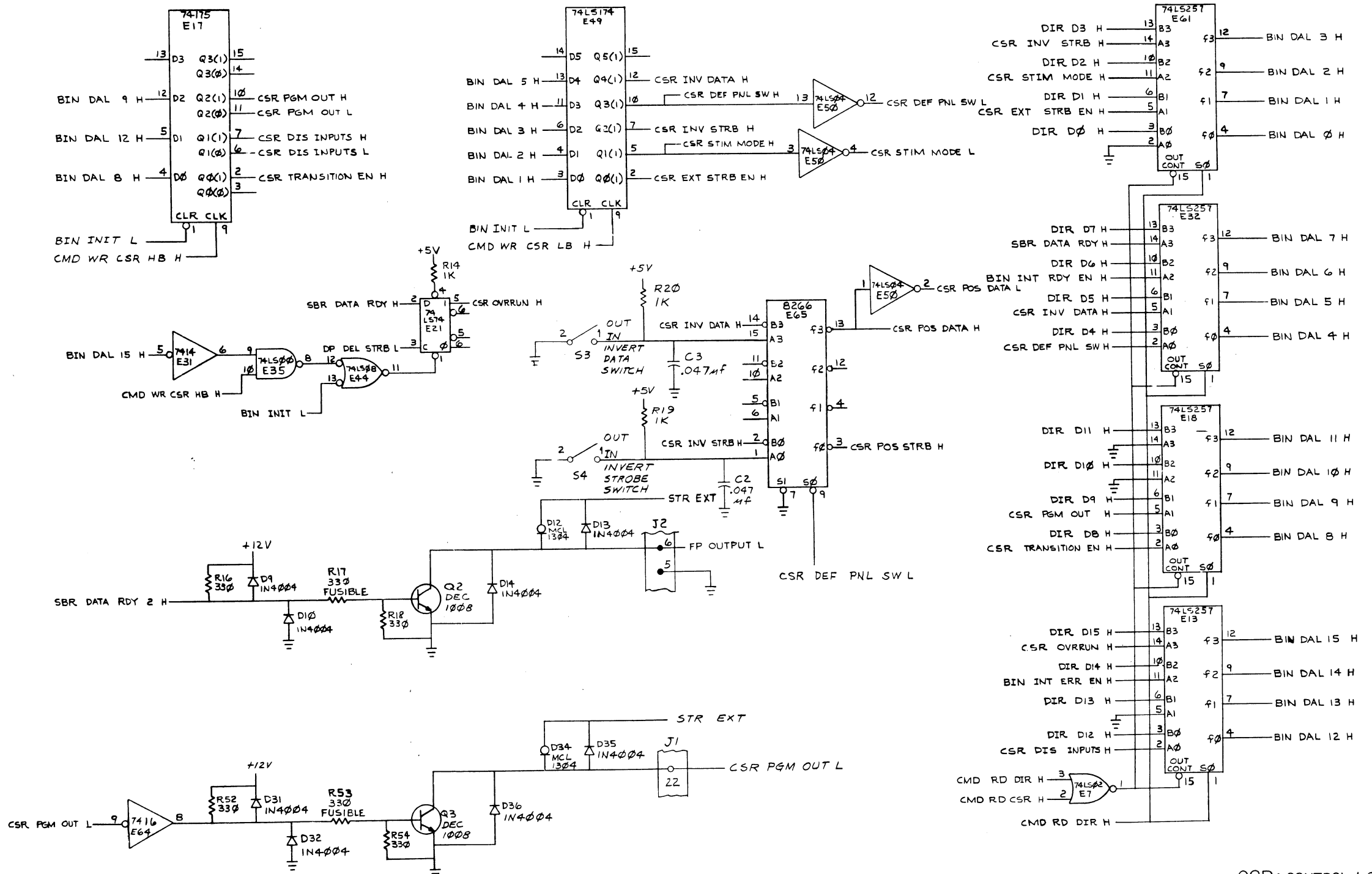


CMD: COMMAND CONTROL

REVISIONS		
CHK	CHANGE NO.	REV.

TITLE	DIGITAL INPUT	SIZE CODE	DCS	NUMBR	M5915-0-1	REV.	C
SCALE	SHEET 2 OF 7		DIST.				

"THIS DRAWING AND SPECIFICATIONS HEREIN ARE THE PROPERTY OF DIGITAL EQUIPMENT CORPORATION AND SHALL NOT BE REPRODUCED OR COPIED OR USED IN WHOLE OR IN PART AS THE BASIS FOR THE MANUFACTURE OR SALE OF ITEMS WITHOUT WRITTEN PERMISSION. COPYRIGHT © 1977 DIGITAL EQUIPMENT CORPORATION"

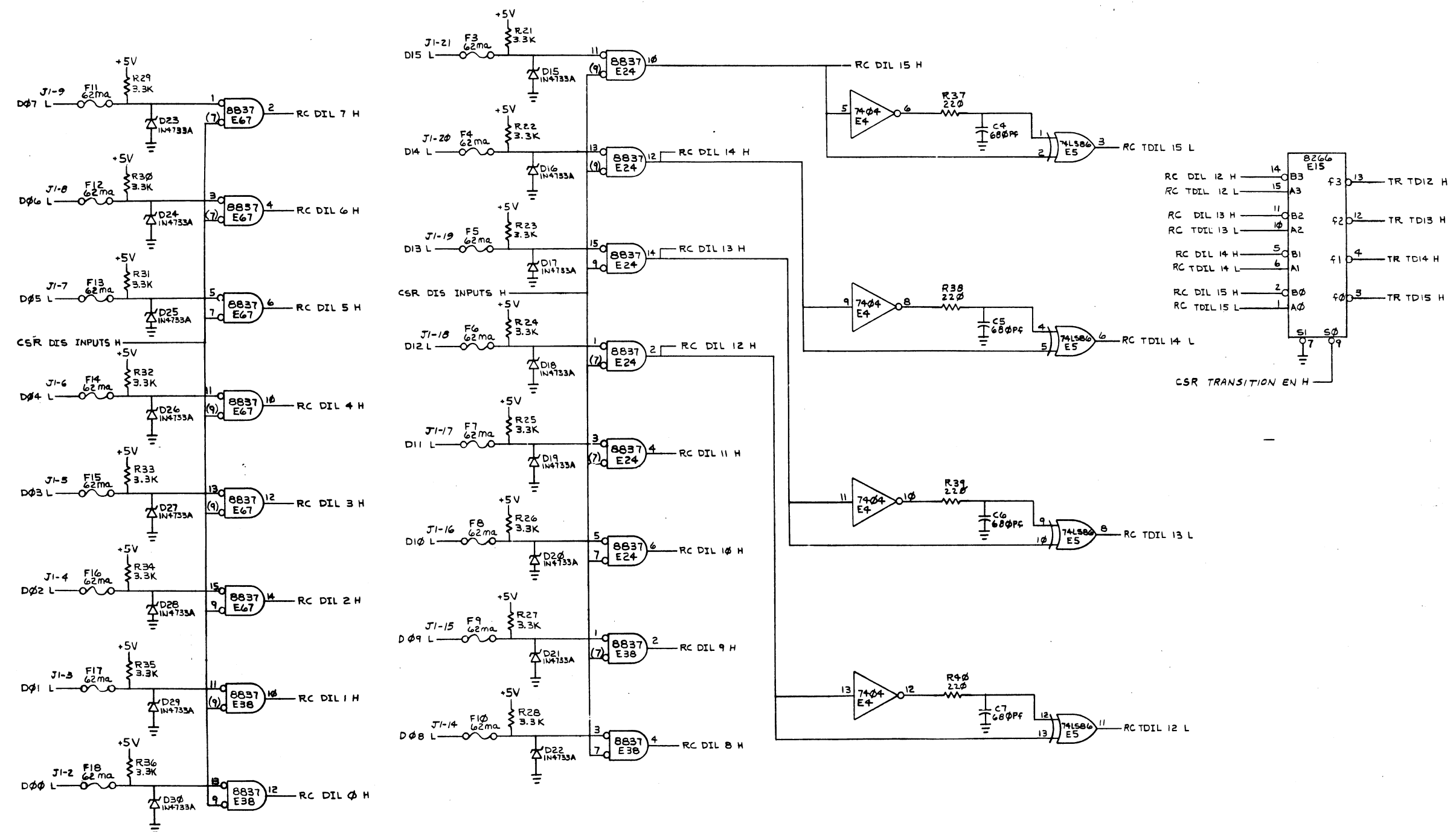


CSR: CONTROL & STATUS REGISTER

REVISIONS		
CHK	CHANGE NO.	REV.

TITLE	SIZE CODE	NUMBER	REV.
DIGITAL INPUT	D CS	M5915-0-1	C
SCALE	SHEET 3 OF 7	DIST.	

THIS DRAWING AND SPECIFICATIONS HEREIN ARE THE PROPERTY OF DIGITAL EQUIPMENT CORPORATION AND SHALL NOT BE REPRODUCED OR COPIED OR USED IN WHOLE OR IN PART AS THE BASIS FOR THE MANUFACTURE OR SALE OF ITEMS WITHOUT WRITTEN PERMISSION. COPYRIGHT © 1977 DIGITAL EQUIPMENT CORPORATION

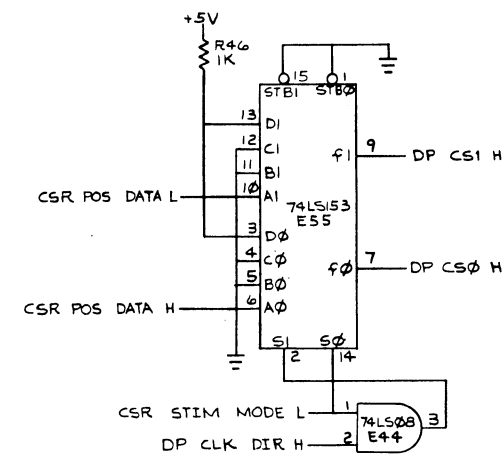
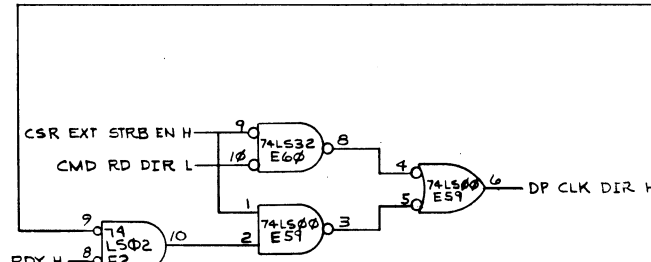
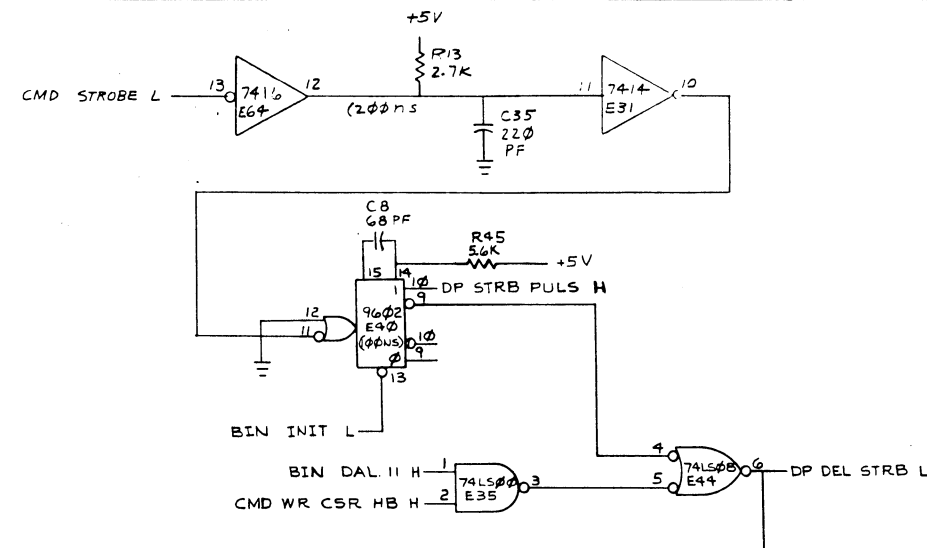
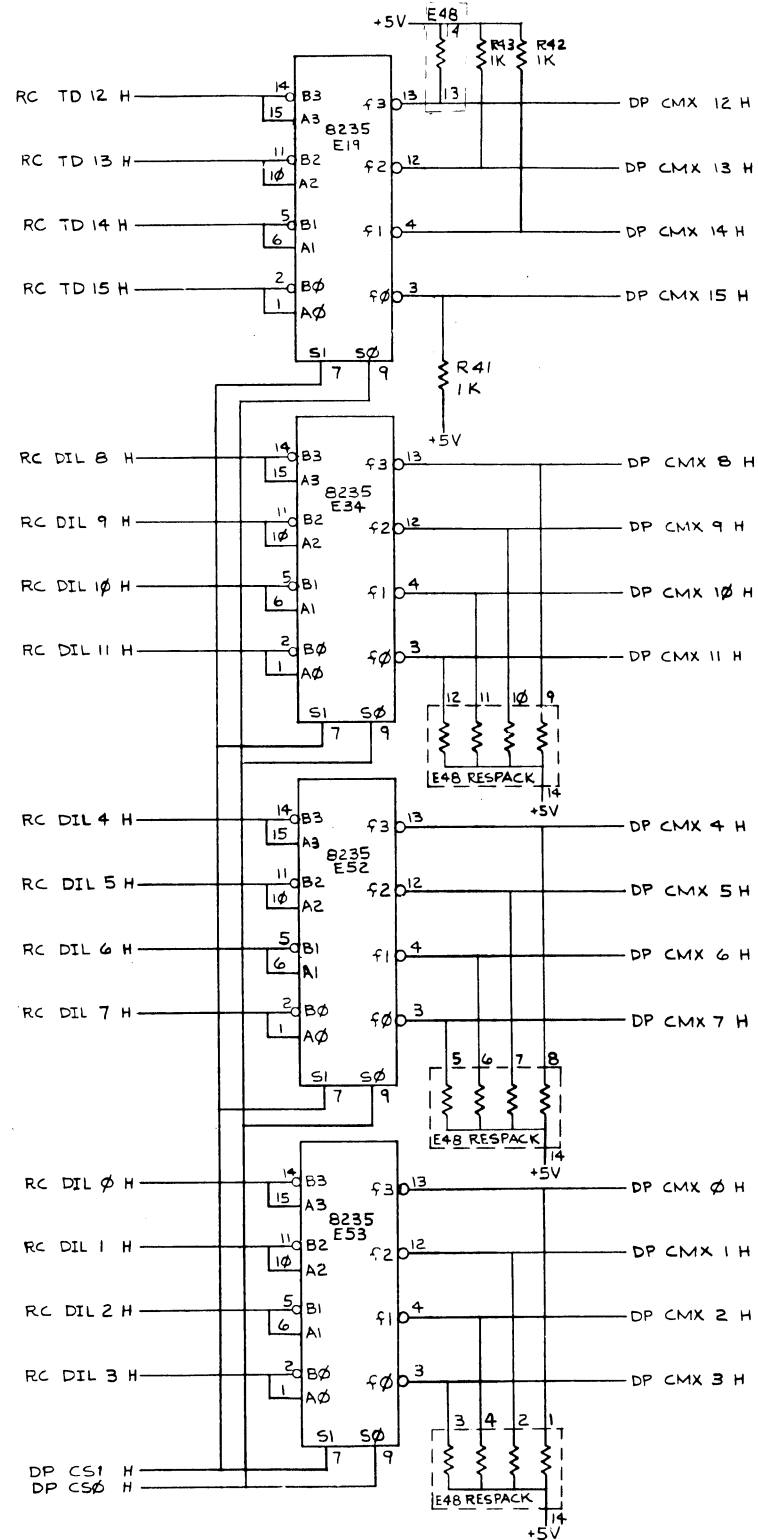
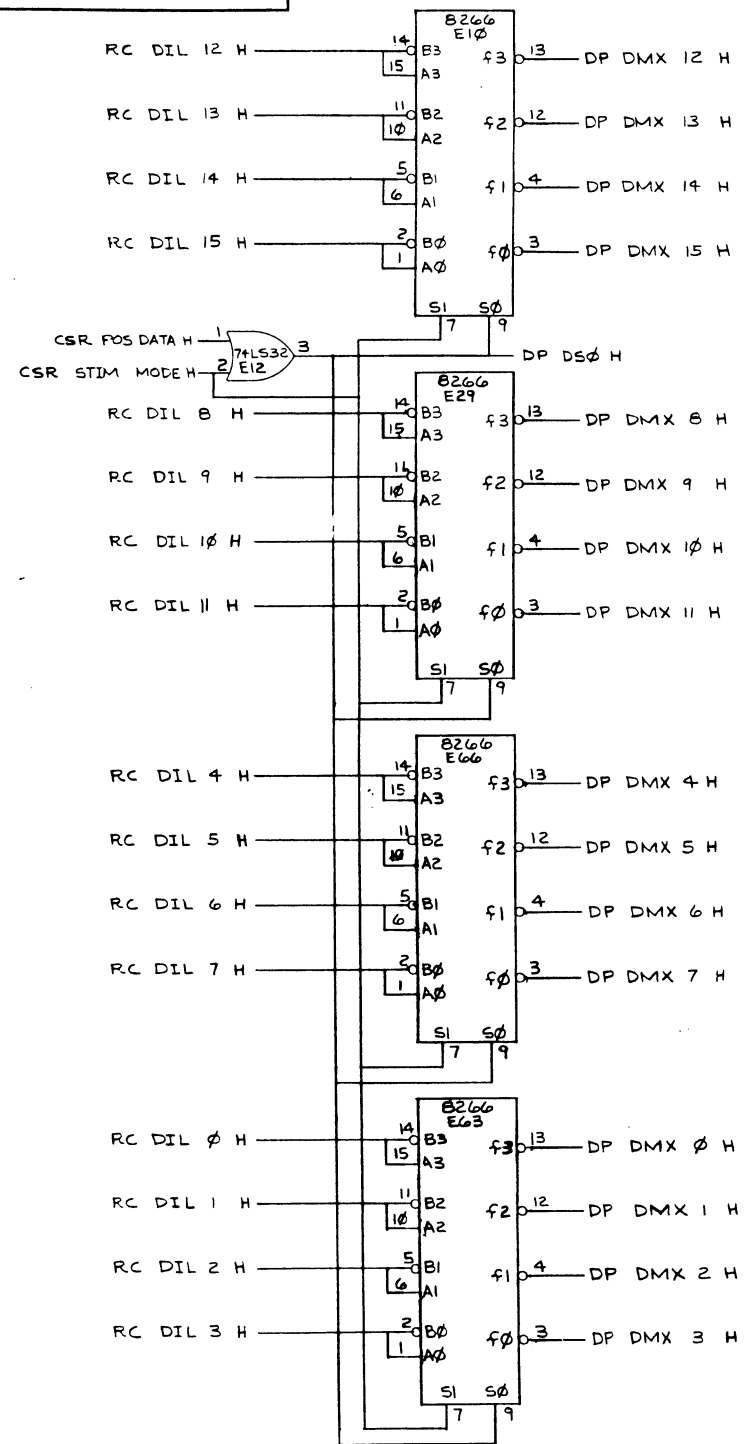


RC: RECEIVERS & TR: TRANSITION DETECTORS

REVISIONS		
CHK	CHANGE NO.	REV.

TITLE	SIZE CODE	NUMBER	REV.
DIGITAL INPUT	D CS	M5915-0-1	C
SCALE	SHEET	OF	
	4	7	

THIS DRAWING AND SPECIFICATIONS, HEREIN, ARE THE PROPERTY OF DIGITAL EQUIPMENT CORPORATION AND SHALL NOT BE REPRODUCED OR COPIED OR USED IN WHOLE OR IN PART AS THE BASIS FOR THE MANUFACTURE OR SALE OF ITEMS WITHOUT WRITTEN PERMISSION. COPYRIGHT © 1977 DIGITAL EQUIPMENT CORPORATION



NOTES:

74LS153 TRUTH TABLE:

S1	S0	f
0	0	A
1	0	C
0	1	B
1	1	D

8266 TRUTH TABLE:

S1	S0	f
0	0	B
1	0	B
0	1	A
1	1	I

8235 TRUTH TABLE:

S1	S0	f
0	0	0
1	0	B
0	1	A
1	1	I

DP: DATA INPUT PATH

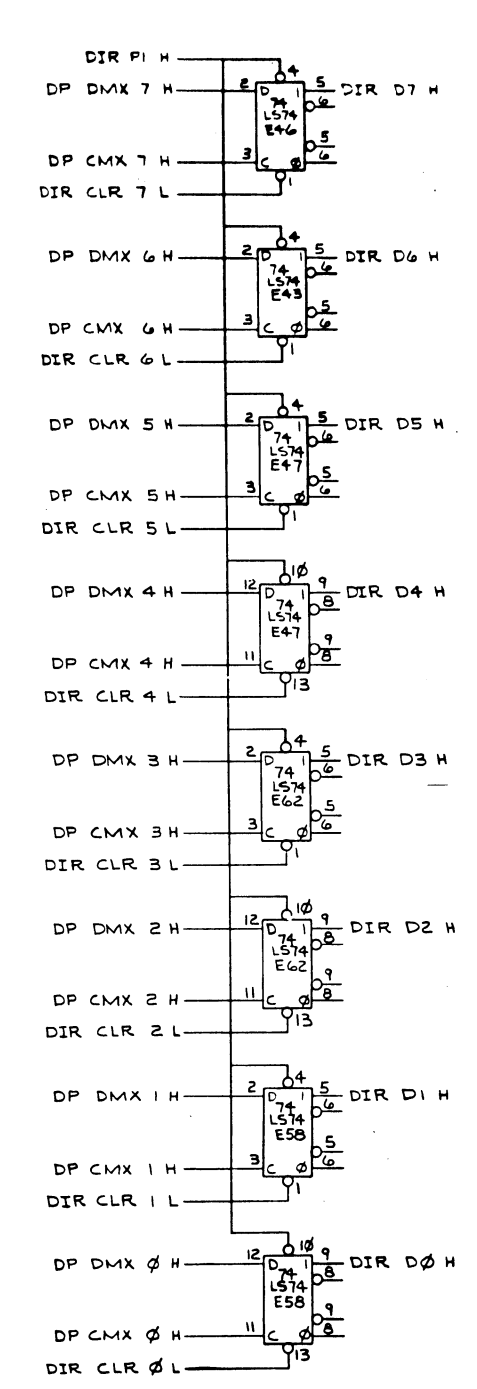
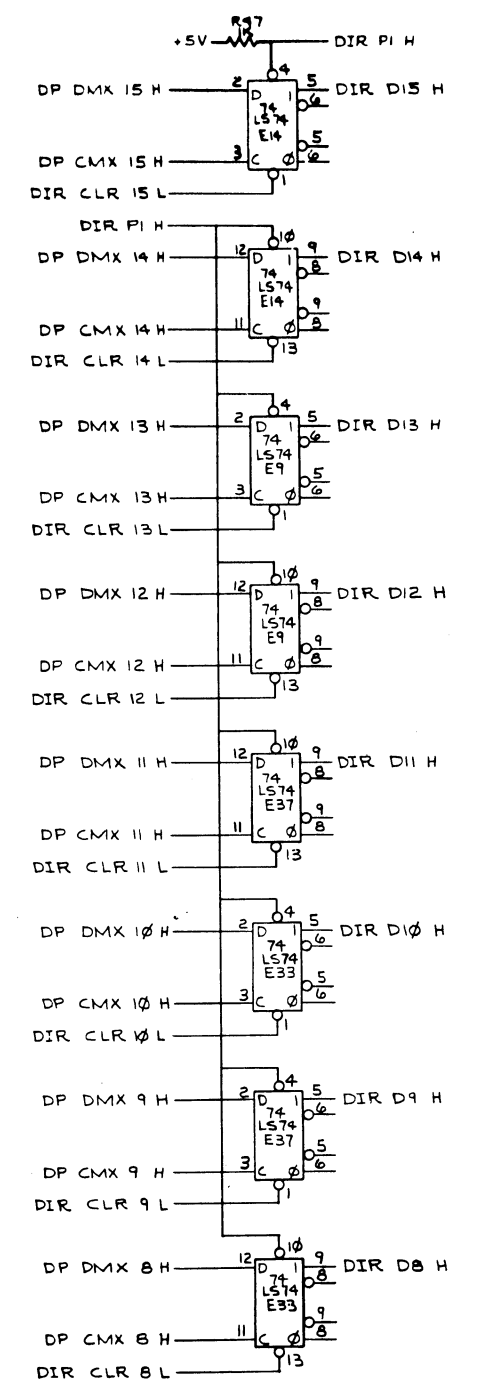
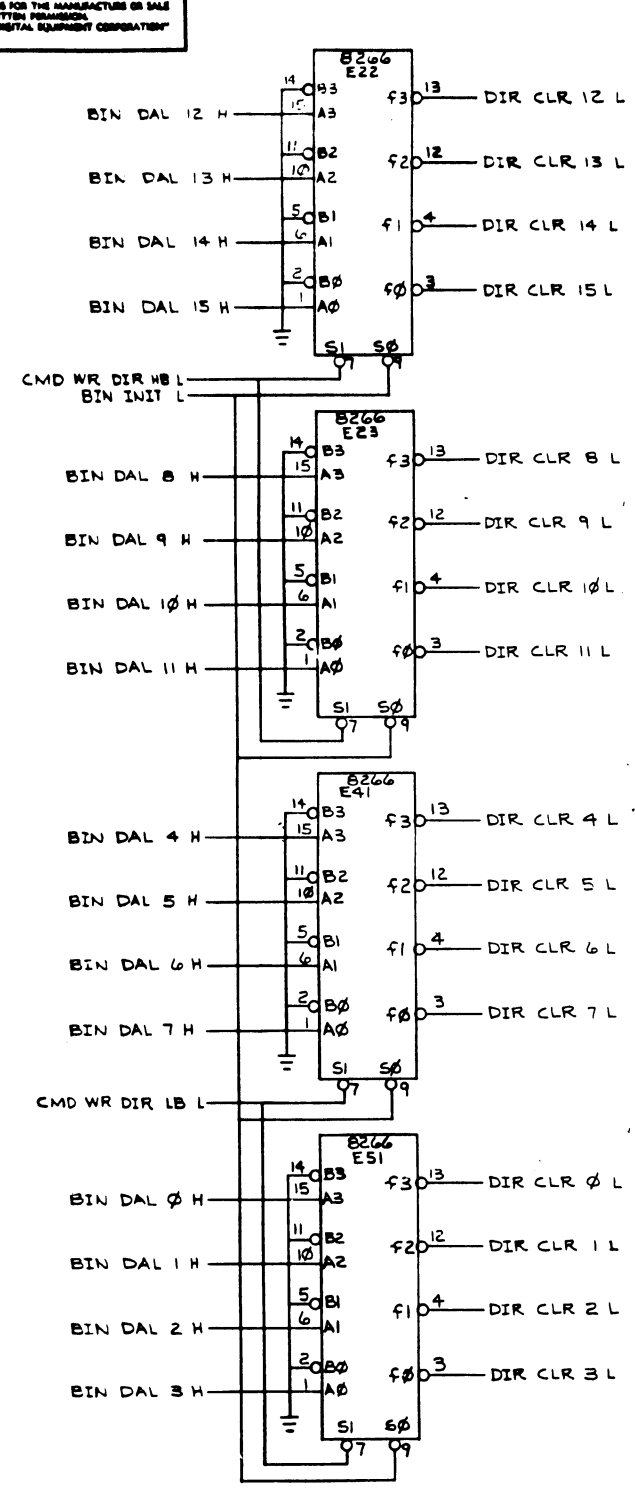
REVISIONS

CHK	CHANGE NO.	REV.

TITLE	SIZE CODE	NUMBER	REV.
DIGITAL INPUT	D CS	M5915-0-1	C

SCALE: SHEET 5 OF 7

THIS DRAWING AND SPECIFICATIONS HEREIN ARE THE PROPERTY OF DIGITAL EQUIPMENT CORPORATION AND SHALL NOT BE REPRODUCED OR COPIED OR USED IN WHOLE OR IN PART AS THE BASIS FOR THE MANUFACTURE OR SALE OF ITEMS WITHOUT WRITTEN PERMISSION. COPYRIGHT © 1971 DIGITAL EQUIPMENT CORPORATION

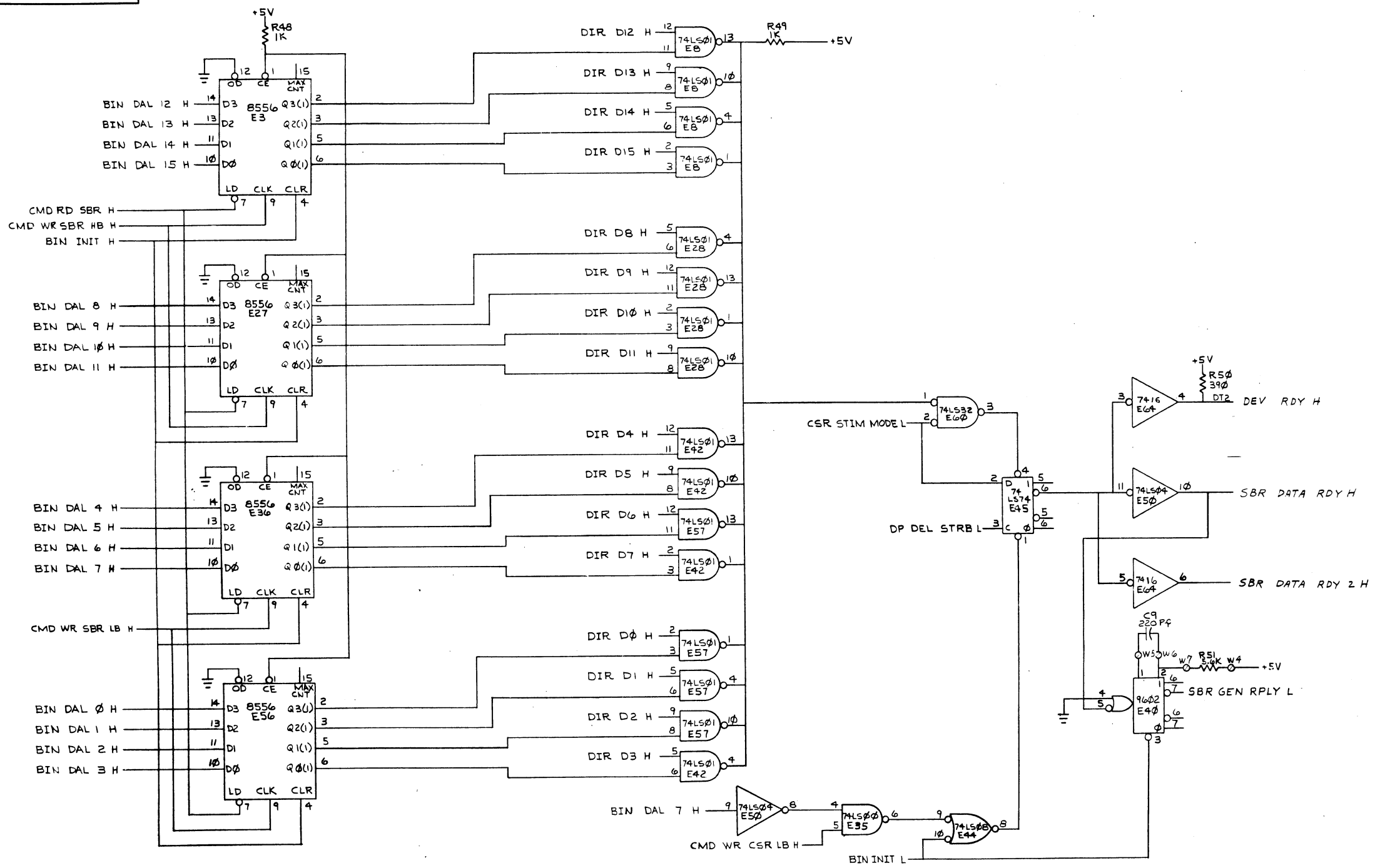


DIR : DATA INPUT REGISTER

REVISIONS		
CHK	CHANGE NO.	REV.

TITLE	DIGITAL INPUT	SIZE CODE	DCS	NUMBER	M5915-0-1	REV.	C
SCALE		SHEET	6	OF	7	DIST.	

"THIS DRAWING AND SPECIFICATIONS HEREIN ARE THE PROPERTY OF DIGITAL EQUIPMENT CORPORATION AND SHALL NOT BE REPRODUCED OR COPIED OR USED IN WHOLE OR IN PART AS THE BASIS FOR THE MANUFACTURE OR SALE OF ITEMS WITHOUT WRITTEN PERMISSION. COPYRIGHT © 1977 DIGITAL EQUIPMENT CORPORATION"



SBR: STIMULUS BIT REGISTER

REVISIONS		
CHK	CHANGE NO.	REV.

TITLE	DIGITAL INPUT	SIZE CODE	D CS	NUMBER	M5915-0-1	REV.	C
SCALE		SHEET	7	OF	7	DIST.	

REV. NUMBER

**DIGITAL EQUIPMENT CORPORATION
MAYNARD, MASSACHUSETTS
PARTS LIST**

QUANTITY VARIATION

MADE BY	M. Archie	CHECKED	<i>[Signature]</i>	SECTION	1
DATE	7 MARCH 78	DATE	17 MAY 78	ISSUED SECT.	1
ENG	<i>AC H</i>	PROD	<i>B Cook</i>		
DATE	23-May-78	DATE	23-May-78		

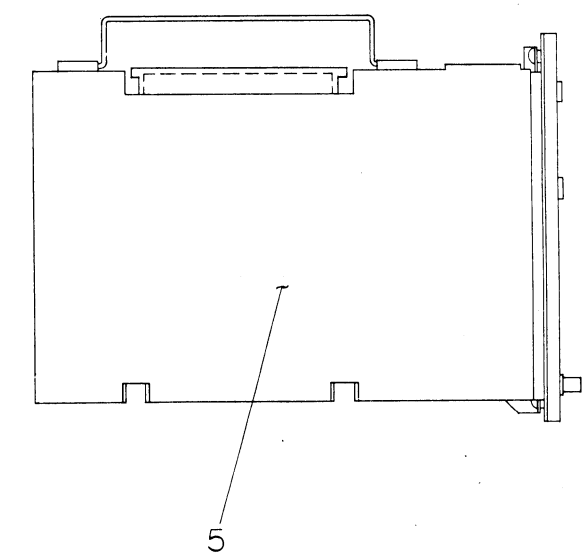
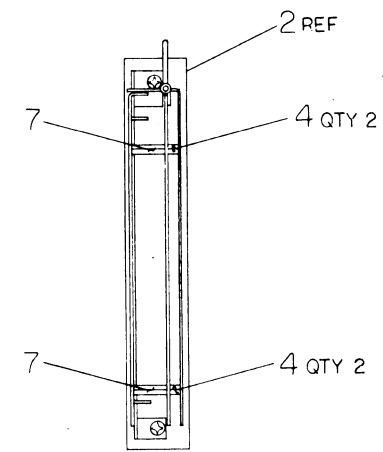
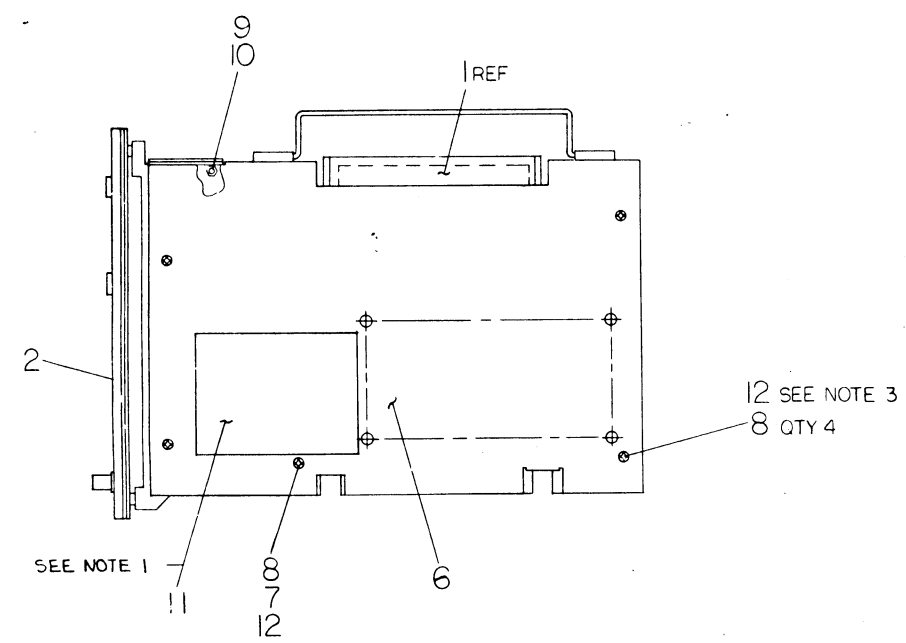
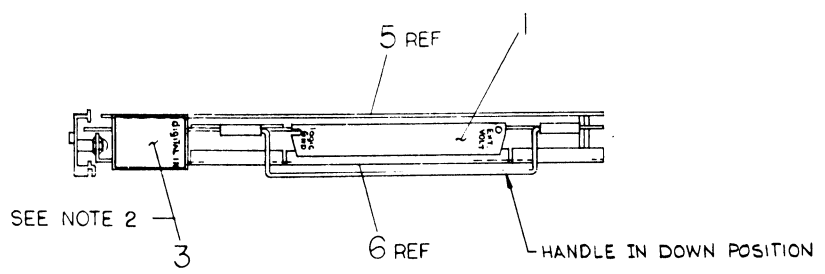
ITEM NO.	DWG NO./PART NO.	DESCRIPTION	QTY	UNIT	QTY	UNIT	QTY	UNIT	QTY	UNIT	QTY	UNIT	QTY	UNIT
1	D-UA-MNCDI-8-8	MNCDI UNIT ASSY	1											
2	MP88595	PRINT SET MNCDI	1											
3	AA-D572-TC	WORKING WITH MINC DEVICE	1											

TITLE	SHIP LIST MNCDI	ASSY NO.	<i>+/+</i>	SIZE	A	COP	PL	NUMBER	MNCDI-8-SH	REV		ECO NO.	
	SHEET	1	OF	1	DIST								

"THIS DRAWING AND SPECIFICATIONS, HEREIN, ARE THE PROPERTY OF DIGITAL EQUIPMENT CORPORATION AND SHALL NOT BE REPRODUCED OR COPIED OR USED IN WHOLE OR IN PART AS THE BASIS FOR THE MANUFACTURE OR SALE OF ITEMS WITHOUT WRITTEN PERMISSION. COPYRIGHT © 1977, DIGITAL EQUIPMENT CORPORATION"

NOTES

1. ITEM #11 IS PUT ON BY ALIGNING THE RIGHT HAND EDGE OF DECAL UP AGAINST HOLES AND BOTTOM EDGE JUST ABOVE MOUNTING HOLE.
2. ITEM #3 IS PUT ON BY ALIGNING THE TOP EDGE AND RIGHT HAND EDGE EVEN WITH THE TOP EDGE AND RIGHT HAND EDGE OF ITEM #5.
3. USING ITEM #12 ADD ONE DROP TO EACH LOCATION.

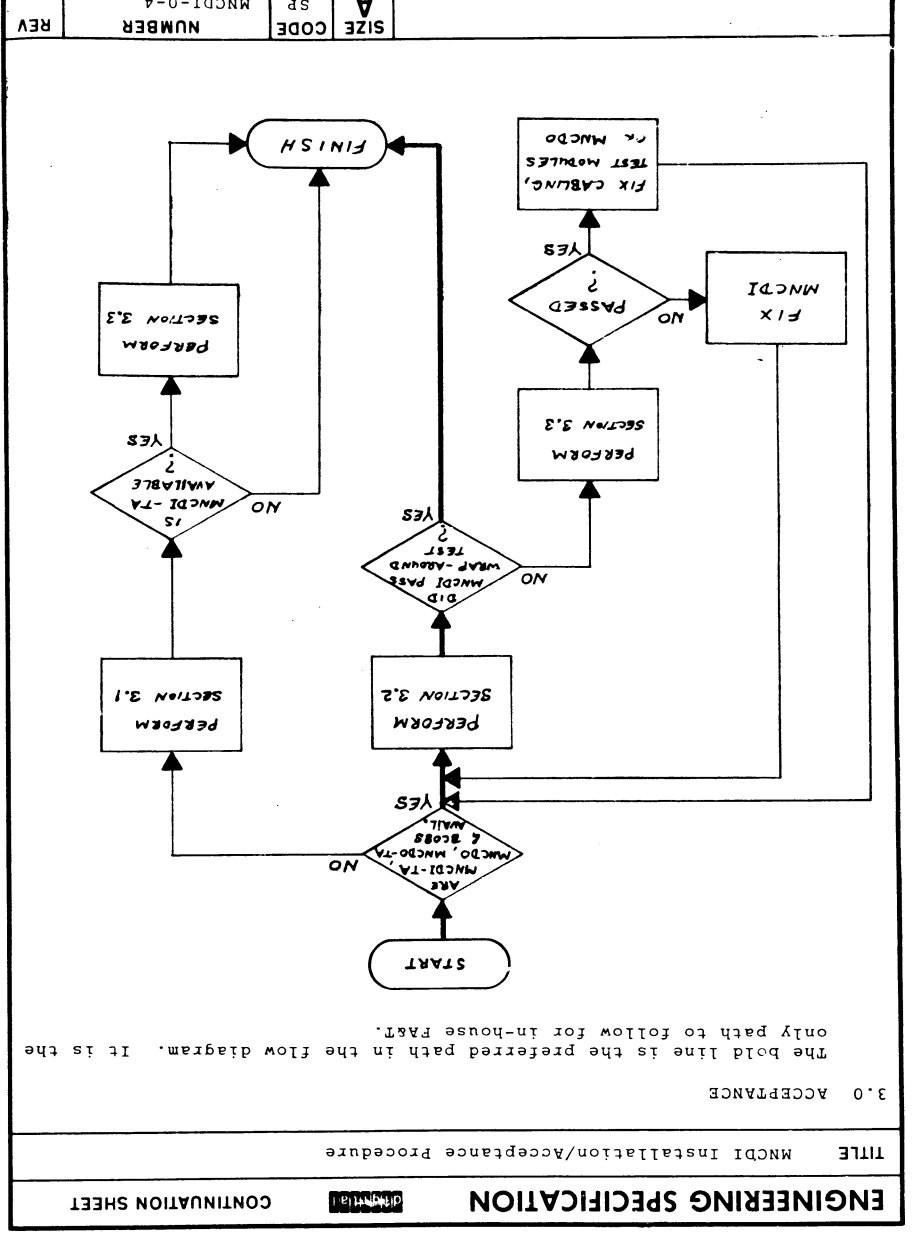


DESCRIPTION	DWG./PART NO.	ITEM NO.
1 PACKAGING INSTRUCTIONS	A-PS-370035B-02	14
REF CHECKOUT & ACCEPT. PROCEDURE	A-SP-MNCDI-Ø-3	13
A/R LOCKTITE	9009321	12
1 DECAL, INFORMATION (MNCDI)	A-DC-3615264-5-0	11
1 NUT KEPS #6-32	9008185	10
1 WASHER, FLAT	9006653	9
5 SCR, FLAT HD #6-32 x .25	9006020-02	8
3 SPACER, THREADED #6-32 x .88	9006861	7
1 PLATE, COMP. SIDE	D-MD-7419869-0-0	6
1 PLATE, ETCH SIDE	D-IA-7419868-0-0	5
4 SPACER, THREADED #6-32 x .25	9006841	4
1 DECAL, I/O SCHEMATIC	A-DC-3615260-5-0	3
1 MNCDI SUB-ASSY	D-AD-7014503-0-0	2
1 CONN ASSY, I/O	D-IA-7014153-6-0	1

REV.	CHG.	DATE
A	1	NOV 78
B	1	NOV 78
C	1	NOV 78

UNLESS OTHERWISE SPECIFIED DIMENSIONS ARE IN INCHES	
ANGLES ±0° 30'	CLASS OF ACCURACY (CHECK ONE)
SURFACE QUALITY IN	MEDIUM <input type="checkbox"/> ±.004 ±.008 ±.012 ±.016 ±.024 ±.04
QUANTITY & VARIATION	MICROINCHES PREFERRED <input type="checkbox"/> ±.012 ±.016 ±.025 ±.04 ±.063 ±.1
THIRD ANGLE PROJECTION	DRN. <i>M. Sullivan</i> 2/1/77
REMOVE BURRS AND BREAK SHARP CORNERS	CHK'D <i>J. Kelly</i> 2/1/77
DO NOT SCALE DWG	ENG. <i>J. C. Kelly</i> 2/1/77
MATERIAL SEE PARTS LIST	PROJ. ENG. <i>J. C. Kelly</i> 2/1/77
FINISH NONE	PROD. <i>J. C. Kelly</i> 2/1/77
	NEXT HIGHER ASSY.
	SIZE CODE NUMBER REV.
	D UA MNCDI - Ø - Ø A
	SHEET 1 OF 1 DIST.

MNCDI digital
MNCDI UNIT ASSY



3.0 ACCEPTANCE
The bold line is the preferred path in the flow diagram. It is the only path to follow for in-house PART.

TITLE MNCDI Installation/Acceptance Procedure
CONTINUATION SHEET

REV	DESCRIPTION	CHG NO	ORIG	DATE	APPD BY	DATE
1	APPD	7-31-78				
REVISIONS						
TITLE MNCDI Installation/Acceptance Procedure						
ENGINEERING SPECIFICATION						
DATE 7/27/78						
DIGITAL EQUIPMENT CORPORATION MAYNARD, MASSACHUSETTS						

3.1 LOGIC TEST
The diagnostic will type a menu of tests. Select the "LOGIC TEST". This test checks as much of the control logic and data paths as possible without making external connections. At the start of the logic test the program will type out the number of MNCDI modules detected on the MNC system. All modules will be tested unless this feature is inhibited (see the diagnostic documentation). No errors are allowable for MNCDI acceptance.

3.2 WRAP-AROUND LOGIC AND DATA TEST
When the diagnostic types a menu of tests, select the "WRAP-AROUND LOGIC AND DATA TEST". This test incorporates all of the logic test and, in addition, thoroughly checks the digital input paths and handshaking signals with the MNCDO digital output module.

The MNCDO-TA and MNCDO-TA test modules should already be installed in their respective options. The SC08S cable must be connected from one test module to the other, connecting like pin numbers of each connector.

Be sure to observe the proper switch positions on the front panel of each module, as specified by the type-out. If the MNCDO passes this test, acceptance is completed. If it fails a logic test repair or replace the MNCDO using established procedures. If one of the wrap-around data tests is failed, section 3.3 may be performed to determine if the failure is in the MNCDO as opposed to the cable or MNCDO.

3.3 TIMEOUT LOOP FOR INPUT DWARD SWITCHES
This loop allows verification of the cable connector input without the use of a MNCDO. When a push-button on the test module is depressed, the program reads the switch pack on the test module through the MNCDO and displays the value in octal and binary. By changing the switch positions on the test module and again depressing the button, a new data pattern is read by the program. All sixteen data lines can thus be checked by changing the switch positions. The push-button utilizes the strobe input.

TITLE MNCDI Installation/Acceptance Procedure
CONTINUATION SHEET

REV	NUMBER	CODE	SIZE	DATE	APPD BY	DATE
1	1-1	GENERAL				
1.0 GENERAL						
1.1 SCOPE This document describes the procedures for the installation and field acceptance of the MNCDO (Digital Input) option for the MNC-11 System. This procedure will be used for in-house and new system installation, and periodic verification testing.						
1.2 EQUIPMENT MNC-11 System MNCDO MNCDO-TA Test Module (optional) Wrap-Around Cable (optional) I/O Connector						
1.3 DOCUMENTATION MAINDEC-11-DVMB-A A-SP-MNCDO-0-2 MPO0595 AA-D572A-TC Diagnostic Program MNCDO Engineering Specification Print Set "Working with MNC Devices"						
2.0 INSTALLATION						
2.1 INITIAL SET-UP The address and vector switches on the MNCDO board must be set properly as indicated in the manual "Working with MNC Devices".						
2.2 LOCATION The MNCDO may be inserted into any of the 8 possible MNC slots. However, if the MNC-11 System includes an MNCAD A/D converter, then the MNCDO should be installed to the right of the MNCAD (but not necessarily adjacent to it).						
2.3 TEST MODULE If the MNCDO-TA test module is available it should be plugged into the I/O connector fingers on the top of the MNCDO. If no test module is available plug the standard I/O connector into the fingers.						
2.4 POWER UP All other options to be tested and any of their test modules should be mounted in the system. Power may then be applied.						
ENGINEERING SPECIFICATION						
CONTINUATION SHEET						