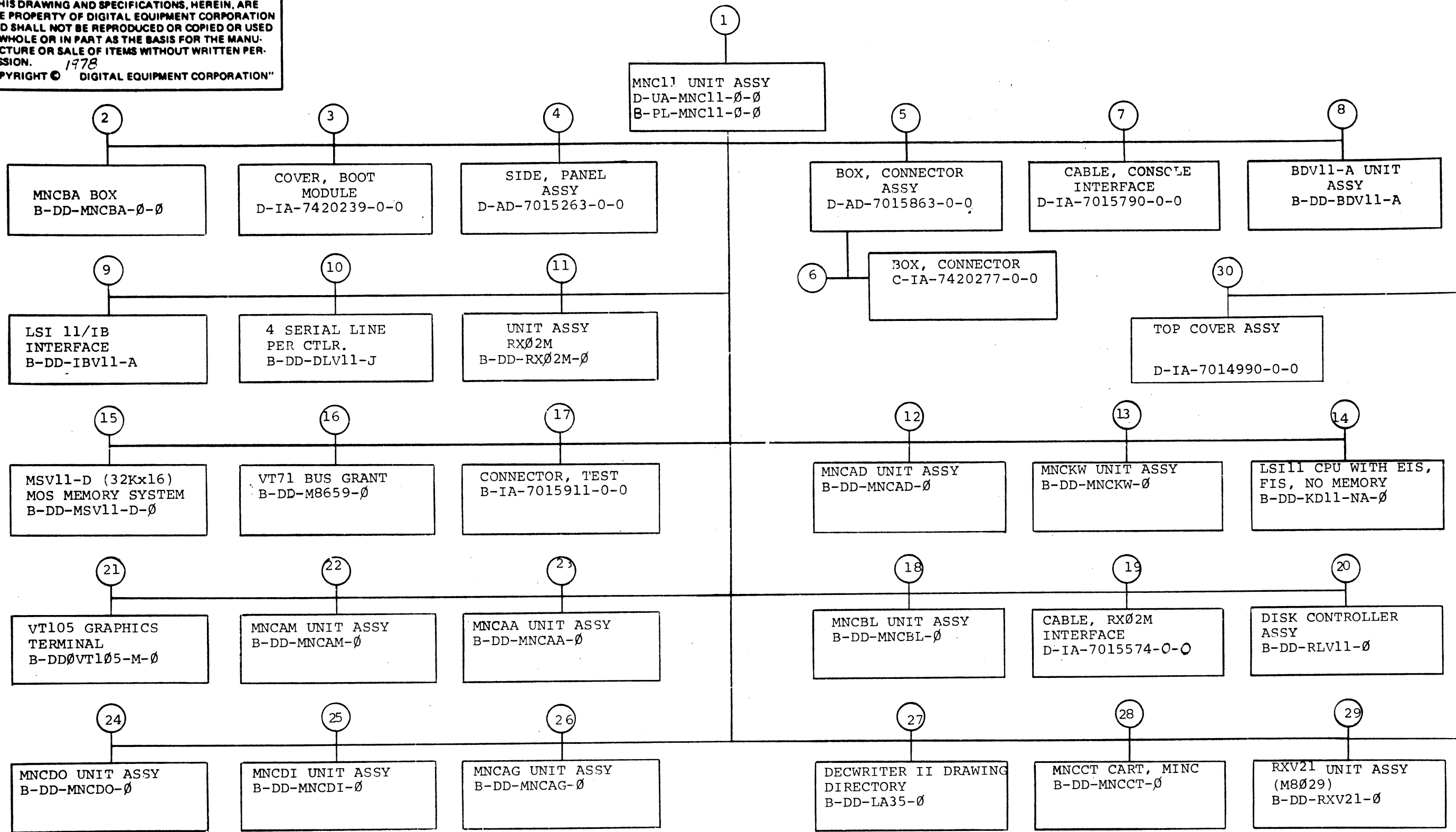


"THIS DRAWING AND SPECIFICATIONS, HEREIN, ARE THE PROPERTY OF DIGITAL EQUIPMENT CORPORATION AND SHALL NOT BE REPRODUCED OR COPIED OR USED IN WHOLE OR IN PART AS THE BASIS FOR THE MANUFACTURE OR SALE OF ITEMS WITHOUT WRITTEN PERMISSION. 1978
 COPYRIGHT © DIGITAL EQUIPMENT CORPORATION"



TITLE	MNC11 UNIT ASSY	SHEET 2 OF 5	SIZE CODE B DD	NUMBER MNC11-Ø	REV
-------	-----------------	--------------	--------------------------	-------------------	-----

FIND NO.	DRAWING NO.	DESCRIPTION	TYPE	FIND NO.	DRAWING NO.	DESCRIPTION	TYPE
				25	B-DD-MNCDI-Ø	MNCDI UNIT ASSY	E/M
20	B-DD-RLV11-Ø	DISK CONTROLLER ASSY	E/M				
				26	B-DE-MNCAG-Ø	MNCAG UNIT ASSY	E/M
21	B-DD-VT1Ø5-M-Ø	VT1Ø5 GRAPHICS TERMINAL	E/M				
				27	B-DD-LA36-Ø	DECWRITER II DRAWING DIRECTORY	E/M
22	B-DE-MNCAM-Ø	MNCAM UNIT ASSY	E/M				
				28	B-DD-MNCCT-Ø	MNCCT CART, MINC	E/M
23	B-DD-MNCAA-Ø	MNCAA UNIT ASSY	E/M				
				29	B-DD-RXV21-Ø	RXV21 UNIT ASSY	E/M
24	B-DD-MNCDO-Ø	MNCDO UNIT ASSY	E/M				
				30	D-IA-7014990-0-0	TOP COVER ASSY	M
					D-MD-7419881-0-0	COVER, TOP	M
					C-MD-7419874-0-0	RETAINER, CONN.	M
					B-MD-7419883-0-0	HINGE BRKT, TOP COVER	M

TYPE: E ELECTRICAL
M MECHANICAL
E/M ELECTRO/MECHANICAL

digital

TITLE

MNC11 UNIT ASSY

SHEET 5 OF 5

SIZE CODE
B DD

NUMBER
MNC11-Ø

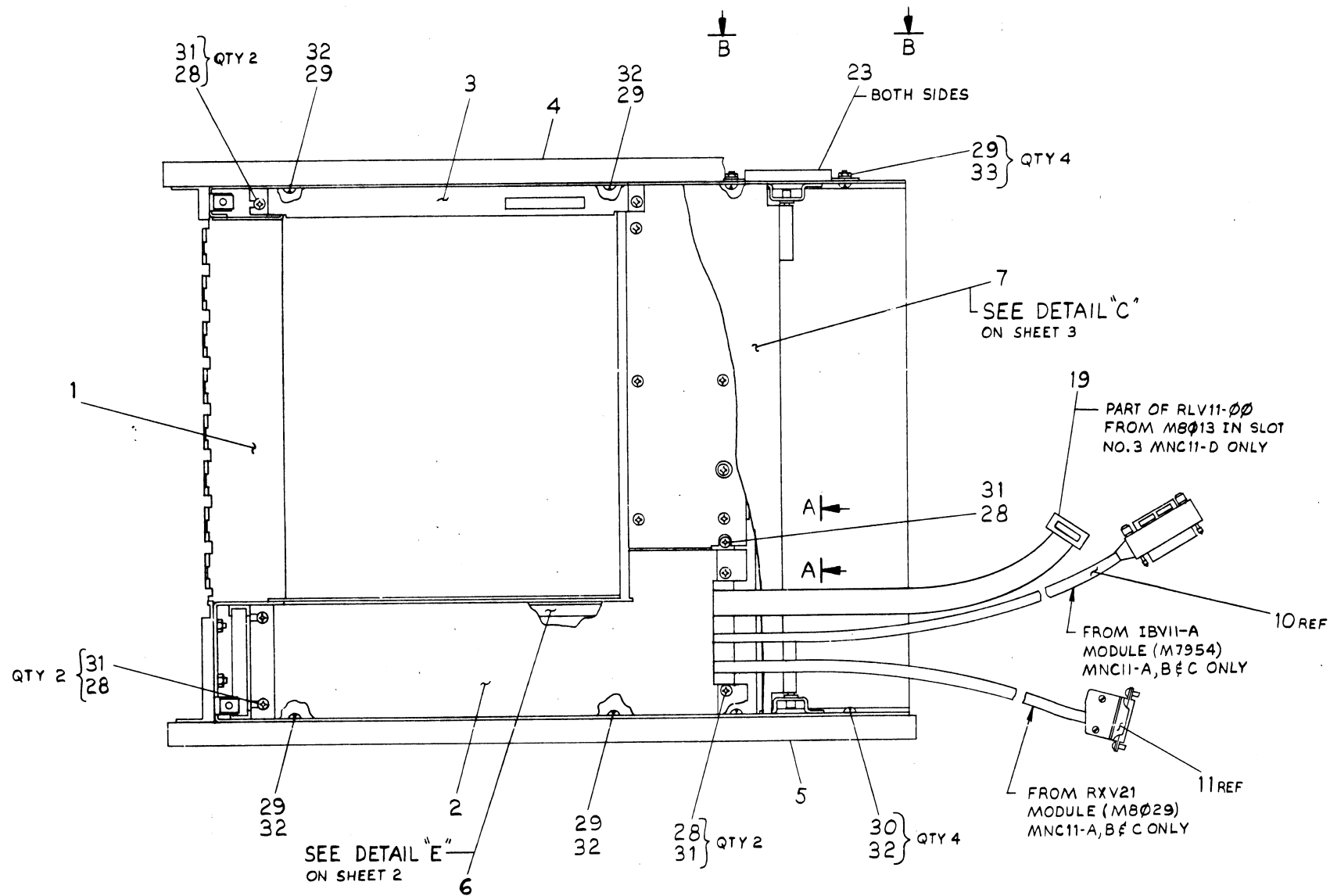
REV

DIGITAL EQUIPMENT CORPORATION MAYNARD, MASSACHUSETTS PARTS LIST				QUANTITY VARIATION																
MADE BY <i>G. Vowles</i>		CHECKED <i>F. Halliday</i>		SECTION																
DATE <i>11-OCT-78</i>		DATE <i>14 NOV 78</i>																		
ENG <i>CAC Feb</i>		PROD <i>F. Clow</i>		ISSUED SECT.																
DATE <i>22 NOV 78</i>		DATE <i>22 NOV 78</i>																		
ITEM NO.	DWG NO./PART NO.	DESCRIPTION		MNC11-JA	MNC11-JD															
1	D-UA-MNC11-JA	RLØ1/MNC SYS 115V/6ØHZ		1	-															
2	AX-E380()-MC **	DIAGNOSTIC PACK		1	1															
3	D-UA-MNC11-JD	RLØ1/MNC SYS 23ØV/6ØHZ		-	1															
4	D-UA-MNCBL-Ø-Ø *	BLANK MODULE		1	1															
5	QJØ13-AQ	RT-11 V3B		1	1															
6	QJ813-AQ	FORTRAN IV V2.1		1	1															
7	QJV35-AQ	FEP-11 V1		1	1															
8	EB-15115	MICROCOMPUTER PROCESSORS		1	1															
9	EB-15114	MEMORIES AND PERIPHERALS		1	1															
10	EK-MNC11-UG	DEC LAB-11/MNC USER'S GUIDE		1	1															
11	EK-VT1Ø5-UG-ØØ	VT1Ø5 USER'S GUIDE		1	1															
12	MPØØ7Ø9	MNC11-J UNIT ASSY (PRINT SET)																		
		**LATEST REV LEVEL ()																		
		NOTE: *FILL UP ALL UNUSED MINC SLOTS																		
		WITH ITEM #4 TOTAL NUMBER OF																		
		MNCBL'S SHOULD ALWAYS BE ONE																		
		MORE THAN REQUIRED TO FILL UP																		
		UNUSED MINC SLOTS.																		
TITLE MNC11-J SHIP LIST				ASSY NO. B-DD-MNC11-J		SIZE A PL		NUMBER MNC11-J-3				REV		ECO NO.						
SHEET 1 OF 1				DIST																

THIS DRAWING AND SPECIFICATIONS, HEREIN, ARE THE PROPERTY OF MILITARY EQUIPMENT CORPORATION AND SHALL NOT BE REPRODUCED OR COPIED IN WHOLE OR IN PART AS THE BASIS FOR THE MANUFACTURE OR SALE OF ANY EQUIPMENT WITHOUT THE WRITTEN PERMISSION OF MILITARY EQUIPMENT CORPORATION © 1978

NOTES:

1. TO CHANGE LINE VOLTAGE SETTING REMOVE SWITCH PLATE AND SET SWITCH TO VOLTAGE SETTING DESIRED. REPLACE SWITCH PLATE TO INDICATE PROPER VOLTAGE SELECTED. (MNC11-AB SYSTEMS)



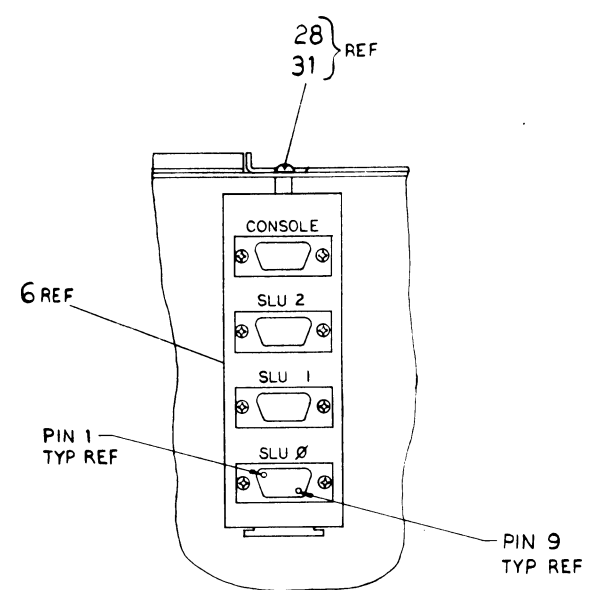
CAUTION:
OFF SHEETS PARTS LIST EXISTS SEE A-PL-MNC11-0-0

DESCRIPTION		DWG. PART NO.	ITEM NO.
UNLESS OTHERWISE SPECIFIED DIMENSIONS ARE IN INCHES			
ANGLES	CLASS OF ACCURACY	NOMINAL DIMENSIONS IN INCHES	
20° 30'	(CHECK ONE)	OVER 0 TO 1.5	OVER 1.5 TO 4.0
SURFACE QUALITY	IN	OVER 4.0 TO 12.0	OVER 12.0 TO 40.0
IN	MEDIUM	±.004	±.008
MICROINCHES	PREFERRED	±.012	±.018
QUANTITY & VARIATION		±.025	±.04
THIRD ANGLE PROJECTION	DRN. <i>J. J. J.</i> 4 Dec 77	FIRST USED ON	MNC11 <i>10101</i>
REMOVE BURRS AND BREAK SHARP CORNERS	CHK'D <i>H. J.</i> 14 Dec 77	TITLE	
DO NOT SCALE DWG	ENG. <i>O. J.</i> 19 Dec 77	MNC11 UNIT ASSY	
MATERIAL SEE PARTS LIST	PROJ. ENG. <i>O. J.</i> 25 Dec 77	SIZE	NUMBER
FINISH NONE	PROD. <i>J. J.</i> 28 Dec 77	D	UA
	NEXT HIGHER ASSY.	SCALE	MNC11-0-0
		SHEET	REV.
		1	
		OF 6	
		DIST.	

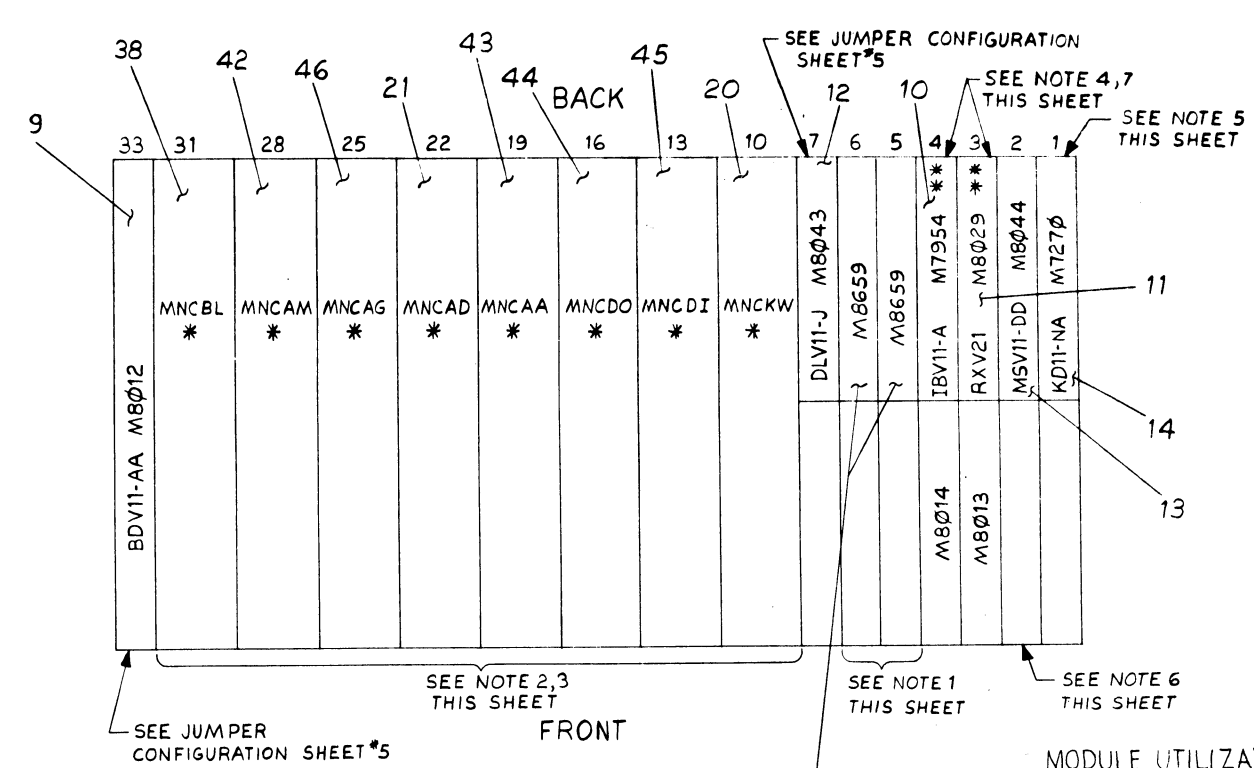
REV.	CHANGE NO.	REVISIONS

"THIS DRAWING AND SPECIFICATIONS HEREIN ARE THE PROPERTY OF DIGITAL EQUIPMENT CORPORATION AND SHALL NOT BE REPRODUCED OR COPIED OR USED IN WHOLE OR IN PART AS THE BASIS FOR THE MANUFACTURE OR SALE OF ITEMS WITHOUT WRITTEN PERMISSION. COPYRIGHT © 1975 DIGITAL EQUIPMENT CORPORATION"

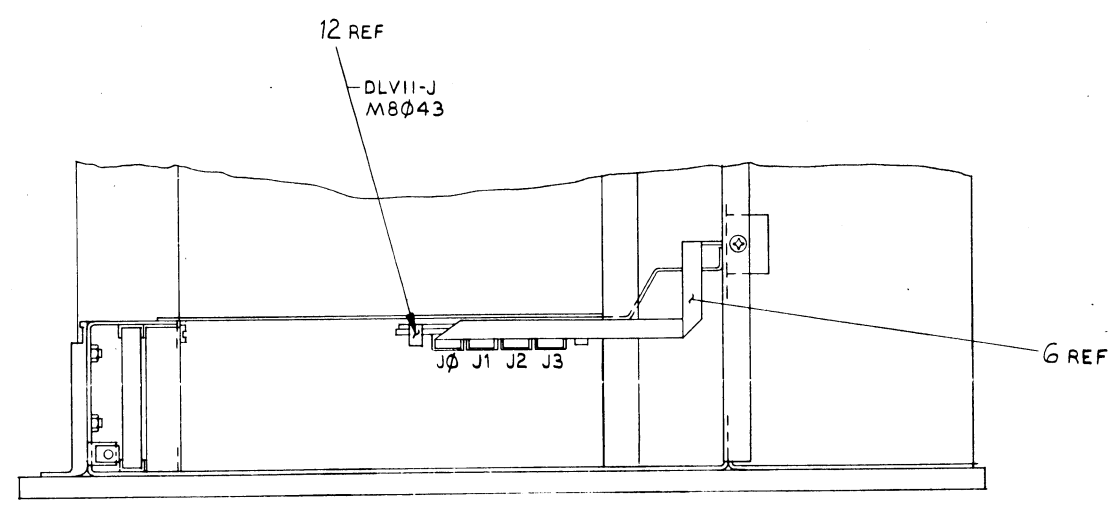
0-0-110111 2



VIEW A-A
SCALE: 1/1
INSTALL AS SHOWN
CONNECTORS FROM DLVII-J (M8043)



MODULE UTILIZATION
(MODULE SIDE)
SCALE: NONE



DETAIL "E"
WITH COVER (ITEM #2) REMOVED
SCALE: 1/2

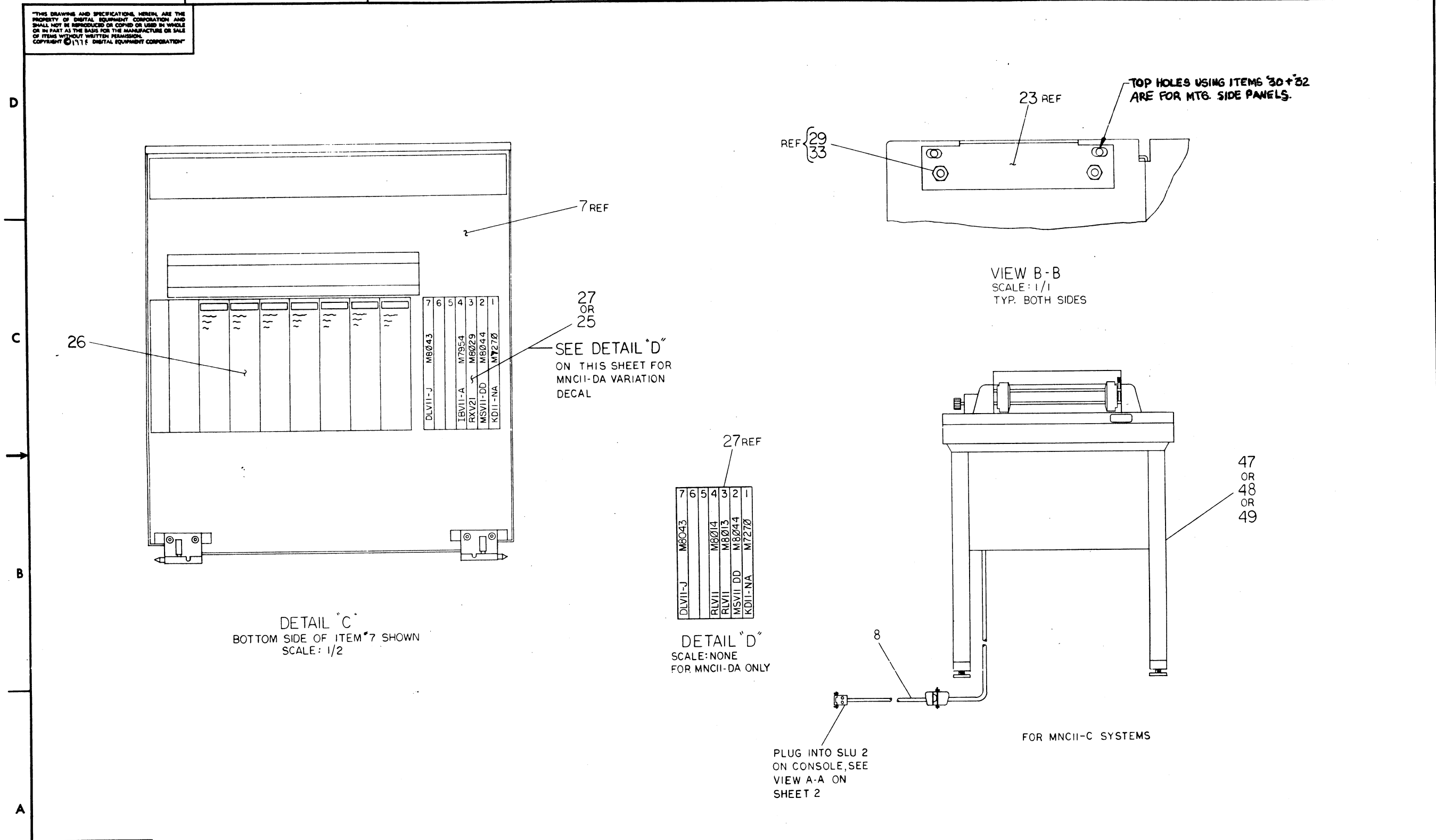
MODULE UTILIZATION NOTES:

1. SLOTS 5 & 6 ARE USED FOR LS111 OPTION EXPANSION ONLY.
2. SLOTS 10 THRU 31 ARE MNC OPTION EXPANSION AREA.
3. * FOR MNC11-C, SYSTEMS ONLY.
4. ** FOR MNC11-D SLOT 3 AND 4 CONTAINS M8014 & M8013 PART OF AN RLVII. M7954 AND M8029 ARE FOR MNC11-B & C VARIATIONS.
5. MODE 2, W6 INSTALLED, W5 REMOVED. PC AT 173000 FOR USER BOOTSTRAP.
W1 INSTALLED CRYSTAL CLOCK
W3 REMOVED ENABLE EVENT LINE
6. MSV11-DD JUMPER CONFIGURATION FOR 30K JUMPER
5 → 7 NON PARITY 16 → 15, 10 → 14 32K
S1-1 ON 1 → 2 30K MEMORY SPACE
S1-2 ON W2 IN
S1-3 ON STARTING LOC W3 IN NON BATTERY
S1-4 ON 000000 W4 OUT BACK UP
S1-5 ON W5 OUT
W1 OUT MEMORY
R3 IN SIZE BLK
7. IBV11-A ADDRESS AND VECTOR CHANGE TO:
ADDRESS 171420
VECTOR 420
S2-1 ON S1-1 ON
S2-2 OFF S1-2 OFF
S2-3 OFF S1-3 OFF
S2-4 ON S1-4 OFF
S2-5 ON S1-5 ON
S2-6 OFF S1-6 OFF
S2-7 OFF S1-7 OFF
S2-8 OFF S1-8 OFF
S2-9 OFF
S2-10 OFF

REVISIONS		
CHK	CHANGE NO.	REV.

TITLE	SIZE CODE	NUMBER	REV.
MNC11 UNIT ASSY	D U A	MNC11-0-0	
SCALE NONE	SHEET 2 OF 6	DIST.	

THIS DRAWING AND SPECIFICATIONS HEREIN ARE THE PROPERTY OF DIGITAL EQUIPMENT CORPORATION AND SHALL NOT BE REPRODUCED OR COPIED OR USED IN WHOLE OR IN PART AS THE BASIS FOR THE MANUFACTURE OR SALE OF ITEMS WITHOUT WRITTEN PERMISSION. COPYRIGHT © 1977 DIGITAL EQUIPMENT CORPORATION



TOP HOLES USING ITEMS 30 + 32 ARE FOR MTG. SIDE PANELS.

REF 29
33

VIEW B-B
SCALE: 1/1
TYP. BOTH SIDES

27 OR 25
SEE DETAIL 'D'
ON THIS SHEET FOR
MNCII-DA VARIATION
DECAL

DETAIL 'C'
BOTTOM SIDE OF ITEM 7 SHOWN
SCALE: 1/2

27 REF
DETAIL 'D'
SCALE: NONE
FOR MNCII-DA ONLY

PLUG INTO SLU 2
ON CONSOLE, SEE
VIEW A-A ON
SHEET 2

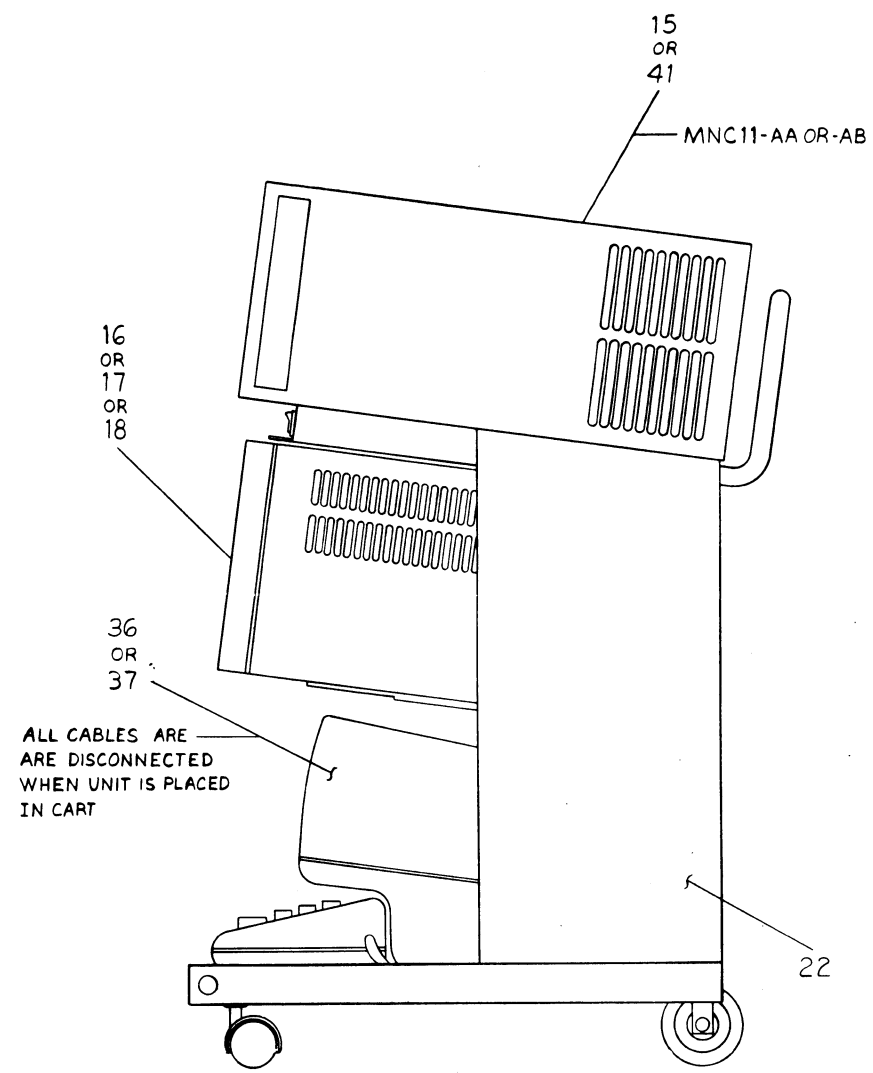
FOR MNCII-C SYSTEMS

REVISIONS		
CHK	CHANGE NO.	REV.

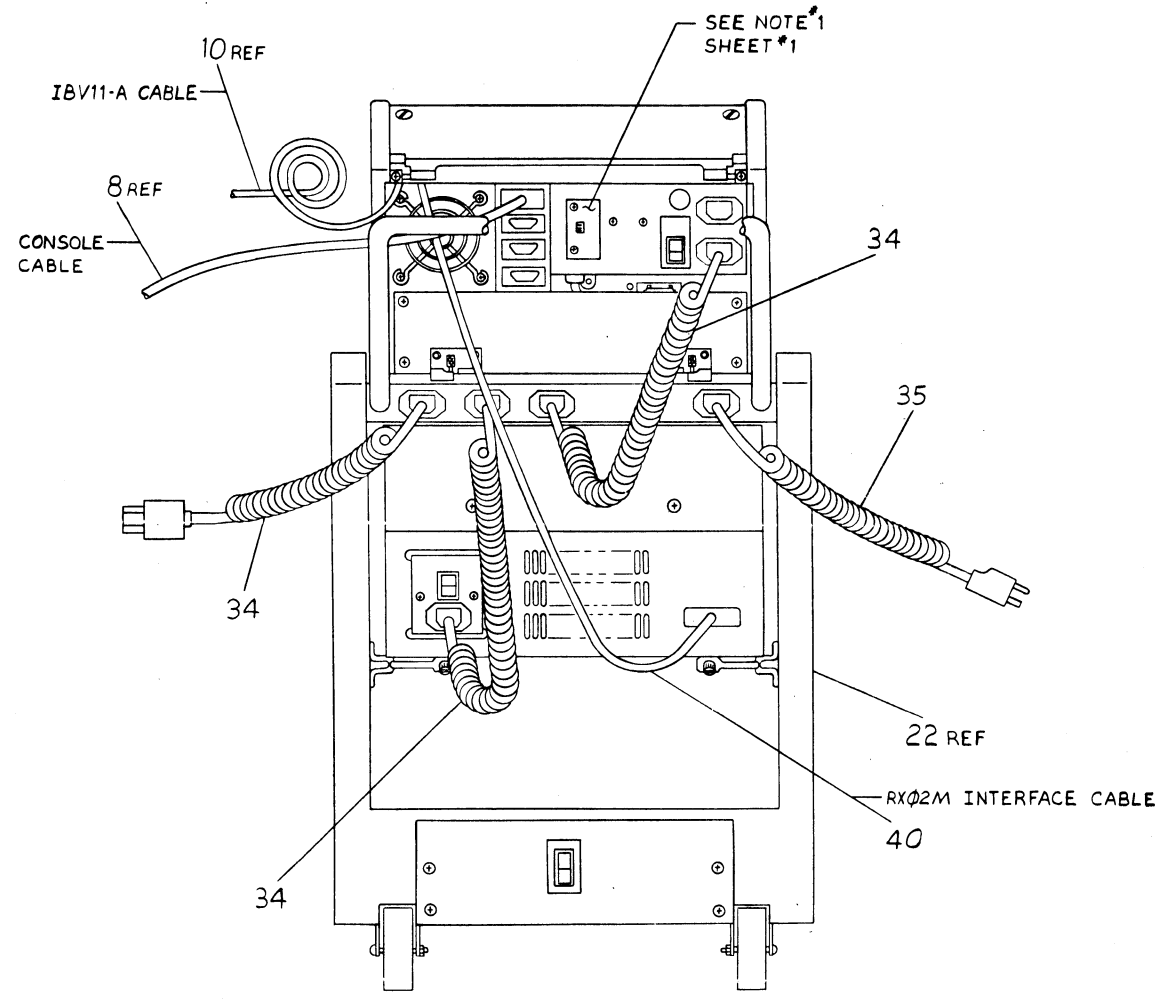
TITLE	SIZE CODE	NUMBER	REV.
MNCII UNIT ASSY	D UA	MNCII-0-0	
SCALE NONE	SHEET 3 OF 6	DIST.	

THIS DRAWING AND SPECIFICATIONS HEREIN ARE THE PROPERTY OF DIGITAL EQUIPMENT CORPORATION AND SHALL NOT BE REPRODUCED OR COPIED OR USED IN WHOLE OR IN PART AS THE BASIS FOR THE MANUFACTURE OR SALE OF ITEMS WITHOUT WRITTEN PERMISSION. COPYRIGHT © 1978 DIGITAL EQUIPMENT CORPORATION

0-0-110NVA02



RIGHT SIDE VIEW
SCALE: NONE



REAR VIEW
SCALE: NONE

REVISIONS		
CHK	CHANGE NO.	REV.

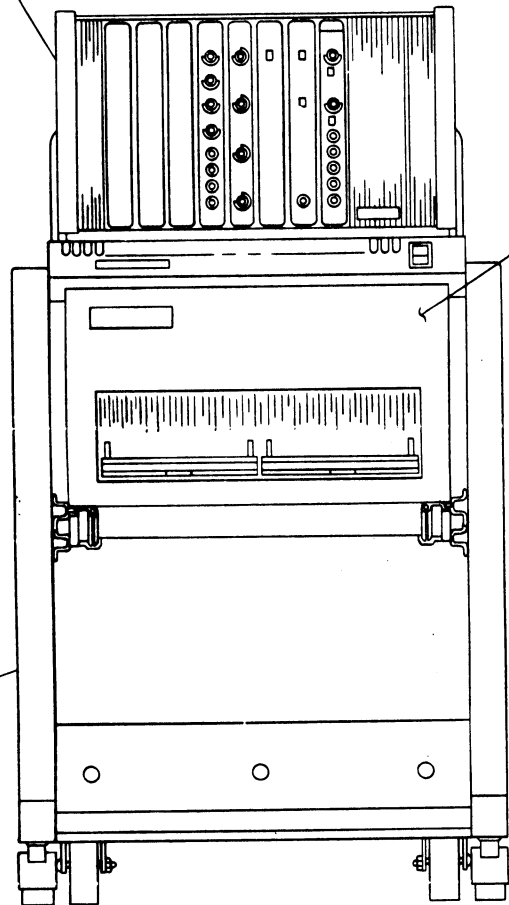
TITLE	SIZE CODE	NUMBER	REV.
MNC11 UNIT ASSY	DUA	MNC11-Ø-Ø	
SCALE NONE	SHEET 4 OF 6	DIST.	

REV. NUMBER DUA MNC11-Ø-Ø

"THIS DRAWING AND SPECIFICATIONS, HEREIN, ARE THE PROPERTY OF DIGITAL EQUIPMENT CORPORATION AND SHALL NOT BE REPRODUCED OR COPIED OR USED IN WHOLE OR IN PART AS THE BASIS FOR THE MANUFACTURE OR SALE OF ITEMS WITHOUT WRITTEN PERMISSION. COPYRIGHT © 1978 DIGITAL EQUIPMENT CORPORATION"

JUMPER CONFIGURATION

15
OR
41 } REF



16
OR
17
OR
18 } REF

22 REF

FRONT VIEW
SCALE: NONE

BDV11-AA (RXØ2M SYSTEM) MNC11-AA

- A1 ON CPU TEST
- A2 ON MEMORY TEST
- A3 OFF
- A4 OFF A SWITCH-E15
- A5 OFF
- A6 ON
- A7 ON RXØ2
- A8 OFF

- B1 OFF
- B2 OFF
- B3 OFF B SWITCH-E21
- B4 OFF
- B5 ON

BDV11-AA (RLØ1 SYSTEM) MNC11-DA

- A1 ON CPU TEST
- A2 ON MEMORY TEST
- A3 OFF
- A4 OFF
- A5 OFF
- A6 OFF
- A7 ON
- A8 OFF

- B1 OFF
- B2 OFF
- B3 OFF
- B4 OFF
- B5 ON

DLV11-J

CONSOLE (J3)

- VECTOR 60
- V5 X→0
 - V6 INSERTED
 - V7 INSERTED

ADDRESS 177560

- C1 X→1
- C2 X→1
- A12 X→1
- A11 X→1
- A10 X→1
- A9 X→0
- A8 X→1
- A7 REMOVED
- A6 INSTALLED
- A5 X→0

DLV11-J

BAUD RATE 9600
N→3

- JUMPER P X→1 NO PARITY
- JUMPER E X→0 ODD PARITY
- JUMPER D X→1 8 DATA BITS
- JUMPER S X→0 1 STOP BIT

X→H HALT ON BREAK

EIA RS423, RS232C

- JUMPER M3 X→3
- JUMPER N3 X→3

JUMPER M INSERTED

SLUØ (JØ)

VECTOR 300
ADDRESS 176500 (110 BAUD 20 MA)

BAUD RATE 9600
N→0

- JUMPER P X→1
- JUMPER E X→0
- JUMPER D X→1 8 DATA BITS
- JUMPER S X→0 1 STOP BITS

- JUMPER MØ X→3
- JUMPER NØ X→3

SLU1 (J1)

VECTOR 310
ADDRESS 176510

BAUD RATE 1200
W→1

- JUMPER P X→1
- JUMPER E X→0
- JUMPER D X→1 8 DATA BITS
- JUMPER S X→1 2 STOP BITS

- JUMPER M1 X→3
- JUMPER N1 X→3

DLV11-J

SLU2 (J2)

VECTOR 320

ADDRESS 176520

BAUD RATE 300
T→2

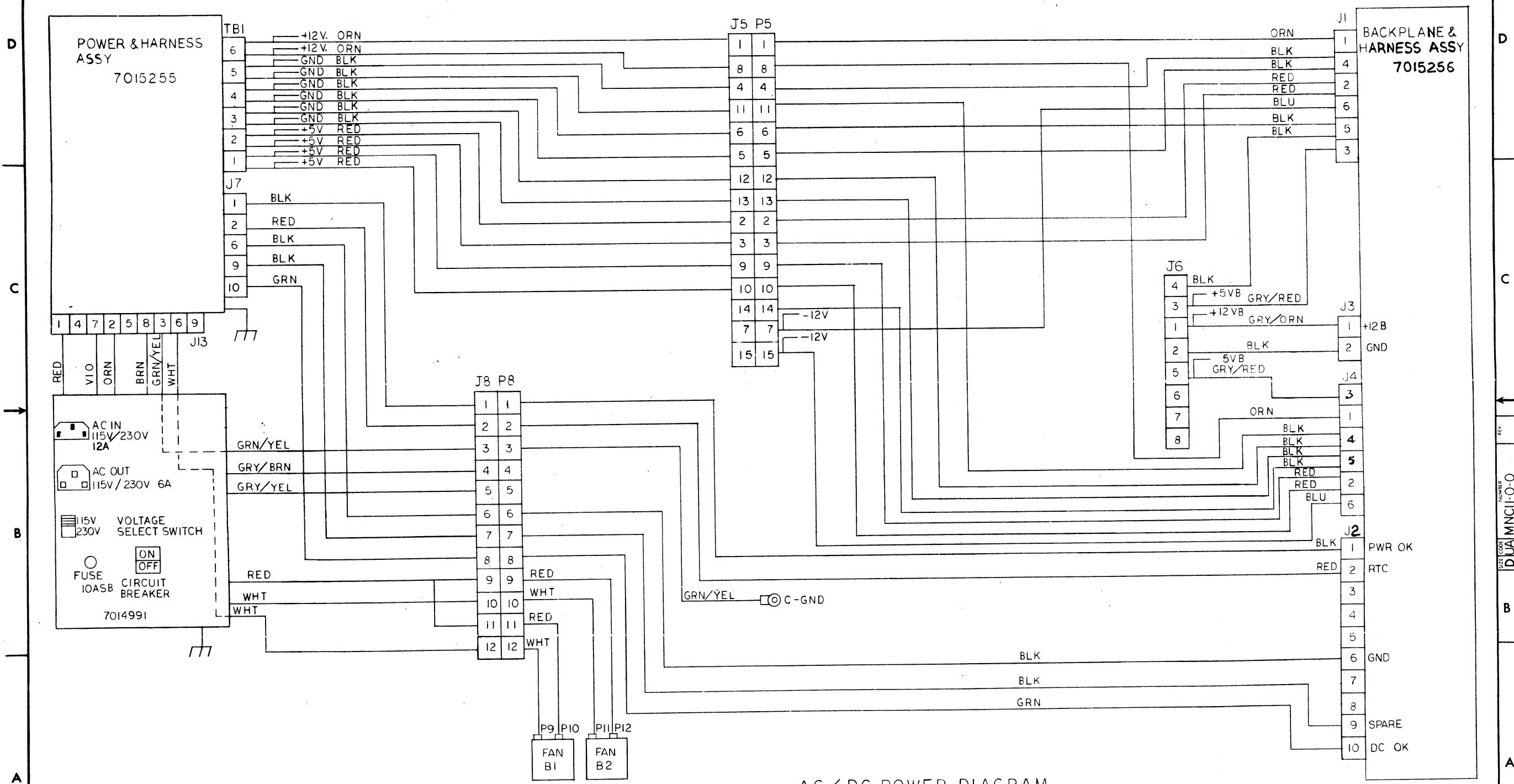
- JUMPER P X→1
- JUMPER E X→0
- JUMPER D X→1 8 DATA BITS
- JUMPER S X→1 2 STOP BITS

- JUMPER M2 X→3
- JUMPER N2 X→3

REVISIONS		
CHK	CHANGE NO.	REV.

TITLE	SIZE/CODE	NUMBER	REV.
MNC11 UNIT ASSY	D UA	MNC11-Ø-Ø	
SCALE NONE	SHEET 5 OF 6	DIST.	

"THIS DRAWING AND SPECIFICATIONS HEREIN ARE THE PROPERTY OF DIGITAL EQUIPMENT CORPORATION AND SHALL NOT BE REPRODUCED OR COPIED OR USED IN WHOLE OR IN PART AS THE BASIS FOR THE MANUFACTURE OR SALE OF ITEMS WITHOUT WRITTEN PERMISSION. COPYRIGHT © 1972 DIGITAL EQUIPMENT CORPORATION"



AC/DC POWER DIAGRAM

REVISIONS		
CHK	CHANGE NO.	REV.

TITLE	MNCII UNIT ASSY	SIZE CODE	D UA	NUMBER	MNCII-0-0	REV.	
SCALE	NONE	SHEET	6 OF 6	DIST.			

DIGITAL EQUIPMENT CORPORATION PARTS LIST				QUANTITY / VARIATION										NOTES:	
MADE BY <i>A. Valencia</i> DATE <i>13-JUL-78</i>		CHECKED <i>J. Huson</i> DATE <i>14 July 78</i>		SECTION <i>1</i>		MNC11-AA	MNC11-BA	MNC11-BC	MNC11-BD	MNC11-CA	MNC11-CC	MNC11-CD	MNC11-DA		MNC11-AB
ENG <i>O.C. fg</i> DATE <i>14-July-78</i>		PROD <i>3000 1000</i> DATE <i>12/10/78</i>		ISSUED SECTION <i>1</i>											
ITEM NO.	DRAWING NO.	PART NO.	DESCRIPTION												
1	E-UA-MNCBA-0-0		MNCBA BOX ASSY	1	-	-	-	-	-	-	-	1	1		
2	D-MD-7420102-0-0	7420102-0	COVER, LOGIC COMPARTMENT	1	-	-	-	-	-	-	-	1	1		
3	D-MD-7420239-0-0	7420239-0	COVER, BOOT MODULE	1	-	-	-	-	-	-	-	1	1		
4	D-AD-7015363-0-0	7015363-0	PANEL, SIDE ASSY (RIGHT)	1	-	-	-	-	-	-	-	1	1		
5	D-AD-7015363-0-0	7015363-1	PANEL, SIDE ASSY (LEFT)	1	-	-	-	-	-	-	-	1	1		
6	D-AD-7015836-0-0	7015836-0	BOX, CONNECTOR ASSY	1	-	-	-	-	-	-	-	1	1		
7	D-IA-7014990-0-0	7014990-0	COVER, TOP ASSY	1	-	-	-	-	-	-	-	1	1		
8	D-IA-7015790-0-0	7015790-0	CABLE, CONSOLE INTERFACE	1	-	-	-	1	1	1	1	1	1		
9	D-UA-BDV11-A-0		UNIT ASSY (BDV11) (M8012)	1	-	-	-	-	-	-	-	1	1		
10	A-PL-IBV11-A-0		LS11/IB INTERFACE (M7954)	1	-	-	-	-	-	-	-	-	1		
11	RXV21		RXV21 M8029	1	-	-	-	-	-	-	-	-	1		
12	A-PL-DLV11-J-0		4 SERIAL LINE PER CTR (M8043)	1	-	-	-	-	-	-	-	1	1		
13	A-PL-MSV11-D-0		32K-16 BIT MOS MEMORY SYSTEM (M8044)	1	-	-	-	-	-	-	-	1	1		
14	A-PL-KD11-NA		LS11 CPU WITH EIS, FIS, NO MEMORY	1	-	-	-	-	-	-	-	1	1		
15	D-UA-MNC11-AA		BASIC MINC (115V 60 HZ)	X	1	1	-	1	1	-	-	-	-		
16	E-UA-RX02M-MA		RX02M UNIT ASSY (115V 60HZ)	-	1	-	-	1	-	-	-	-	-		
17	E-UA-RX02M-MC		RX02M UNIT ASSY (115V 50HZ)	-	-	1	-	-	1	1	-	-	-		
18	E-UA-RX02M-MD		RX02M UNIT ASSY (230V 50HZ)	-	-	-	1	-	-	-	-	-	-		
19	E-UA-RLV11-0-0		DISK CONTROLLER ASSY (RLV11)	-	-	-	-	-	-	-	-	1	-		
20	D-UA-MNCKW-0-0		MNCKW UNIT ASSY	-	-	-	-	1	1	1	-	-	-		
21	D-UA-MNCAD-0-0		MNCAD UNIT ASSY	-	-	-	-	1	1	1	-	-	-		

E.C.O. NO.

"THIS DRAWING AND SPECIFICATIONS, HEREIN, ARE THE PROPERTY OF DIGITAL EQUIPMENT CORPORATION AND SHALL NOT BE REPRODUCED OR COPIED OR USED IN WHOLE OR IN PART AS THE BASIS FOR THE MANUFACTURE OR SALE OF ITEMS WITHOUT WRITTEN PERMISSION. COPYRIGHT © DIGITAL EQUIPMENT CORPORATION"

TITLE
MNC11 UNIT ASSY

ASSY NO.
D-UA-MNC11-0-0
SHEET 1 OF 3

SIZE **B** CODE **PL** NUMBER
MNC11-0-0

REV.

INSERTION PARTS LIST DATA BASE REV

DIGITAL EQUIPMENT CORPORATION PARTS LIST				QUANTITY / VARIATION										NOTES:		
MADE BY <i>C. Nawles</i> DATE <i>13-JUL-78</i>		CHECKED <i>J. Huson</i> DATE <i>14 July 78</i>		SECTION <i>1</i>		MNC11-AA	MNC11-BA	MNC11-BC	MNC11-BD	MNC11-CA	MNC11-CC	MNC11-CD	MNC11-DA	MNC11-AB	REF DESIGNATION	
ENG <i>Oct 78</i> DATE <i>19-July 78</i>		PROD <i>...</i> DATE <i>...</i>		ISSUED SECTION <i>1</i>												
ITEM NO.	DRAWING NO.	PART NO.	DESCRIPTION													
22	D-UA-MNCCT-0-0		CART, MINC	-	1	1	1	1	1	1	1	-	-			
23	C-MD-7420240-0-0	7420240-0	BRKT, SPACER SIDE PANEL	2	-	-	-	-	-	-	-	2	2			
24	D-UA-M8659-0-0		VT71 BUS GRANT	2	-	-	-	-	-	-	-	2	2			
25	A-DC-3615262-0-0	3615262-0	DECAL, PROCESSOR COMP	1	-	-	-	-	-	-	-	-	1			
26	D-DC-3615263-0-0	3615263-0	DECAL, USER INFO.	1	-	-	-	-	-	-	-	1	1			
27	A-DC-3615774-0-0	3615774-0	DECAL, PROCESSOR COMP (MNC11-D)	-	-	-	-	-	-	-	-	1	-			
28		9006021-03	SCR, PHIL TRUSS HD6-32x.31	7	-	-	-	-	-	-	-	7	7			
29		9006037-03	SCR, PHIL TRUSS HD8-32x.38	8	-	-	-	-	-	-	-	8	8			
30		9006039-03	SCR, PHIL TRUSS HD8-32x.50	4	-	-	-	-	-	-	-	4	4			
31		9006633-00	WASHER, INT. TOOTH LOCK #6	7	-	-	-	-	-	-	-	7	7			
32		9006634-00	WASHER, INT. TOOTH LOCK #8	8	-	-	-	-	-	-	-	8	8			
33		9006563-00	NUT, KEPS #8	4	-	-	-	-	-	-	-	4	4			
34		1700150-0	LINE CORD IEC TO IEC	-	3	3	3	3	3	3	3	-	-			
35		1700156-0	LINE CORD 115V TO IEC	-	1	1	1	1	1	1	1	-	-			
36	E-UA-VT105-MA-0		VIDEO TERMINAL 115V/60HZ	-	1	1	-	1	1	-	-	-	-			
37	E-UA-VT105-MB-0		VIDEO TERMINAL 230V/50HZ	-	-	-	1	-	-	-	1	-	-			
38	D-UA-MNCBL-0-0		MNCBL UNIT ASSY	-	-	-	-	1	1	1	-	-	-			
*39	B-IA-7015911-0-0	7015911-0	CONNECTOR, TEST	REF	-	-	-	-	-	-	-	REF	REF			
40	D-IA-7015574-0-0	7015574-0	CABLE, RX02M INTERFACE	1	-	-	-	-	-	-	-	1	1			
41	D-UA-MNC11-AB		BASIC (230V 50HZ)	-	-	-	1	-	-	-	1	-	-			
42	D-UA-MNCAM-0-0		MNCAM UNIT ASSY	-	-	-	-	1	1	1	-	-	-			

THIS DRAWING AND SPECIFICATIONS, HEREIN, ARE THE PROPERTY OF DIGITAL EQUIPMENT CORPORATION AND SHALL NOT BE REPRODUCED OR COPIED OR USED IN WHOLE OR IN PART AS THE BASIS FOR THE MANUFACTURE OR SALE OF ITEMS WITHOUT WRITTEN PERMISSION. COPYRIGHT © DIGITAL EQUIPMENT CORPORATION

TITLE MNC11 UNIT ASSY

ASSY NO. D-UA-MNC11-0-0
SHEET 2 OF 3

SIZE B CODE PL NUMBER MNC11-0-0
INSERTION PARTS LIST DATA BASE REV

REV.

DIGITAL EQUIPMENT CORPORATION PARTS LIST

MADE BY <i>B. Vauk</i>	CHECKED <i>J. HUSON</i>	SECTION <i>1</i>
DATE <i>13-JUL-78</i>	DATE <i>14 July 78</i>	
ENG <i>A. C. P.</i>	PROD <i>Bob Smith</i>	ISSUED SECTION <i>1</i>
DATE <i>19-JUL-78</i>	DATE <i>19 July 78</i>	

QUANTITY / VARIATION

NOTES:

ITEM NO.	DRAWING NO.	PART NO.	DESCRIPTION	MNC11-AA	MNC11-BA	MNC11-BC	MNC11-BD	MNC11-CA	MNC11-CC	MNC11-CD	MNC11-DA	MNC11-AB								REF DESIGNATION
43	D-UA-MNCAA-0-0		MNCAA UNIT ASST	-	-	-	-	1	1	1	-	-								
44	D-UA-MNCDO-0-0		MNCDO UNIT ASSY	-	-	-	-	1	1	1	-	-								
45	D-UA-MNCDI-0-0		MNCDI UNIT ASSY	-	-	-	-	1	1	1	-	-								
46	D-UA-MNCAG-0-0		MNCAG UNIT ASSY	-	-	-	-	1	1	1	-	-								
47	E-UA-LA35-0-0		LA35-HE UNIT ASSY	-	-	-	-	1	-	-	-	-								
48	E-UA-LA35-0-0		LA35-HH UNIT ASSY	-	-	-	-	-	1	-	-	-								
49	E-UA-LA35-0-0		LA35-HS UNIT ASSY	-	-	-	-	-	-	1	-	-								
			* THIS PART IS FOR TEST ONLY																	

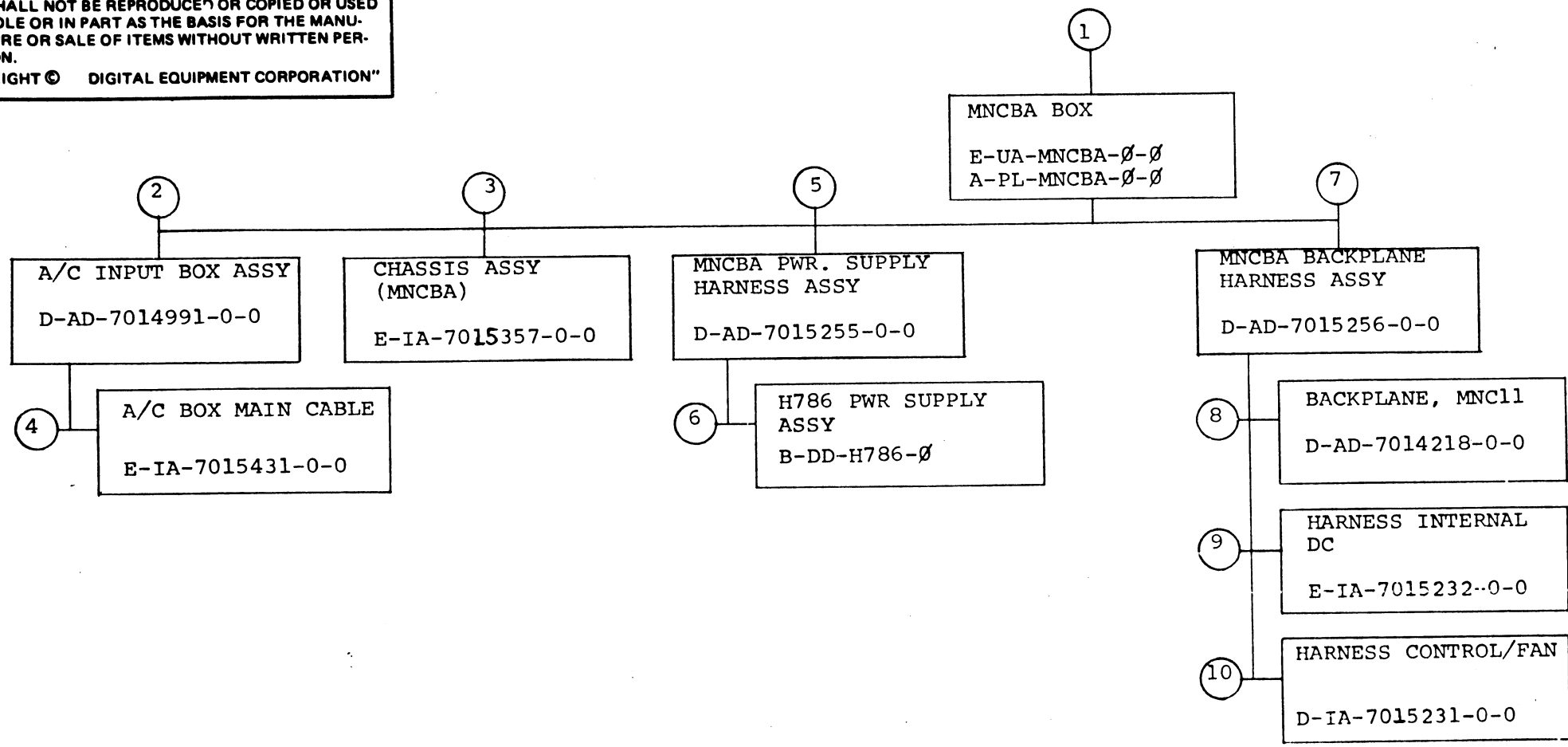
**DIGITAL EQUIPMENT CORPORATION
MAYNARD, MASSACHUSETTS
PARTS LIST**

MADE BY <i>Q. A. Swine</i>	CHECKED <i>F. Halladay</i>	SECTION 1
DATE <i>11-OCT-78</i>	DATE <i>14 NOV-78</i>	
ENG <i>OC FL</i>	PROD <i>F. Clow</i>	ISSUED SECT. 1
DATE <i>22-NOV-8</i>	DATE <i>22 NOV 78</i>	


QUANTITY VARIATION

ITEM NO.	DWG NO./PART NO.	DESCRIPTION	MNC11-LA	MNC11-LD	QUANTITY VARIATION															
1	D-UA-MNC11-LA	RLØ1/MNC SYS 115V/6ØHZ	1	-																
2	D-UA-MNC11-LD	RLØ1/MNC SYS 23ØV/5ØHZ	-	1																
3	AX-E380 ()-MC **	DIAGNOSTIC PACK	1	1																
4	D-UA-MNCBL-Ø-Ø *	BLANK MODULE	1	1																
5	QJØ13-AQ	RT-11 V3B	1	1																
6	QJ813-AQ	FORTAN IV V2.1	1	1																
7	QJV35-AQ	FEP-11 V1	1	1																
8	EB-15115	MICROCOMPUTER PROCESSORS	1	1																
9	EB-15114	MEMORIES AND PERIPHERALS	1	1																
10	EK-MNC11-UG	DECLAB-11/MNC USER'S GUIDE	1	1																
11	EK-VT1Ø5-UG-ØØ	VT1Ø5 USERS GUIDE	1	1																
12	MPØØ7Ø9	MNC11-J UNIT ASSY (PRINT SET)																		
		NOTE: *FILL UP ALL UNUSED MINC SLOTS WITH																		
		ITEM #4 TOTAL NUMBER OF MNCBL'S																		
		SHOULD ALWAYS BE ONE MORE THAN																		
		REQUIRED TO FILL UP UNUSED MINC																		
		SLOTS.																		
		**LATEST REV LEVEL ()																		
TITLE MNC11-L SHIP LIST		ASSY NO. B-DD-MNC11-J	SIZE A	CODE PL	NUMBER MNC11-L-2					REV	ECO NO.									
SHEET 1 OF 1		DIST																		

"THIS DRAWING AND SPECIFICATIONS, HEREIN, ARE THE PROPERTY OF DIGITAL EQUIPMENT CORPORATION AND SHALL NOT BE REPRODUCED OR COPIED OR USED IN WHOLE OR IN PART AS THE BASIS FOR THE MANUFACTURE OR SALE OF ITEMS WITHOUT WRITTEN PERMISSION.
 COPYRIGHT © DIGITAL EQUIPMENT CORPORATION"



TITLE	MNCBA BOX	SIZE CODE	NUMBER	REV
		B DD	MNCBA-Ø	
SHEET 2 OF 4				

FIND NO.	DRAWING NO.	DESCRIPTION	TYPE	FIND NO.	DRAWING NO.	DESCRIPTION	TYPE								
1				4	E-IA-7015431-0-0	A/C BOX - MAIN CABLE	E/M								
	E-UA-MNCBA-Ø-Ø	MNCBA BOX	E/M		A-DC-7409873-2-0	DECALS, POWER CONNECTOR	M								
	A-PL-MNCBA-Ø-Ø	MNCBA BOX	E/M												
	D-IA-7420278-0-0	COVER, BOTTOM	M												
	C-IA-7419895-0-0	PANEL, FRONT BREATHER	M												
	C-PS-4830036-0-0	EXTRUSION, FRONT BREATHER PANEL	M												
	D-MD-7419871-0-0	FILLER, POWER SUPPLY	M												
	D-MD-7419877-0-0	SHELF, STRAIN RELIEF	M												
	C-IA-7419896-0-0	PANEL, FRONT CORNER	M												
	C-PS-4830037-0-0	EXTRUSION, FRONT PANEL CORNER	M	5	D-AD-7015255-0-0	MNCBA PWR. SUPPLY HARNESS ASSY	E/M								
					D-IA-7015214-0-0	HARNESS POWER SUPPLY	E/M								
2	D-AD-7014991-0-0	A/C INPUT BOX ASSY	E/M												
	D-IA-7419882-0-0	BOX, A/C INPUT	M	6	B-DD-H786-Ø	H786 POWER SUPPLY ASSY	E/M								
	D-MD-7419884-0-0	COVER, A/C BOX	M												
	C-IA-7418378-0-0	PLATE, VOLTAGE SELECT	M												
	C-IA-7015432-0-0	VOLTAGE SWITCH ASSY	E/M												
	C-IA-7015521-0-0	CONN. PWR. RECP. (FEMALE)	E/M												
	C-IA-7015522-0-0	CONN. PWR. RECP. (MALE)	E/M												
				7	D-AD-7015256-0-0	MNCBA BACKPLANE HARNESS ASSY	E/M								
3	E-IA-7015357-0-0	CHASSIS ASSY (MNCBA)	M												
	E-IA-7419879-0-0	CHASSIS	M												
	E-MD-7419880-0-0	COMPARTMENT, POWER SUPPLY	M												
	B-MD-7419878-0-0	BRKT, TOP COVER PIVOT	M												
	D-MD-7419876-0-0	PARTITION, FAN	M	8	D-AD-7014218-0-0	BACKPLANE	E/M								
	D-IA-7419859-0-0	CARD-GUIDE SUPPORT REAR	M		5012292	ETCH BOARD	E/M								
	D-IA-7419875-0-0	SUPPORT, FRONT PANEL	M		D-MD-7418990-0-0	MOUNTING BAR	M								
	D-IA-7419873-0-0	SUPPORT, FRONT SINGLE CARD-GUIDE	M		B-MD-7417041-0-0	CONN BLOCK 288 PIN	M								
	D-MD-7419865-0-0	BRKT, SUPPORT POWER SUPPLY	M		B-MD-7417042-0-0	CONN BLOCK 72 PIN	M								
	E-MD-7420233-0-0	PARTITION, LOGIC	M		A-SP-7014218-0-1	ASSY SPEC. BACKPLANE	REF								
	B-MD-7420243-0-0	STRIKE, PIVOT	M		D-DA-9505110-0-0	FIXTURE, MINC	REF								
					C-MD-7419331-0-0	MODULE, STIFFENER	REF								
					A-DC-7411881-0-0	DECAL, LOGIC ASSY	E/M								
TYPE: E ELECTRICAL M MECHANICAL E/M ELECTRO/MECHANICAL						TITLE MNCBA BOX		SHEET 3 OF 4		SIZE CODE B DD		NUMBER MNCBA-Ø		REV	

FIND NO.	DRAWING NO.	DESCRIPTION	TYPE	FIND NO.	DRAWING NO.	DESCRIPTION	TYPE
	A-WT-7014218-0-0	AWT REVISION STATUS	REF				
	3700040	PACKAGING INSTRUCTION	REF				
9	D-IA-7015232-0-0	HARNES INTERNAL D.C.					
	A-DC-7409872-0-0	DECALS PWR HARNES					
	A-DC-7409873-0-0	DECALS PWR HARNES					
	B-IA-7419885-0-0	BRT. BATT. BACKUP CONN.					
10	D-IA-7015231-0-0	HARNES CONTROL/FAN					
	A-DC-7409872-0-0	DECAL PWR HARNES					

TYPE: E ELECTRICAL
M MECHANICAL
E/M ELECTRO/MECHANICAL



TITLE MNCBA BOX

SHEET 4 OF 4

SIZE B DD

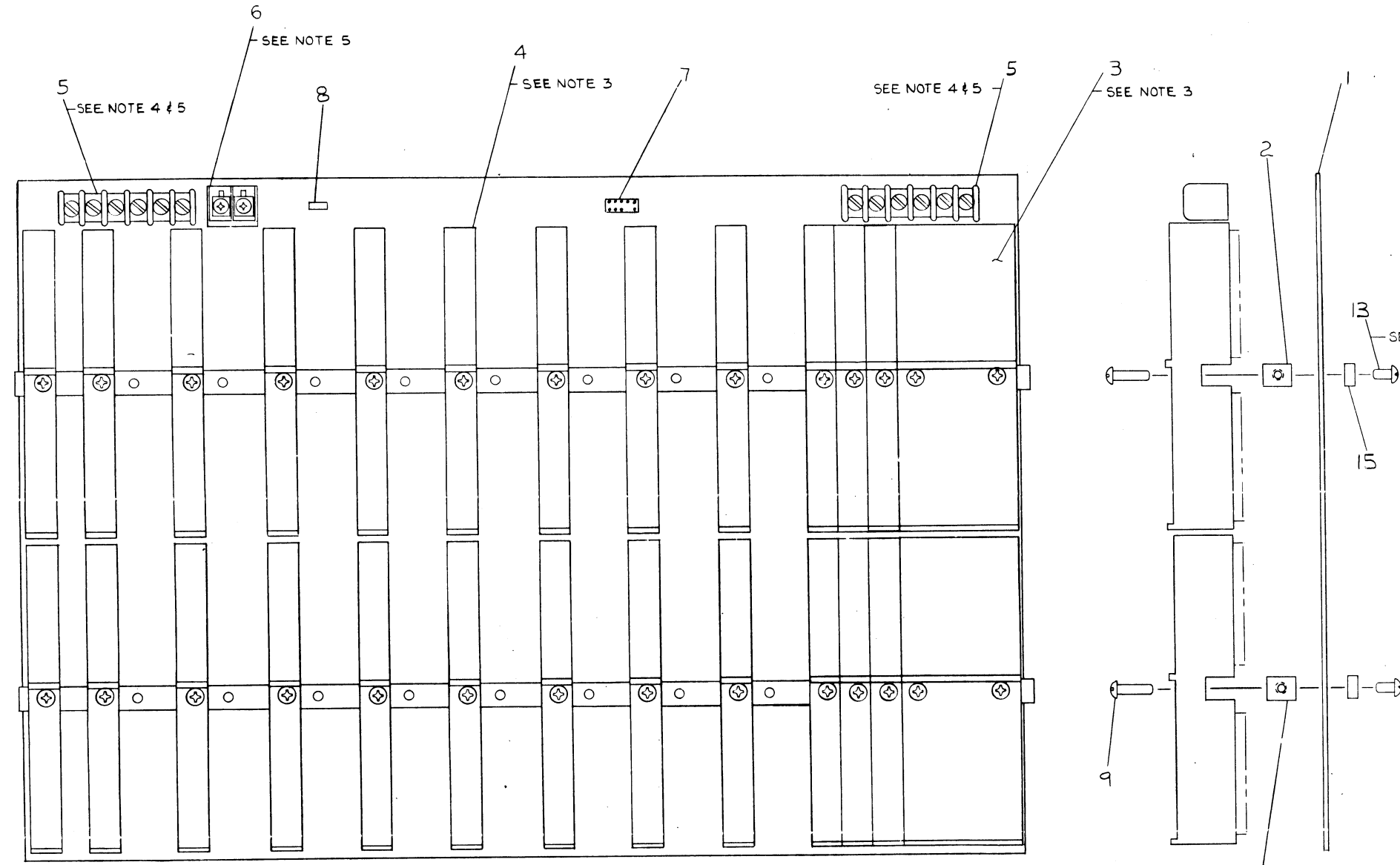
NUMBER MNCBA-Ø

REV

"THIS DRAWING AND SPECIFICATIONS HEREIN ARE THE PROPERTY OF DIGITAL EQUIPMENT CORPORATION AND SHALL NOT BE REPRODUCED OR COPIED OR USED IN WHOLE OR IN PART AS THE BASIS FOR THE MANUFACTURE OR SALE OF ITEMS WITHOUT WRITTEN PERMISSION.
 COPYRIGHT © 1977, DIGITAL EQUIPMENT CORPORATION"

NOTES:

1. ITEMS NO 13 + 15 TO BE USED BY MANUFACTURING ONLY. REMOVE BEFORE FINAL SHIPMENT.
2. PIN 4 ON ITEM NO 7 TO BE REMOVED
3. USE ONLY WIDE LEAD IN ANGLE CONNECTOR BLOCKS.
4. ITEM #5 TO BE MOUNTED WITH WRITING TOWARDS BLOCKS.
5. ON ITEMS #5 AND #6 CUT PINS BELOW THE HEIGHT OF THE PINS ON THE CONNECTOR BLOCKS.



REF	PACKAGING INSTRUCTION	3700040	18
REF	AWT REVISION STATUS	A-WT-7014218-0-0	17
1	DECAL, LOGIC ASSY	A-DC-7411881-0-0	16
REF	MODULE STIFFENER	C-MD-7419331-0-0	15
1	COMPRESS O-CARTON	9905016-04	14
REF	SCR, PHL PAN #8-32 X .31	9006036-01	13
REF	LAYOUT, BACKPLANE	D-LO-7607520-00	12
REF	FIXTURE, MINC	D-DA-9505110-00	11
REF	ASSY SPEC, BACKPLANE	A-SP-7014218-1-0	10
28	SCR, POSI DR #8-32 X .625	9006120-06	9
1	JUMPER (INSULATED)	9009185	8
1	CONN, 5X2	1213488	7
1	CONN, TERMINAL	1213464	6
2	CONN, TERMINAL	1212484	5
24	CONN. BLOCK 72 PIN	B-MD-7417042-0-0	4
2	CONN. BLOCK 288 PIN	B-MD-7417041-0-0	3
2	MOUNTING BAR	D-MD-7418790-0-0	2
1	ETCH BOARD	5012292	1

DESCRIPTION		DWG./PART NO.	ITEM NO.
UNLESS OTHERWISE SPECIFIED DIMENSIONS ARE IN INCHES			
ANGLES 30° 30'	CLASS OF ACCURACY	NOMINAL DIMENSION RANGE INCHES	
SURFACE QUALITY IN	(CHECK ONE)	OVER 0 TO 0.2	OVER 0.2 TO 0.5
		0.2 TO 0.5	0.5 TO 1.0
MICROINCHES	PREFERRED	±0.004	±0.008
		±0.012	±0.016
		±0.025	±0.04
		±0.06	±0.1

REVISIONS	CHK	CHANGE NO.	REV.
	JH	7014218-MR0001-A	A
	JH	7014218-13-106	
	ARTUR	C.FILZ	

THIRD ANGLE PROJECTION

REMOVE BURRS AND BREAK SHARP CORNERS

DO NOT SCALE DWG

MATERIAL SEE PARTS LIST

FINISH NONE

DRN: M. Russell (1 APR 77)

CHK'D: J. H. (1 MAY 77)

ENG: C. Kelly (13 JUN 77)

PROJ. ENG: J. (1 DEC 77)

PROD: O. C. F. (1 DEC 77)

NEXT HIGHER ASSY.

D-AD-7015256-0-0

SCALE 1/1

SHEET 1 OF 1

FIRST USED ON: MNC11

TITLE: BACKPLANE, MNC11

SIZE CODE: D

NUMBER: 7014218-0-0

REV: A

"THE MATERIAL HEREIN IS FOR INFORMATION PURPOSES ONLY AND IS SUBJECT TO CHANGE WITHOUT NOTICE. DIGITAL EQUIPMENT CORPORATION ASSUMES NO RESPONSIBILITY FOR ANY ERRORS WHICH MAY APPEAR HEREIN."

DRAWING DIRECTORY

"THIS DRAWING AND SPECIFICATIONS, HEREIN, ARE THE PROPERTY OF DIGITAL EQUIPMENT CORPORATION AND SHALL NOT BE REPRODUCED OR COPIED OR USED IN WHOLE OR IN PART AS THE BASIS FOR THE MANUFACTURE OR SALE OF ITEMS WITHOUT WRITTEN PERMISSION. COPYRIGHT © 1978 DIGITAL EQUIPMENT CORPORATION."

UNIT VARIATIONS	
VAR	TITLE
MNCAD	MNCAD UNIT ASSY

REVISIONS	CHK	CHANGE NO.	REV.	USED ON OPTION/MODEL	DRN.	DATE	TITLE	<div style="border: 1px solid black; padding: 2px; display: inline-block; font-weight: bold;">digital</div> MNCAD UNIT ASSY		
	ER	MNCAD - 1	A		MNCAD	<i>M. Andria</i>	29 Dec 77			
	GR	MNCAD-MR2	B			CHK'D.	DATE			
						<i>F. Halliday</i>	13 Feb 78			
					PROJ. ENG.	DATE				
					<i>A. E. Kelly</i>	3/21/78	SIZE	CODE	NUMBER	REV
					PROD.	DATE	B	DD	MNCAD-Ø	B
				SHEET 1 OF 3	<i>[Signature]</i>	3/21/78	DIST.			

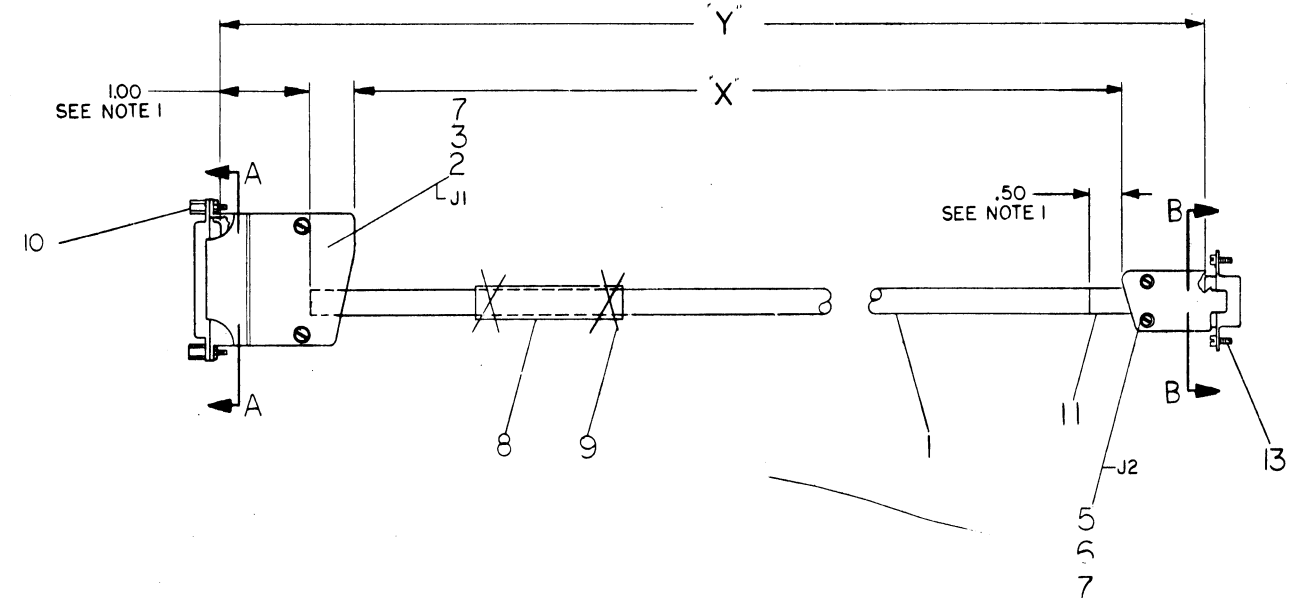
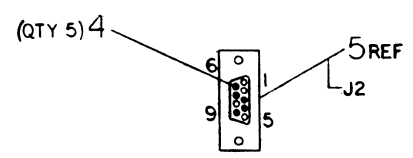
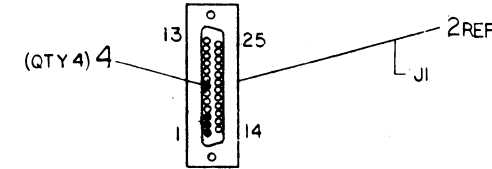
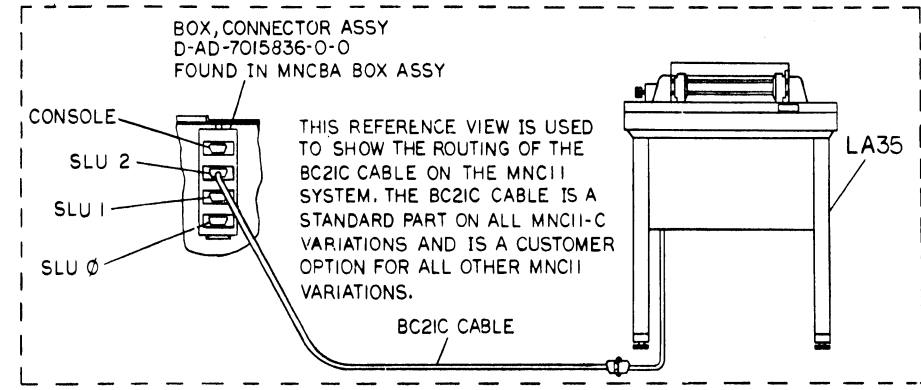
100

THIS DRAWING AND SPECIFICATIONS HEREIN ARE THE PROPERTY OF DIGITAL EQUIPMENT CORPORATION AND SHALL NOT BE REPRODUCED OR COPIED OR USED IN WHOLE OR IN PART AS THE BASIS FOR THE MANUFACTURE OR SALE OF ITEMS WITHOUT WRITTEN PERMISSION.
 COPYRIGHT © 1978, DIGITAL EQUIPMENT CORPORATION

WIRE TABLE							
ITEM NO	DESCRIPTION	FROM		TO		REMARK	
		AWG	COLOR	CONN	WITH		CONN
2	BLK	J1-7	ITEM *4	J2-6	ITEM *4	SG GND	
↑	WHT	J1-2	ITEM *4	J2-7	ITEM *4	XMITT	
↓	SHIELD	J1-1	ITEM *4			A GND	
↑	RED	J1-3	ITEM *4	J2-4	ITEM *4	RECTDATA	
↓	BLK			J2-9	ITEM *4		
22	SHIELD			J2-3	ITEM *4		

LEGEND		
NUMBER	DIM 'X' VAR	DIM 'Y' PRECUT VAR
BC2IC-10	9FT.-9"IN. ±.50 IN.	10 FT. ±.50 IN.

NOTES
 1. CUT BACK OUTER JACKET OF CABLE ITEM 1 TO DIMENSIONS INDICATED. ADD APPROX 1 INCH OF SHRINK TUBING ITEM 11 TO J2 ONLY.



QTY	DESCRIPTION	DWG. PART NO.	ITEM NO.
2	SCR., RETAINER MALE	1210493-51	13
1	INSTR. PKG. CABLE BC2IC	A-SP3700409-0-0	12
AVR	TUBING, SHRINK	9107252	11
2	SCREWLOCK	900R451	10
2	CABLE TIE	90C7031	9
1	LABEL, CABLE IDENT	9009632	8
AVR	DECALS, PWR CONNECTOR	A-DC-7409873-2-0	7
1	HOOD, 9 POSITION	1215244-01	6
1	HOUSING, 9 SKT	1211244-01	5
9	CONTACT, SKT	9009762	4
1	HOOD, 25 POSITION	1210493-50	3
1	RECEPTACLE ASSY	1211354	2
AVR	CABLE, 6 CONDUCTOR	9107723	1

UNLESS OTHERWISE SPECIFIED DIMENSIONS ARE IN INCHES	
ANGLES	CLAS OF ACCURACY
30° 30'	OVER 0 TO 1.2
SURFACE QUALITY	CHECK OTHER
MEDIUM	±.004 ±.008 ±.012 ±.016 ±.024 ±.04
MICRONICHES	PREFERRED
	±.012 ±.016 ±.025 ±.04 ±.053 ±.1

THIRD ANGLE PROJECTION

REMOVE BURRS AND BREAK SHARP CORNERS

DO NOT SCALE DWG

MATERIAL SEE PARTS LIST

FINISH NONE

QUANTITY & VARIATION

DRN. *[Signature]* 11-28-78

CHK'D *[Signature]* 12-1-78

ENG. *[Signature]* 12-1-78

PROJ. ENG. *[Signature]* 12-1-78

PROD. *[Signature]* 12-1-78

FIRST USED ON MNC11

TITLE CABLE, PRINTER INTERFACE

SIZE CODE D IA

NUMBER BC2IC-0-0

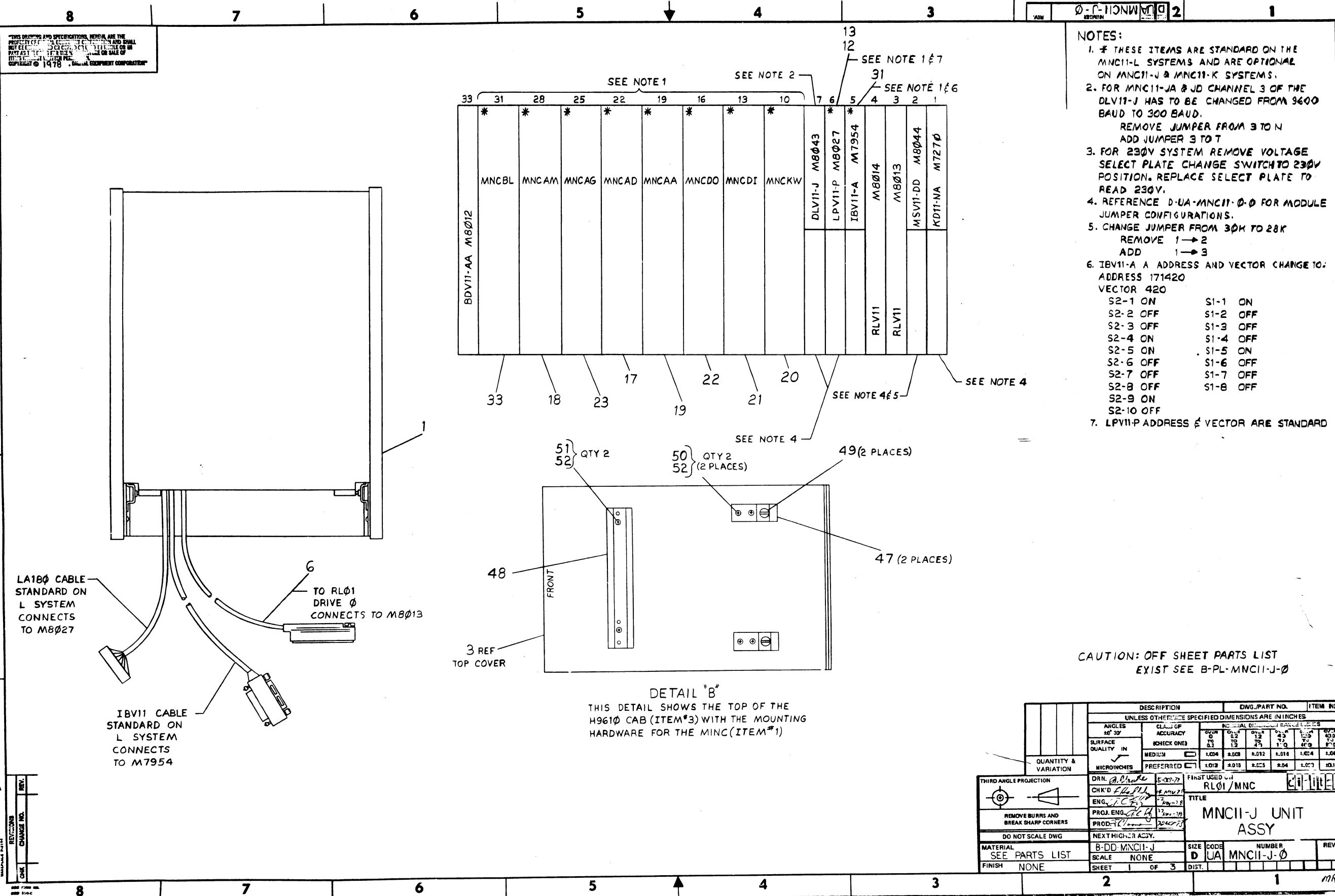
REV.

SHEET 1 OF 1

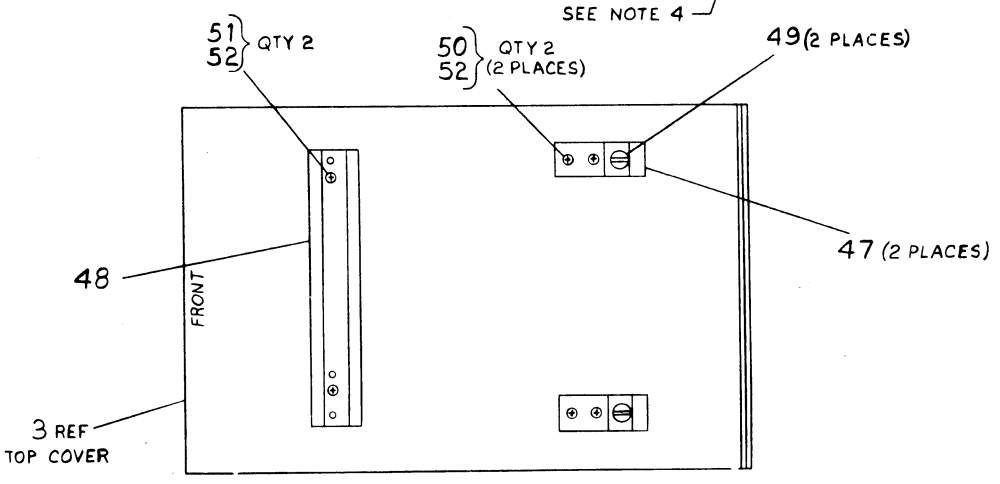
REVISIONS
 CHANGE NO.
 DATE

1210493-51
 BC2IC-0-0
 1
 MR

THIS DRAWING AND SPECIFICATIONS, HEREIN, ARE THE PROPERTY OF...
 NOT BE REPRODUCED, COPIED, EITHER WHOLLY OR IN PART, FOR ANY PURPOSE, WITHOUT THE WRITTEN PERMISSION OF...
 COPYRIGHT © 1978...
 MILITARY EQUIPMENT CORPORATION



- NOTES:**
- * THESE ITEMS ARE STANDARD ON THE MNCII-L SYSTEMS AND ARE OPTIONAL ON MNCII-J & MNCII-K SYSTEMS.
 - FOR MNCII-JA & JD CHANNEL 3 OF THE DLV11-J HAS TO BE CHANGED FROM 9600 BAUD TO 300 BAUD.
 REMOVE JUMPER FROM 3 TO 4
 ADD JUMPER 3 TO 7
 - FOR 230V SYSTEM REMOVE VOLTAGE SELECT PLATE CHANGE SWITCH TO 230V POSITION. REPLACE SELECT PLATE TO READ 230V.
 - REFERENCE D-UA-MNCII-0-0 FOR MODULE JUMPER CONFIGURATIONS.
 - CHANGE JUMPER FROM 30K TO 28K
 REMOVE 1 → 2
 ADD 1 → 3
 - IBV11-A ADDRESS AND VECTOR CHANGE TO:
 ADDRESS 171420
 VECTOR 420
 S2-1 ON S1-1 ON
 S2-2 OFF S1-2 OFF
 S2-3 OFF S1-3 OFF
 S2-4 ON S1-4 OFF
 S2-5 ON S1-5 ON
 S2-6 OFF S1-6 OFF
 S2-7 OFF S1-7 OFF
 S2-8 OFF S1-8 OFF
 S2-9 ON
 S2-10 OFF
 - LPV11-P ADDRESS & VECTOR ARE STANDARD



DETAIL 'B'
 THIS DETAIL SHOWS THE TOP OF THE H9610 CAB (ITEM*3) WITH THE MOUNTING HARDWARE FOR THE MINC (ITEM*1)

CAUTION: OFF SHEET PARTS LIST EXIST SEE B-PL-MNCII-J-0

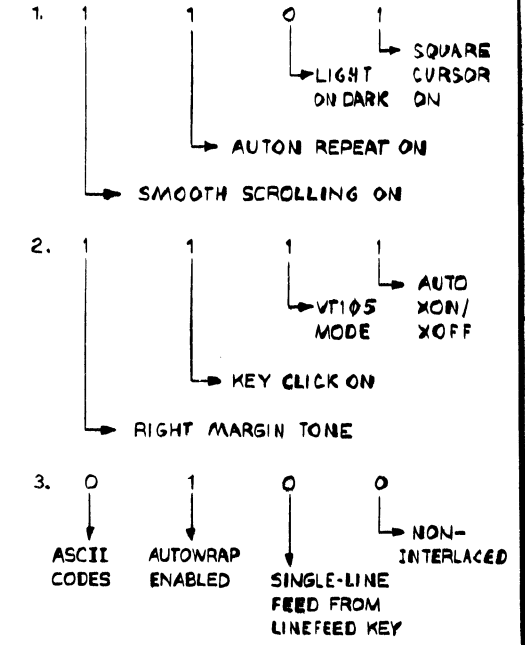
DESCRIPTION	DWG. PART NO.	ITEM NO.
UNLESS OTHERWISE SPECIFIED DIMENSIONS ARE IN INCHES		
ANGLES 90° 30'	CLASS OF ACCURACY	NO. OF DECIMAL PLACES
SURFACE QUALITY IN	CHECK ONE	0.001 0.002 0.003 0.004 0.005 0.006 0.007 0.008 0.009 0.010
QUANTITY & VARIATION	MEDIUM	1.004 1.008 1.012 1.016 1.024 1.04
THIRD ANGLE PROJECTION	PREFERRED	1.012 1.016 1.024 1.032 1.04
DRN. <i>A. Brubaker</i>	5-207-77	FIRST USED
CHK'D <i>L. H. P. H.</i>	8-207-77	RL01/MNC
ENG. <i>J. C. H.</i>	12-207-77	TITLE
PROJ. ENG. <i>R. C. H.</i>	12-207-77	MNCII-J UNIT ASSY
PROD. <i>R. C. H.</i>	12-207-77	
DO NOT SCALE DWG	NEXT HIGHER ASSY.	
MATERIAL SEE PARTS LIST	B-DD-MNCII-J	SIZE CODE NUMBER
FINISH NONE	SCALE NONE	D UA MNCII-J-0
	SHEET 1 OF 3	DIST.

REV. 1	CHANGE NO.	DATE

THIS DRAWING AND SPECIFICATIONS, HEREIN, ARE THE PROPERTY OF DIGITAL EQUIPMENT CORPORATION AND SHALL NOT BE REPRODUCED OR COPIED OR USED IN WHOLE OR IN PART AS THE BASIS FOR THE MANUFACTURE OR SALE OF ITEMS WITHOUT WRITTEN PERMISSION. COPYRIGHT © 1978 DIGITAL EQUIPMENT CORPORATION

0-110NWTM 2

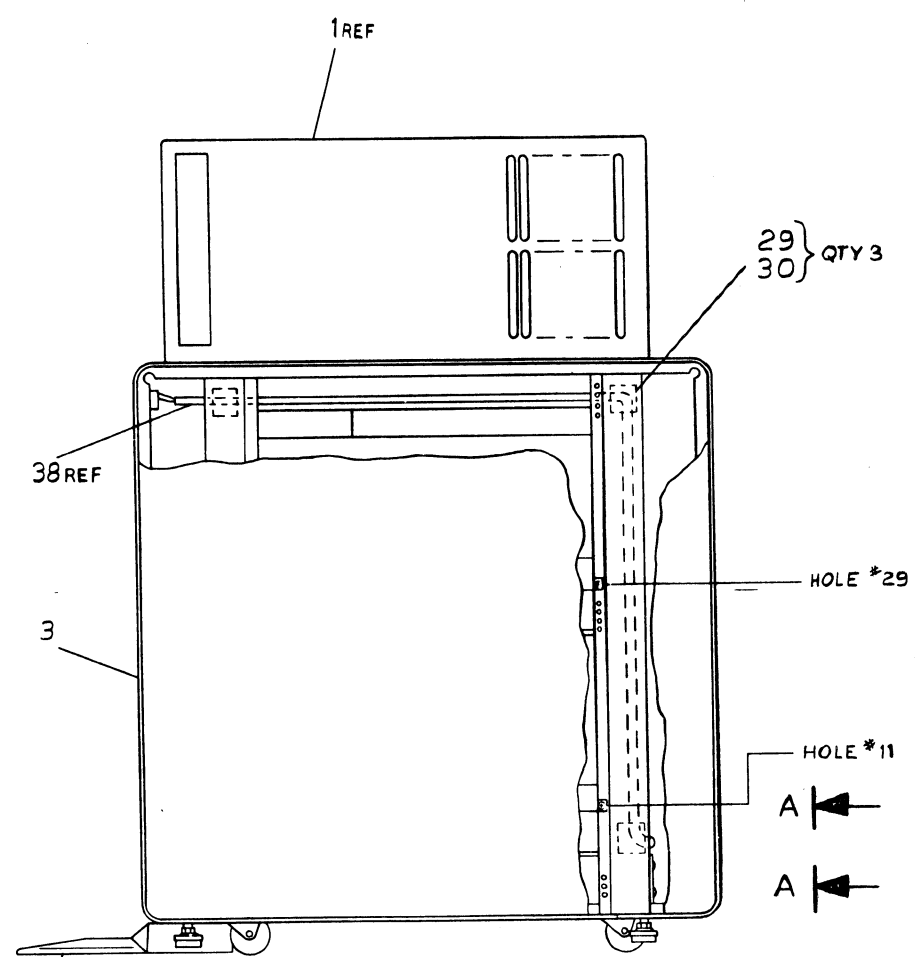
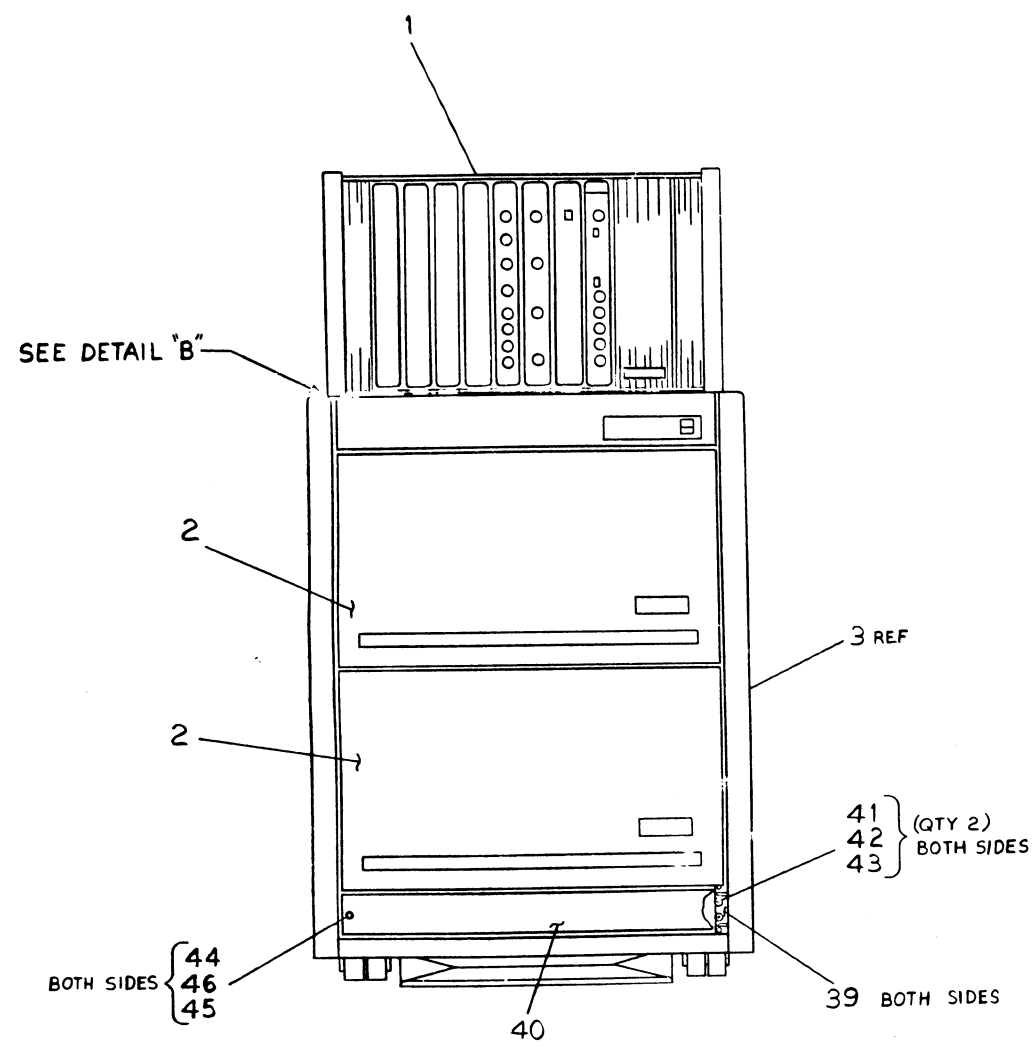
VT105 SET CONFIGURATION
SET-UP B



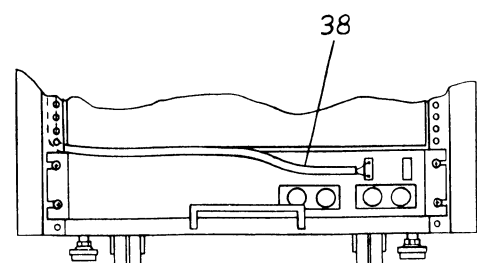
4. 0 0 1 N
BOTH TRANSMISSION AND RECEPTION HAVE PARITY
8 BIT CHARACTERS
0 = 60HZ OPERATION
1 = 50HZ OPERATION

TRANSMIT SPEED = 9600 BAUD
RECEPTION SPEED = 9600 BAUD

NOTE: THE CONSOLE DLV11-J MUST BE SET TO 9600 BAUD FOR THE MNC11-K AND MNC11-L SYSTEMS. FOR THE MNC11-J SYSTEM THE CONSOLE SPEED IS 300 BAUD.



STABILIZER FOOT
PART OF THE H9610 CAB
(ITEM *3)



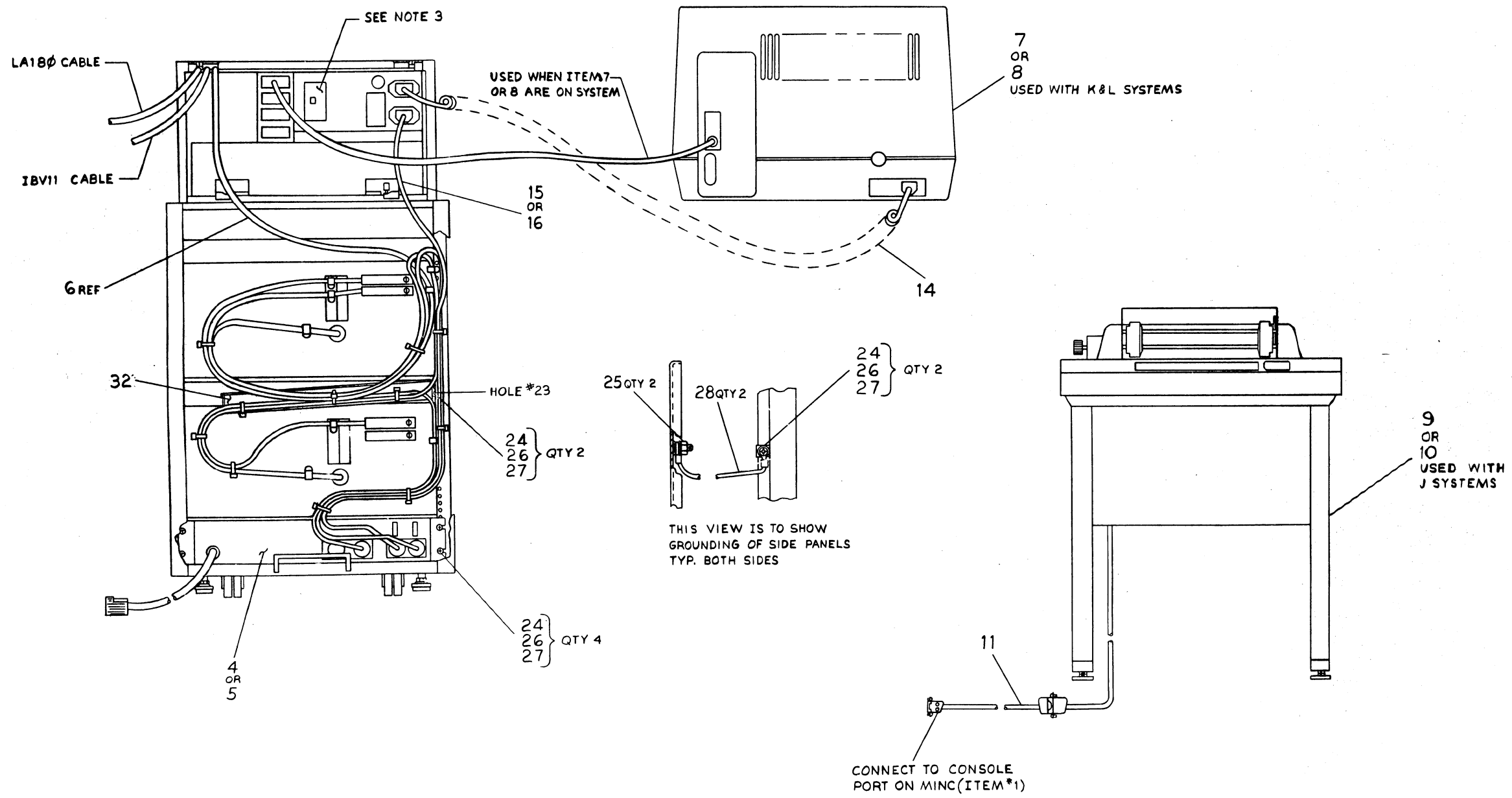
VIEW A-A
SCALE: NONE

REVISIONS		
CHK	CHANGE NO.	REV.

TITLE	SIZE CODE	NUMBER	REV.
MNC11-J UNIT ASSY	DUA	MNC11-J-0	
SCALE NONE	SHEET 2 OF 3	DIST.	

"THIS DRAWING AND SPECIFICATIONS, HEREIN, ARE THE PROPERTY OF DIGITAL EQUIPMENT CORPORATION AND SHALL NOT BE REPRODUCED OR COPIED OR USED IN WHOLE OR IN PART AS THE BASIS FOR THE MANUFACTURE OR SALE OF ITEMS WITHOUT WRITTEN PERMISSION. COPYRIGHT © 1978 DIGITAL EQUIPMENT CORPORATION"

0-1-110NWN 2



REVISIONS		
CHK	CHANGE NO.	REV.

TITLE		SIZE CODE	NUMBER	REV.
MNCII-J UNIT ASSY		D UA	MNCII-J-Ø	
SCALE	NONE	SHEET	3 OF 3	DIST.

DIGITAL EQUIPMENT CORPORATION PARTS LIST

MADE BY <i>A. Vawter</i> DATE <i>21-NOV-78</i>	CHECKED <i>F. Halliday</i> DATE <i>21 NOV 78</i>	SECTION 1
ENG <i>P.C. King</i> DATE <i>27-NOV-78</i>	PROD <i>F. Choeran</i> DATE <i>22 NOV 78</i>	ISSUED SECTION 1

ITEM NO.	DRAWING NO.	PART NO.	DESCRIPTION	QUANTITY / VARIATION										NOTES:				
				MNCL11-JA	MNCL11-JD	MNCL11-KA	MNCL11-KD	MNCL11-LA	MNCL11-LD								REF DESIGNATION	
1	D-UA-MNCL11-Ø-Ø	MNCL11-DA	MINC 11 UNIT ASSY (RLØ1 VERSION)	1	1	1	1	1	1									
2	E-UA-RLØ1-Ø-Ø	RLØ1-AK	RLØ1 DISK DRIVE ASSY	2	2	2	2	2	2									
3	E-UA-H961Ø-Ø-Ø	H961Ø-BC	CABINET (H961Ø) (115V)	1	1	1	1	1	1									
4	E-UA-871-Ø-Ø	871-B	871 PWR CONTROLLER 24ØV 8 AMP	-	1	-	1	-	1									
5	E-UA-871-Ø-Ø	871-C	871 PWR CONTROLLER 12ØV 16 AMP	1	-	1	-	1	-									
6	D-IA-7016462-0-0	7016462-06	CABLE, REWORK RLØ1/MNC	1	1	1	1	1	1									
7	E-UA-VT1Ø5-Ø-Ø	VT1Ø5-MA	VT1Ø5 GRAPHICS TERMINAL (115V)	-	-	1	-	1	-									
8	E-UA-VT1Ø5-Ø-Ø	VT1Ø5-MB	VT1Ø5 GRAPHICS TERMINAL (23ØV)	-	-	-	1	-	1									
9	E-UA-LA36-Ø-Ø	LA36-HE	LA36 UNIT ASSY	1	-	-	-	-	-									
10	E-UA-LA36-Ø-Ø	LA36-HJ	LA36 UNIT ASSY	-	1	-	-	-	-									
11	D-IA-BC21C-Ø-Ø	BC21C-1Ø	CABLE, PRINTER INTERFACE	1	1	-	-	-	-									
12	D-UA-LPV11-P-Ø	LPV11-PA	LINE PRINTER SYSTEM (115V, 6ØHZ)	-	-	-	-	1	-									
13	D-UA-LPV11-P-Ø	LPV11-PD	LINE PRINTER SYSTEM (23ØV, 5ØHZ)	-	-	-	-	-	1									
14		1700150	LINE CORD IEC TO IEC	1	1	1	1	1	1									
15		1700083-02	LINE CORD 125V/15A	1	-	1	-	1	-									
16		1700083-01	LINE CORD 23ØV/6A	-	1	-	1	-	1									
17	D-UA-MNCAD-Ø-Ø	MNCAD-Ø	MNCAD UNIT ASSY	-	-	-	-	1	1									
18	D-UA-MNCAM-Ø-Ø	MNCAM-Ø	MNCAM UNIT ASSY	-	-	-	-	1	1									
19	D-UA-MNCAA-Ø-Ø	MNCAA-Ø	MNCAA UNIT ASSY	-	-	-	-	1	1									
20	D-UA-MNCKW-Ø-Ø	MNCKW-Ø	MNCKW UNIT ASSY	-	-	-	-	1	1									
21	D-UA-MNCDI-Ø-Ø	MNCDI-Ø	MNCDI UNIT ASSY	-	-	-	-	1	1									

"THIS DRAWING AND SPECIFICATIONS, HEREIN, ARE THE PROPERTY OF DIGITAL EQUIPMENT CORPORATION AND SHALL NOT BE REPRODUCED OR COPIED OR USED IN WHOLE OR IN PART AS THE BASIS FOR THE MANUFACTURE OR SALE OF ITEMS WITHOUT WRITTEN PERMISSION. COPYRIGHT ©1978 DIGITAL EQUIPMENT CORPORATION"	TITLE MNCL11-J UNIT ASSY	ASSY NO. D-UA-MNCL11-J-Ø SHEET 1 OF 3	SIZE B	CODE PL	NUMBER MNCL11-J-Ø	REV.
--	------------------------------------	---	------------------	-------------------	----------------------	------

DIGITAL EQUIPMENT CORPORATION PARTS LIST

MADE BY <i>R. Power</i>	CHECKED <i>F. Holliday</i>	SECTION <i>1</i>
DATE <i>21 NOV-78</i>	DATE <i>21 NOV 78</i>	
ENG <i>AK</i>	PROD <i>F. Cloonan</i>	ISSUED SECTION <i>1</i>
DATE <i>22 NOV-78</i>	DATE <i>22 NOV 78</i>	

QUANTITY / VARIATION

NOTES:

ITEM NO.	DRAWING NO.	PART NO.	DESCRIPTION	MNC11-JA	MNC11-JD	MNC11-KA	MNC11-KD	MNC11-LA	MNC11-LD								REF DESIGNATION
43		9007786-00	RETAINER, "U" NUT #10	4	4	4	4	4	4								
44		9000042-06	SCREW, CAP SKT #6-32 x 1	2	2	2	2	2	2								
45		9006706	WASHER, NYLON #4	2	2	2	2	2	2								
46		9006656	WASHER, FLAT #6	2	2	2	2	2	2								
47	B-IA-7421315-0-0	7421315	ADAPTOR, REAR	2	2	2	2	2	2								
48	C-IA-7421314-0-0	7421314	ADAPTOR, FRONT	1	1	1	1	1	1								
49	C-MD-7414318-0-0	7414318	KEY, BUTTON	2	2	2	2	2	2								
50		9006037-01	SCREW, PAN PHL 8-32 x .38	4	4	4	4	4	4								
51		9006039-02	SCREW, PHIL FLAT HD 8-32 x .50	2	2	2	2	2	2								
52		9006563	NUT, KEP #8	6	6	6	6	6	6								

E.C.O. NO.	"THIS DRAWING AND SPECIFICATIONS, HEREIN, ARE THE PROPERTY OF DIGITAL EQUIPMENT CORPORATION AND SHALL NOT BE REPRODUCED OR COPIED OR USED IN WHOLE OR IN PART AS THE BASIS FOR THE MANUFACTURE OR SALE OF ITEMS WITHOUT WRITTEN PERMISSION. COPYRIGHT © 1978 DIGITAL EQUIPMENT CORPORATION"	TITLE MNC11-J UNIT ASSY	ASSY NO. D-UA-MNC11-J-Ø	SIZE B	CODE PL	NUMBER MNC11-J-Ø	REV.
			SHEET 3 OF 3	INSERTION PARTS LIST DATA BASE REV			

MR

"THE MATERIAL HEREIN IS FOR INFORMATION PURPOSES ONLY AND IS SUBJECT TO CHANGE WITHOUT NOTICE. DIGITAL EQUIPMENT CORPORATION ASSUMES NO RESPONSIBILITY FOR ANY ERRORS WHICH MAY APPEAR HEREIN."

DRAWING DIRECTORY

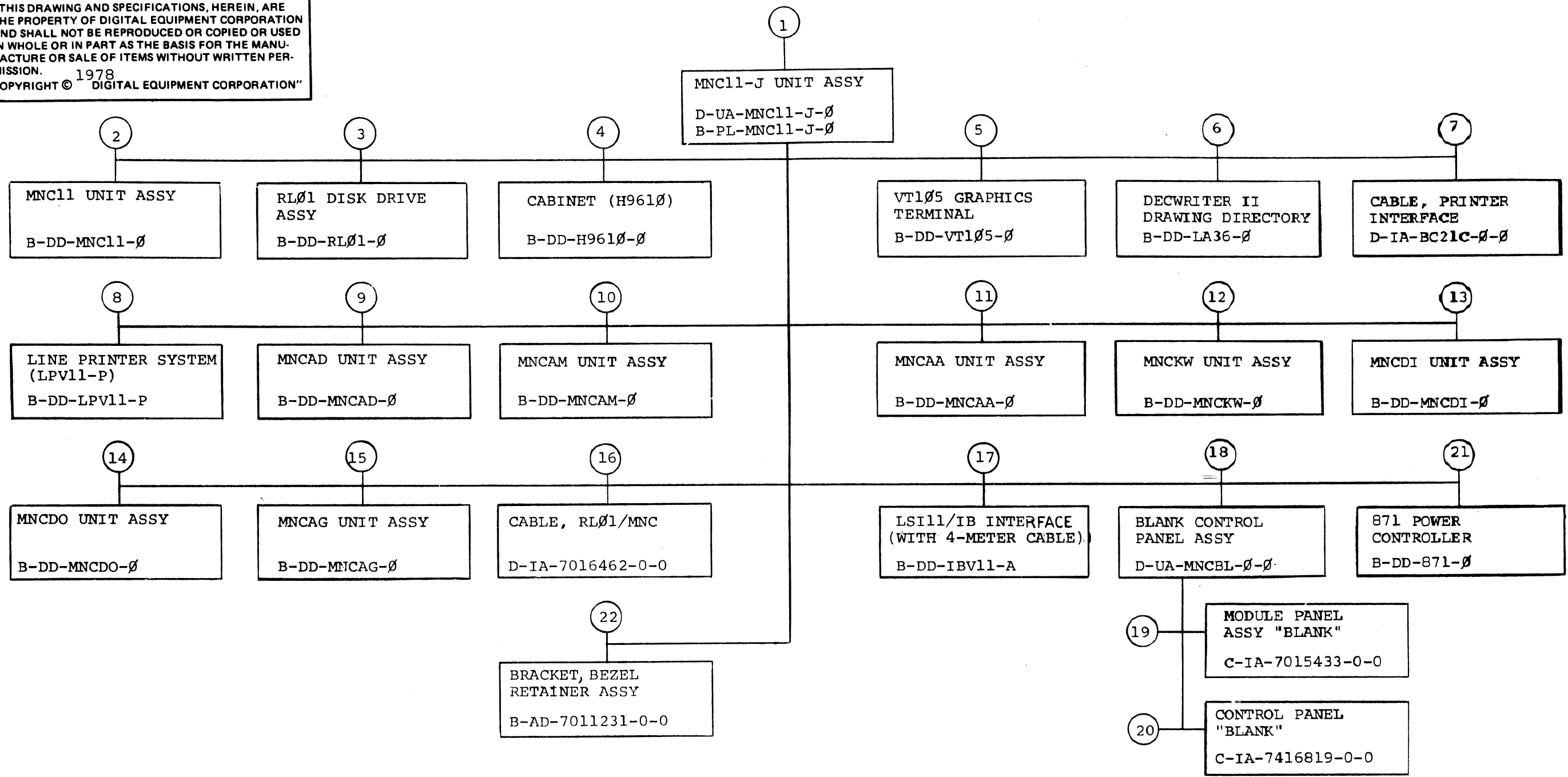
"THIS DRAWING AND SPECIFICATIONS, HEREIN, ARE THE PROPERTY OF DIGITAL EQUIPMENT CORPORATION AND SHALL NOT BE REPRODUCED OR COPIED OR USED IN WHOLE OR IN PART AS THE BASIS FOR THE MANUFACTURE OR SALE OF ITEMS WITHOUT WRITTEN PERMISSION. COPYRIGHT © 1978 DIGITAL EQUIPMENT CORPORATION."

UNIT VARIATIONS	
VAR	TITLE
MNC11-JA	MNC11 UNIT ASSY (115V)
MNC11-JD	MNC11 UNIT ASSY (230V)
MNC11-KA	MNC11 UNIT ASSY (115V)
MNC11-KD	MNC11 UNIT ASSY (230V)
MNC11-LA	MNC11 UNIT ASSY (115V)
MNC11-LD	MNC11 UNIT ASSY (230V)

REVISIONS	REV.	
	CHANGE NO.	
	CHK	

USED ON OPTION/MODEL		DRN.	DATE	TITLE	digital
RL01/MNC		<i>R. Vorne</i>	21-NOV-78		
		CHK'D.	DATE	MNC11-J UNIT ASSY	
		<i>F. Halliday</i>	21 NOV 78		
		PROJ. ENG.	DATE	SIZE	CODE
		<i>CAC KJ</i>	22 NOV 78	B	DD
		PROD.	DATE	NUMBER	REV
		<i>F. Chorney</i>	22 NOV 78	MNC11-J	
SHEET	1 OF	5		DIST.	

"THIS DRAWING AND SPECIFICATIONS, HEREIN, ARE THE PROPERTY OF DIGITAL EQUIPMENT CORPORATION AND SHALL NOT BE REPRODUCED OR COPIED OR USED IN WHOLE OR IN PART AS THE BASIS FOR THE MANUFACTURE OR SALE OF ITEMS WITHOUT WRITTEN PERMISSION. 1978
COPYRIGHT © DIGITAL EQUIPMENT CORPORATION"



TITLE	SIZE CODE	NUMBER	REV
MNC11-J UNIT ASSY	B DD	MNC11-J	
SHEET 2 OF 5			

MR

FIND NO.	DRAWING NO.	DESCRIPTION	TYPE	FIND NO.	DRAWING NO.	DESCRIPTION	TYPE
10	B-DD-MNCAM-Ø	MNCAM UNIT ASSY	E/M	15	B-DD-MNCAG-Ø	MNCAG UNIT ASSY	E/M
11	B-DD-MNCAA-Ø	MNCAA UNIT ASSY	E/M	16	D-IA-7016462-0-0	CABLE, RLØ1/MNC	E/M
					E-IA-7012122-0-0	I/O CABLE ASSEMBLY	E/M
					A-DC-7409872-0-0	DECALS, POWER HARNESS	M
12	B-DD-MNCKW-Ø	MNCKW UNIT ASSY	E/M	17	B-DD-IBV11-A	LS111/IB INTERFACE (WITH 4-METER CABLE)	E/M
13	B-DD-MNCDI-Ø	MNCDI UNIT ASSY	E/M	18	D-UA-MNCBL-Ø-Ø	BLANK CONTROL PANEL ASSY	M
					D-IA-7420394-0-0	BRKT, SUPPORT "BLANK"	M
14	B-DD-MNCDO-Ø	MNCDO UNIT ASSY	E/M	19	C-IA-7015433-0-0	MODULE PANEL ASSY "BLANK"	M
					C-IA-7419867-0-0	PANEL, FRONT "BLANK"	M

TYPE: E ELECTRICAL
M MECHANICAL
E/M ELECTRO/MECHANICAL

digital

TITLE MNC11-J UNIT ASSY

SHEET 4 OF 5

SIZE CODE
B DD

NUMBER
MNC11-J

REV

FIND NO.	DRAWING NO.	DESCRIPTION	TYPE	FIND NO.	DRAWING NO.	DESCRIPTION	TYPE
20	C-IA-7416819-0-0 C-SS-7416819-0-1	CONTROL PANEL "BLANK" PANEL, BLANK	M M				
21	B-DD-871-Ø	871 POWER CONTROLLER	E/M				
22	B-AD-7011231-0-0 B-MD-7413989-0-0	BRACKET, BEZEL RETAINER ASSY BRACKET, BEZEL RETAINER	M M				

TYPE: E ELECTRICAL
M MECHANICAL
E/M ELECTRO/MECHANICAL



TITLE
MNC11-J UNIT ASSY

SHEET 5 OF 5

SIZE CODE
B DD

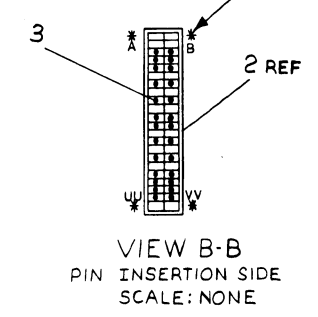
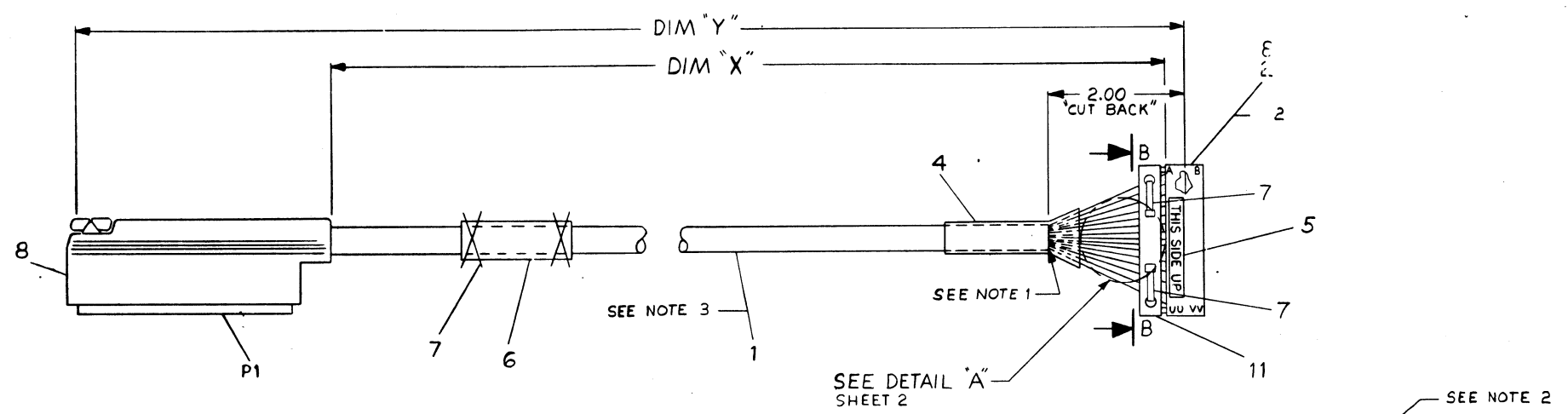
NUMBER
MNC11-J

REV

"THIS DRAWING AND SPECIFICATIONS, HEREIN, ARE THE PROPERTY OF DIGITAL EQUIPMENT CORPORATION AND SHALL NOT BE REPRODUCED OR COPIED OR USED IN WHOLE OR IN PART AS THE BASIS FOR THE MANUFACTURE OR SALE OF ITEMS WITHOUT WRITTEN PERMISSION. COPYRIGHT © 1978 DIGITAL EQUIPMENT CORPORATION"

LEGEND		
NUMBER	DIM "X"	DIM "Y" PRECUT REF
7016462-06	6FT ±2IN	6FT 4IN ±2IN

- NOTES:
- CUT BACK ALL UNUSED WIRES
 - * DENOTES CAVITIES NOT BEING USED OR DESIGNATED BY LETTERS.
 - ITEM #1 IS TO BE USED TO FABRICATE 2 RLØ1/MNC CABLES (7016462-06).
 - REMOVE OUTER JACKET & MYLAR SHIELD BACK TO THIS POINT.
 - CUT CENTER & SHIELD DRAIN BACK TO 7 INCH FROM JACKET & STRIP INSULATION OFF CENTER DRAIN BACK TO JACKET, CUT A PIECE OF ITEM #10 (BLK WIRE) 1 INCH LONG & STRIP ONE END .25 LONG. TWIST SHIELD DRAIN, CENTER DRAIN, & BLK WIRE TOGETHER AND SOLDER CAREFULLY AT TWISTED JOINT. NEXT SLIP A PIECE SHRINK TUBING AS FAR AS POSSIBLE OVER THE SOLDERED JOINT AND SHRINK. (SEE DETAIL "A"). CUT BLACK WIRE TO 1 IN. ±.1 IN. AND ATTACH PIN (ITEM #3).



ITEM NO.	DESCRIPTION	DWG. PART NO.	ITEM NO.
1	STRAIN RELIEF	1211166	11
A/R	WIRE, 28 AWG (BLK)	9107769-00	10
A/R	TUBING, SHRINK	9107255-00	9
2	DECALS, PWR HARNESS	A-DC-7409872-1-0	8
4	TIE, CABLE	9007031-00	7
1	LABEL, CABLE IDENT	9009532-00	6
1	LABEL	3611567-00	5
A/R	TUBING, SHRINK	9107252-00	4
26	SOCKET, CRIMP	1210089-05	3
1	HOUSING, TERMINATION	1210918-15	2
1	I/O CABLE ASSEMBLY	E-IA-7012122-20	1

UNLESS OTHERWISE SPECIFIED DIMENSIONS ARE IN INCHES	
ANGLES	CLASS OF ACCURACY
30° 30'	CHECK ONE
SURFACE QUALITY	MEDIUM
MICROINCHES	PREFERRED

THIRD ANGLE PROJECTION

REMOVE BURRS AND BREAK SHARP CORNERS

DO NOT SCALE DWG

MATERIAL: SEE PARTS LIST

FINISH: NONE

DRN: P. [Signature] 12-02-78

CHK'D: [Signature] 11 JAN 79

ENG: [Signature] 2-24-79

PROJ. ENG: [Signature] 2-24-79

PROD: [Signature] 9-24-79

FIRST USED ON: MNCII-J

TITLE: CABLE, REWORK RLØ1/MNC

SIZE CODE: D

NUMBER: IA 7016462-0-0

REV.:

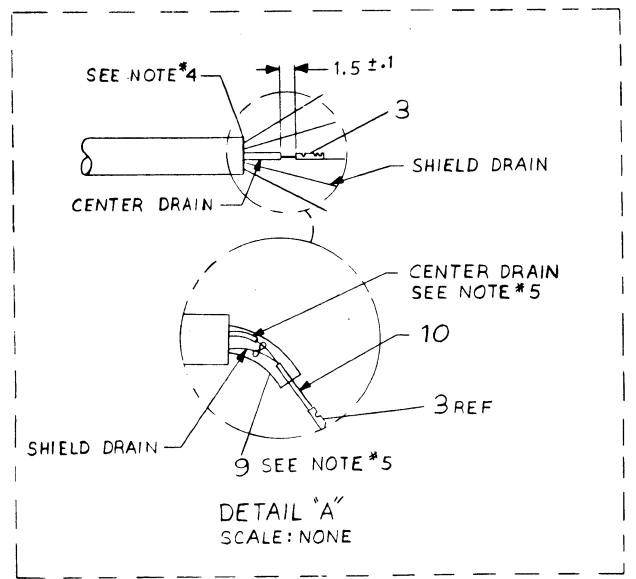
SHEET 1 OF 2

REV.	CHANGE NO.	DATE

DEC 1988

THIS DRAWING AND SPECIFICATIONS HEREIN ARE THE PROPERTY OF DIGITAL EQUIPMENT CORPORATION AND SHALL NOT BE REPRODUCED OR COPIED OR USED IN WHOLE OR IN PART AS THE BASIS FOR THE MANUFACTURE OR SALE OF ITEMS WITHOUT WRITTEN PERMISSION. COPYRIGHT © 1975 DIGITAL EQUIPMENT CORPORATION

ITEM NO.	BASIC COLOR	TRACER COLOR	FROM			TO			REMARKS
			POINT	CONNECTION	WITH	POINT	CONNECTION	WITH	
1	RED			P1-3			P2-C	ITEM*3	TWP 1
	WHT	RED		P1-4			P2-D		
	RED			P1-5			P2-E		TWP 2
	WHT	GRN		P1-6			P2-F		
	RED			P1-7			P2-H		TWP 3
	WHT	ORN		P1-8			P2-J		
	RED			P1-11			P2-M		TWP 4
	WHT	YEL		P1-12			P2-N		
	RED			P1-15			P2-S		TWP 5
	WHT	BLK/RED		P1-16			P2-T		
	RED			P1-19			P2-W		TWP 6
	WHT	BLK/ORN		P1-20			P2-X		
	RED			P1-21			P2-Y		TWP 7
	WHT	BLK/BLU		P1-22			P2-Z		
	RED			P1-25			P2-CC		TWP 8
	WHT	BLK/BRN		P1-26			P2-DD		
	RED			P1-29			P2-HH		TWP 9
	WHT	GRN/RED		P1-30			P2-JJ		
	RED			P1-33			P2-MM		TWP 10
	WHT	GRN/BLU		P1-34			P2-NN		
	RED			P1-35			P2-PP		TWP 11
	WHT	GRN/YEL		P1-36			P2-RR		
	RED			P1-37			P2-SS		TWP 12
	WHT	GRN/BRN		P1-38			P2-TT		
	YEL			P1-39			P2-UU		
	BLK			P1-40			P2-VV	ITEM*3	



REVISIONS		
CHK	CHANGE NO.	REV.

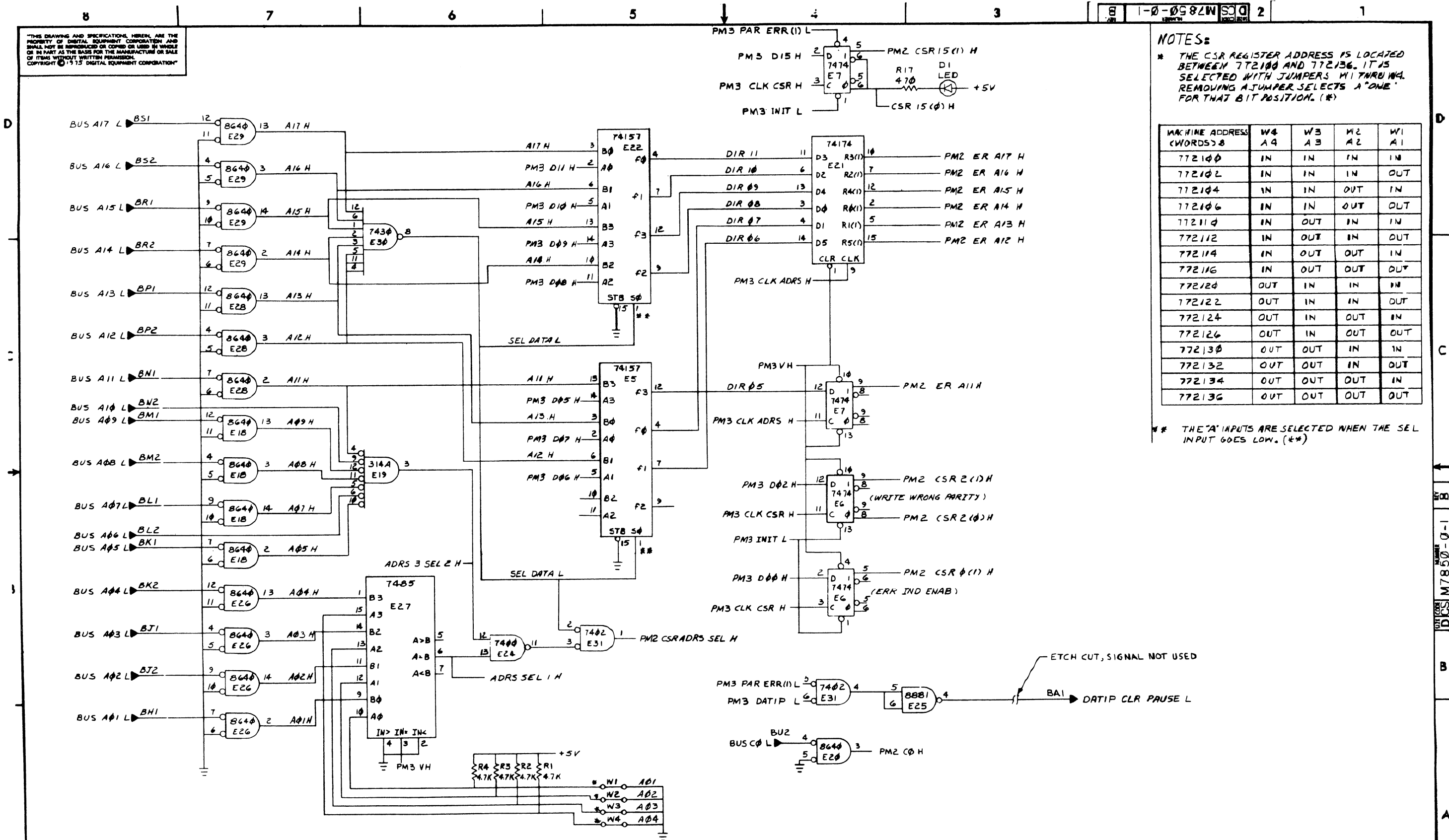
"THIS DRAWING AND SPECIFICATIONS, HEREIN, ARE THE PROPERTY OF DIGITAL EQUIPMENT CORPORATION AND SHALL NOT BE REPRODUCED OR COPIED OR USED IN WHOLE OR IN PART AS THE BASIS FOR THE MANUFACTURE OR SALE OF ITEMS WITHOUT WRITTEN PERMISSION. 1978
COPYRIGHT © DIGITAL EQUIPMENT CORPORATION"

MP00635
MP00347
A-PL-H9610-0-0
MPO0466
D-UA-MNC11-J-0
B-PL-MNC11-J-0
B-DD-MNC11-J-1
D-IA-7016462-0-0

RLV11
RL01 DISK DRIVE
CABINET (H9610)
LINE PRINTER ASSY (LPV11-P)
MNC11-J UNIT ASSY
MNC11-J UNIT ASSY
MNC11-J UNIT ASSY
CABLE, RL01/MNC

TITLE	MNC11-J UNIT ASSY	SHEET 2 OF 2	SIZE CODE B TC	NUMBER MNC11-J-1	REV
-------	-------------------	--------------	-------------------	---------------------	-----

THIS DRAWING AND SPECIFICATIONS HEREIN ARE THE PROPERTY OF DIGITAL EQUIPMENT CORPORATION AND SHALL NOT BE REPRODUCED OR COPIED OR USED IN WHOLE OR IN PART AS THE BASIS FOR THE MANUFACTURE OR SALE OF ITEMS WITHOUT WRITTEN PERMISSION. COPYRIGHT © 1975 DIGITAL EQUIPMENT CORPORATION



NOTES:
 * THE CSR REGISTER ADDRESS IS LOCATED BETWEEN 772100 AND 772136. IT IS SELECTED WITH JUMPERS W1 THROUGH W4. REMOVING A JUMPER SELECTS A "ONE" FOR THAT BIT POSITION. (**)

MACHINE ADDRESS (WORDS) 8	W4 A4	W3 A3	W2 A2	W1 A1
772100	IN	IN	IN	IN
772102	IN	IN	IN	OUT
772104	IN	IN	OUT	IN
772106	IN	IN	OUT	OUT
772110	IN	OUT	IN	IN
772112	IN	OUT	IN	OUT
772114	IN	OUT	OUT	IN
772116	IN	OUT	OUT	OUT
772120	OUT	IN	IN	IN
772122	OUT	IN	IN	OUT
772124	OUT	IN	OUT	IN
772126	OUT	IN	OUT	OUT
772130	OUT	OUT	IN	IN
772132	OUT	OUT	IN	OUT
772134	OUT	OUT	OUT	IN
772136	OUT	OUT	OUT	OUT

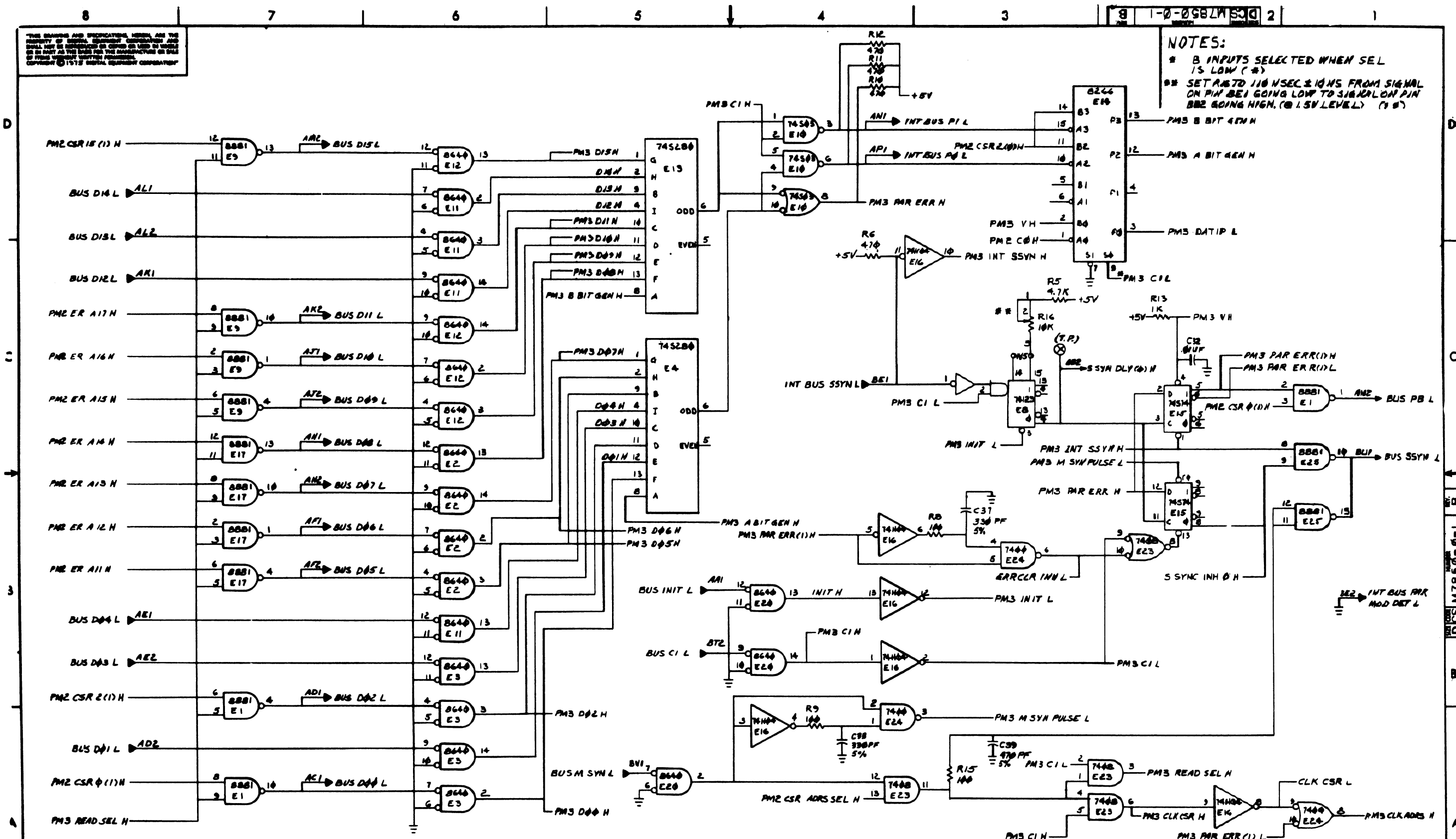
** THE 'A' INPUTS ARE SELECTED WHEN THE SEL INPUT GOES LOW. (**)

ETCH CUT, SIGNAL NOT USED

REVISIONS		
CHK	CHANGE NO.	REV.

THIS DRAWING AND SPECIFICATIONS HEREIN ARE THE PROPERTY OF SPERRY GERRARD CORPORATION AND SHALL NOT BE REPRODUCED OR COPIED OR USED IN WHOLE OR IN PART AS THE BASIS FOR THE MANUFACTURE OR SALE OF ITEMS UNLESS WRITTEN PERMISSION IS OBTAINED FROM SPERRY GERRARD CORPORATION. COPYRIGHT © 1975 SPERRY GERRARD CORPORATION

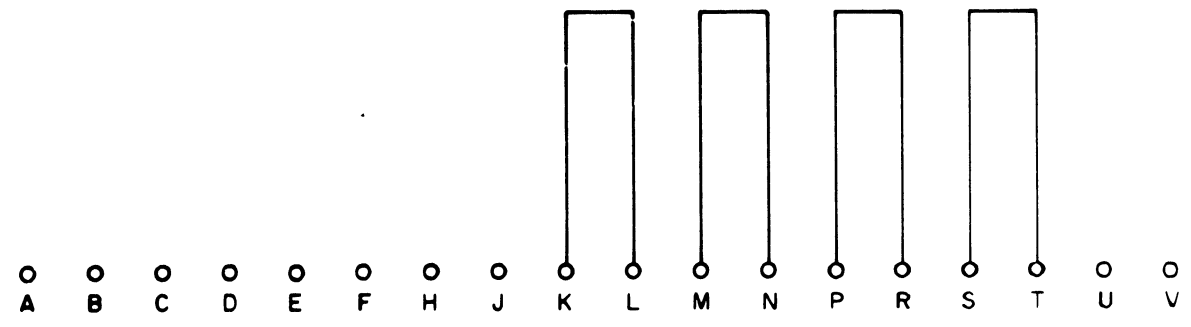
NOTES:
 * B INPUTS SELECTED WHEN SEL IS LOW (*)
 ** SET R47D 110 NSEC ± 10% FROM SIGNAL ON PIN BE1 GOING LOW TO SIGNAL ON PIN BB2 GOING HIGH. (@ 1.5V LEVEL) (*)



REVISIONS		
CHK	CHANGE NO.	REV.

TITLE	PARITY MODULE (PM3)	SIZE/DOSE	NUMBER	REV.
SCALE		SHEET	3 OF 3	B
DIST.				

THIS SCHEMATIC IS FURNISHED ONLY FOR TEST AND MAINTENANCE PURPOSES. THE CIRCUITS ARE PROPRIETARY IN NATURE AND SHOULD BE TREATED ACCORDINGLY. COPYRIGHT 1969 BY DIGITAL EQUIPMENT CORPORATION



REVISIONS	CHK	CHG NO	REV		DRN BUTLER	DATE 11-19-69	TRANSISTOR & DIODE CONVERSION CHART				digital EQUIPMENT CORPORATION MAYNARD, MASSACHUSETTS	TITLE GRANT CONTINUITY G727		
	CHK'D	DATE	DATE	DEC	EIA	DEC	EIA	DEC	EIA	SIZE B		CODE CS	NUMBER G727-0-1	HI.
	ENG	DATE	DATE	DEC	EIA	DEC	EIA	DEC	EIA	PRINTED CIRCUIT REV		A		
	PROD	DATE	DATE	DEC	EIA	DEC	EIA	DEC	EIA					