

FIND NO.	DRAWING NO.	DESCRIPTION	TYPE	FIND NO.	DRAWING NO.	DESCRIPTION	TYPE
1	MEJ0274	FIELD MAINTENANCE PRINT SET (MP)	-				
	B-TC-IBV11-A-1	FIELD MAINTENANCE PRINT SET (TC)	-				
	A-PL-IBV11-A-0	LS111/IB INTERFACE	-				
	A-PL-IBV11-A-SH	IBV11-A SHIPPING LIST	-				
	A-SP-IBV11-A-8	ENGINEERING SPECIFICATIONS	E/M				
2	B-DD-117954-β	LS111/IB INTERFACE (CS)					
3	D-UA-EJ11A-0-0	CABLE, BN11A	E/M				
4	A-SP-3700273-0-0	PACKAGING INSTRUCTIONS	-				
	9905760	PACKAGING BOX	-				
	9905622	REVERSE TUCK FOLDING BOX	-				

TYPE: E ELECTRICAL
M MECHANICAL
E/M ELECTRO/MECHANICAL



TITLE
LS111/IB INTERFACE (WITH 4 METER CABLE)

SHEET 2 OF 2	SIZE D	CODE CD	NUMBER IBV11-A	REV
--------------	-----------	------------	-------------------	-----

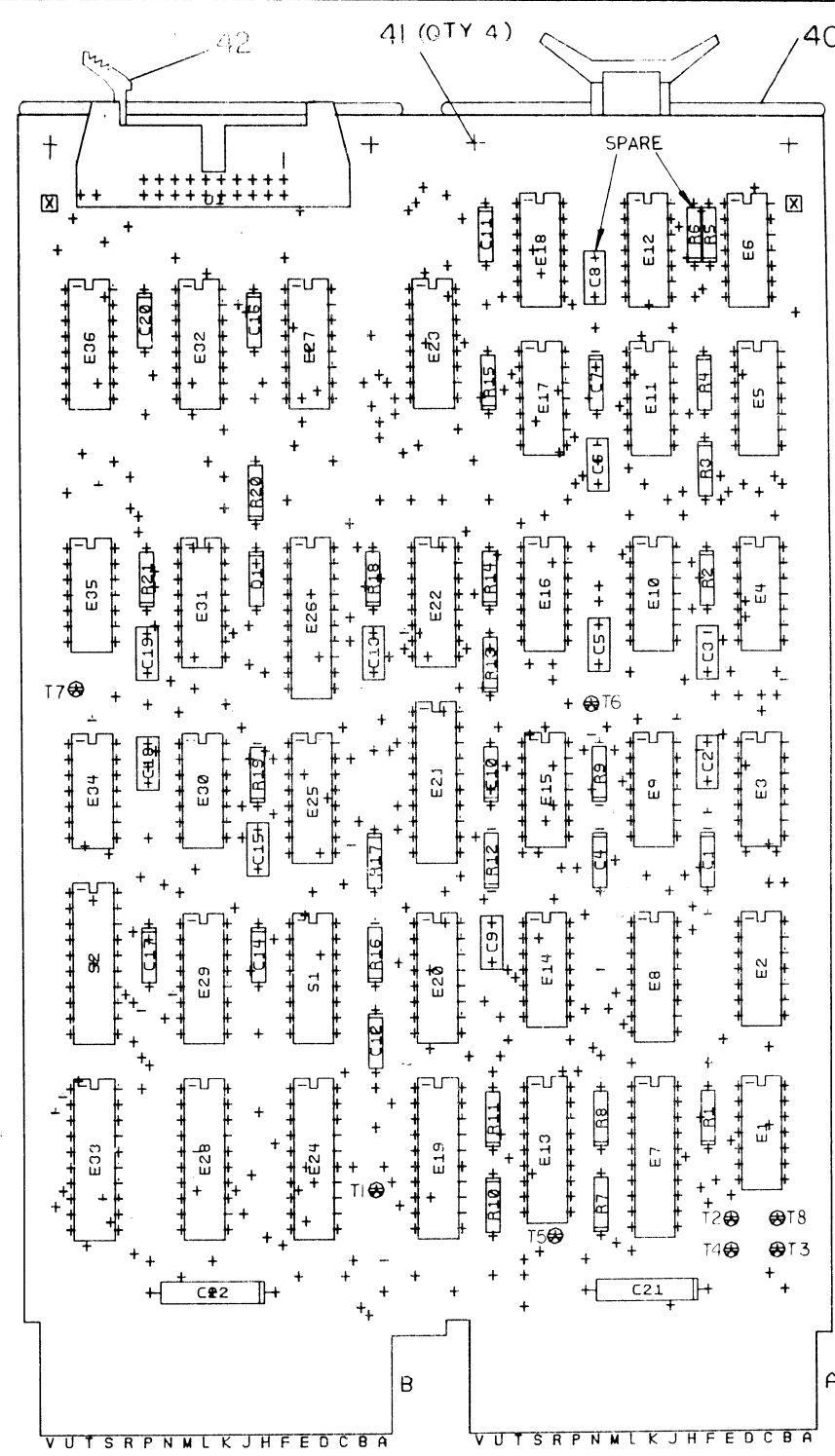
EN-01063-2C-16-R376-1325

UNCLASSIFIED, UNCONTROLLED, AND THE PROPERTY OF DIGITAL EQUIPMENT CORPORATION AND SHALL NOT BE REPRODUCED OR COPIED IN WHOLE OR IN PART, IN ANY MANNER, FOR THE PRODUCTION OR SALE OF ANY PRODUCT, WITHOUT THE WRITTEN PERMISSION OF DIGITAL EQUIPMENT CORPORATION.

0 1 2 3 4 5 6 7 8

D
C
B
A

D
C
B
A



NOTES:

CHK/CHA. GE I.O. REV.	
2/1/79 M7954-2	C
C. L. AL	

ETCH REV.	C
P.C. DESIGN DATA BASE REV.	C

SIGNATURES		DATE	digital
DRN. <i>C. E. ...</i>		2/13/79	
CHK'D. <i>C. E. ...</i>		2/13/79	TITLE LSI INTERFACE
ENC. <i>C. E. ...</i>		2/13/79	
PROJ. ENG. <i>C. E. ...</i>		2/13/79	
PROD. <i>C. E. ...</i>		2/13/79	
SCALE 2:1			SIZE CODE NUMBER
SHI. 1 OF 2			D UA M7954-0-0
NEXT HIGHER ASSY. B-00-M7954-0			REV D

INDICATIONS HEREIN ARE THE PROPERTY OF THE EQUIPMENT CORPORATION, AND NO PART THEREOF IS TO BE REPRODUCED OR TRANSMITTED IN ANY FORM OR BY ANY MEANS, ELECTRONIC OR MECHANICAL, INCLUDING PHOTOCOPYING, RECORDING, OR BY ANY INFORMATION STORAGE AND RETRIEVAL SYSTEM, WITHOUT PERMISSION IN WRITING FROM THE EQUIPMENT CORPORATION.

7

6

5

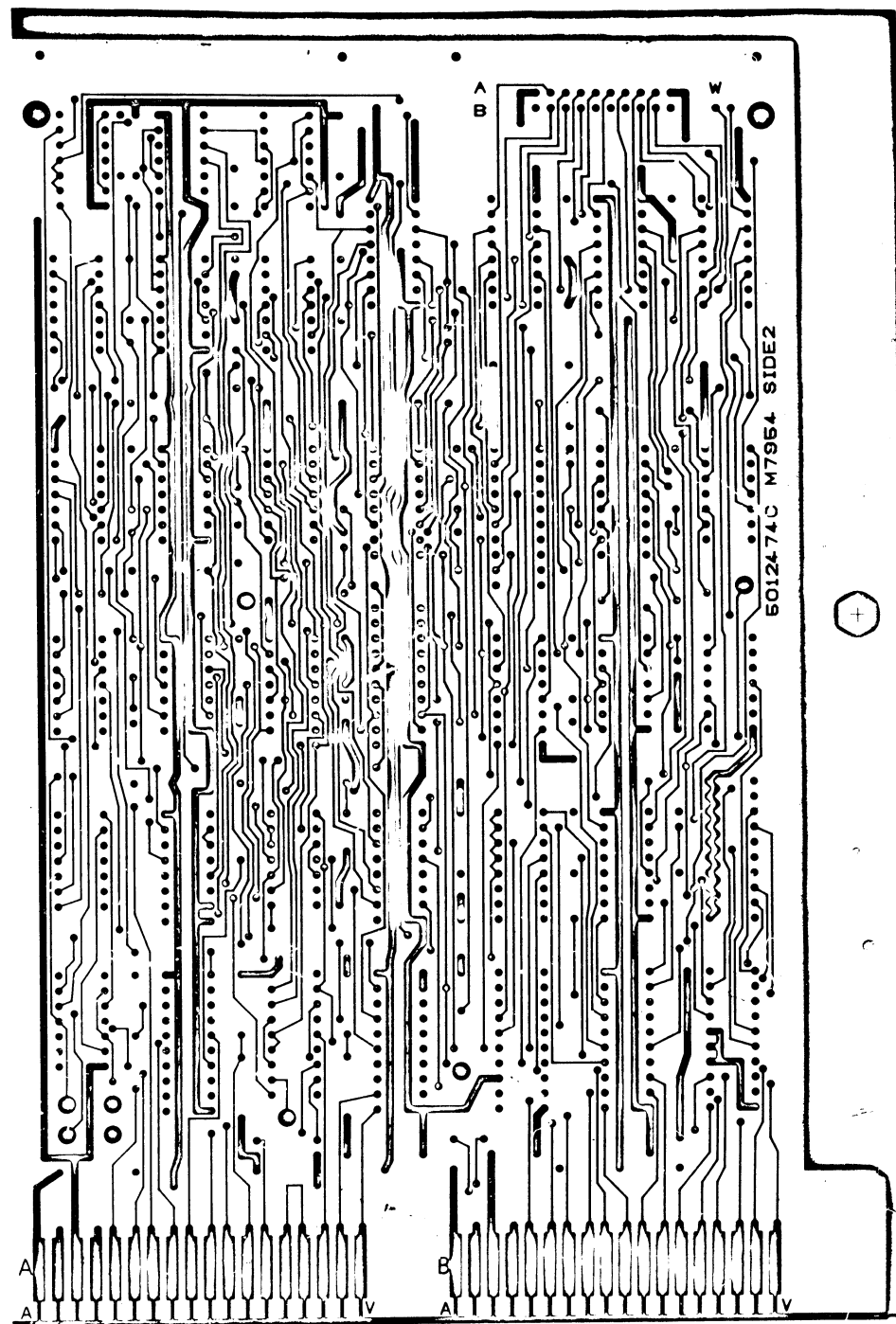
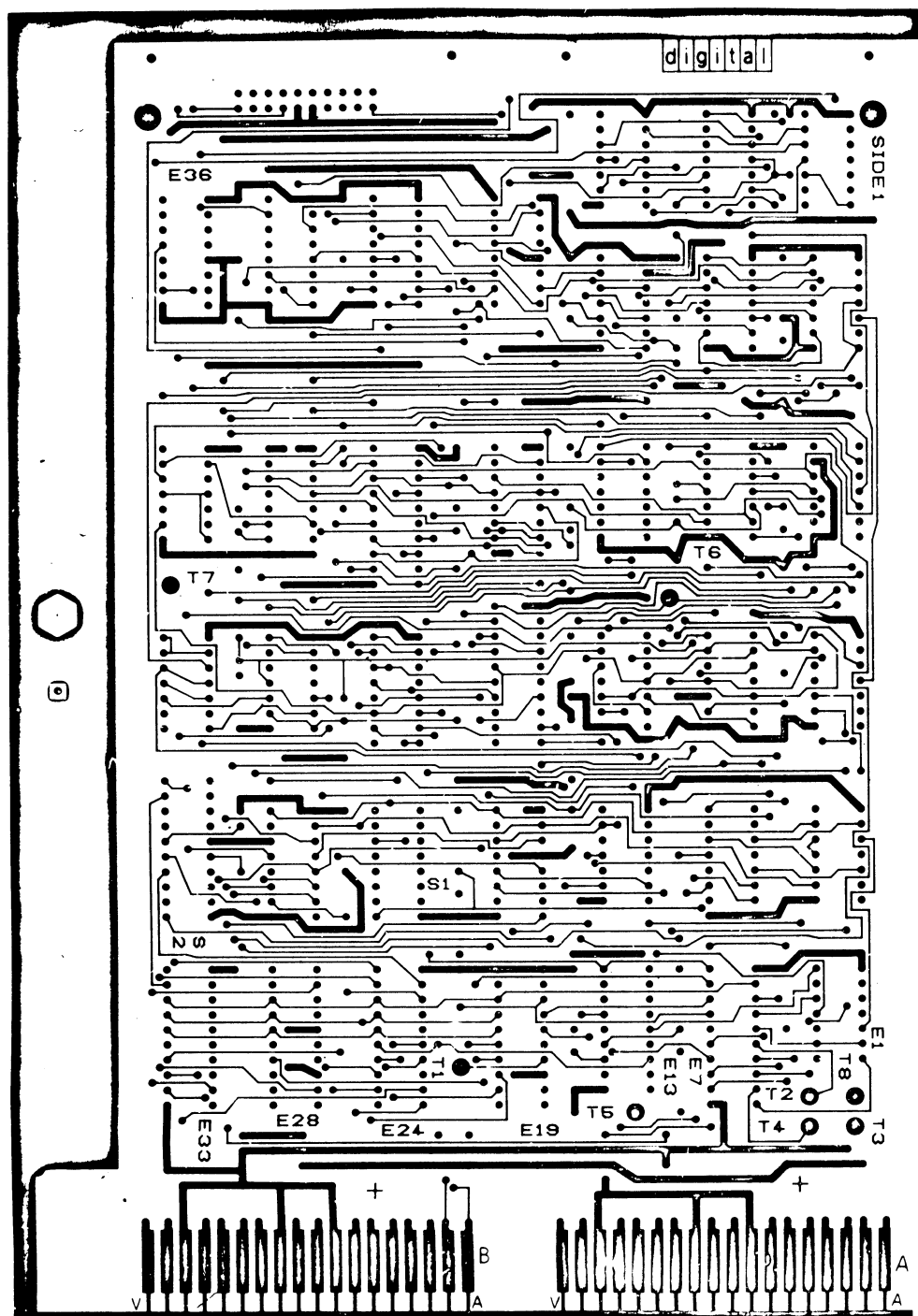
4

3

D

2 DUA M7954-0-0

1



D

C

D

B

A

DUA M7954-0-0

REV

7

6

5

4

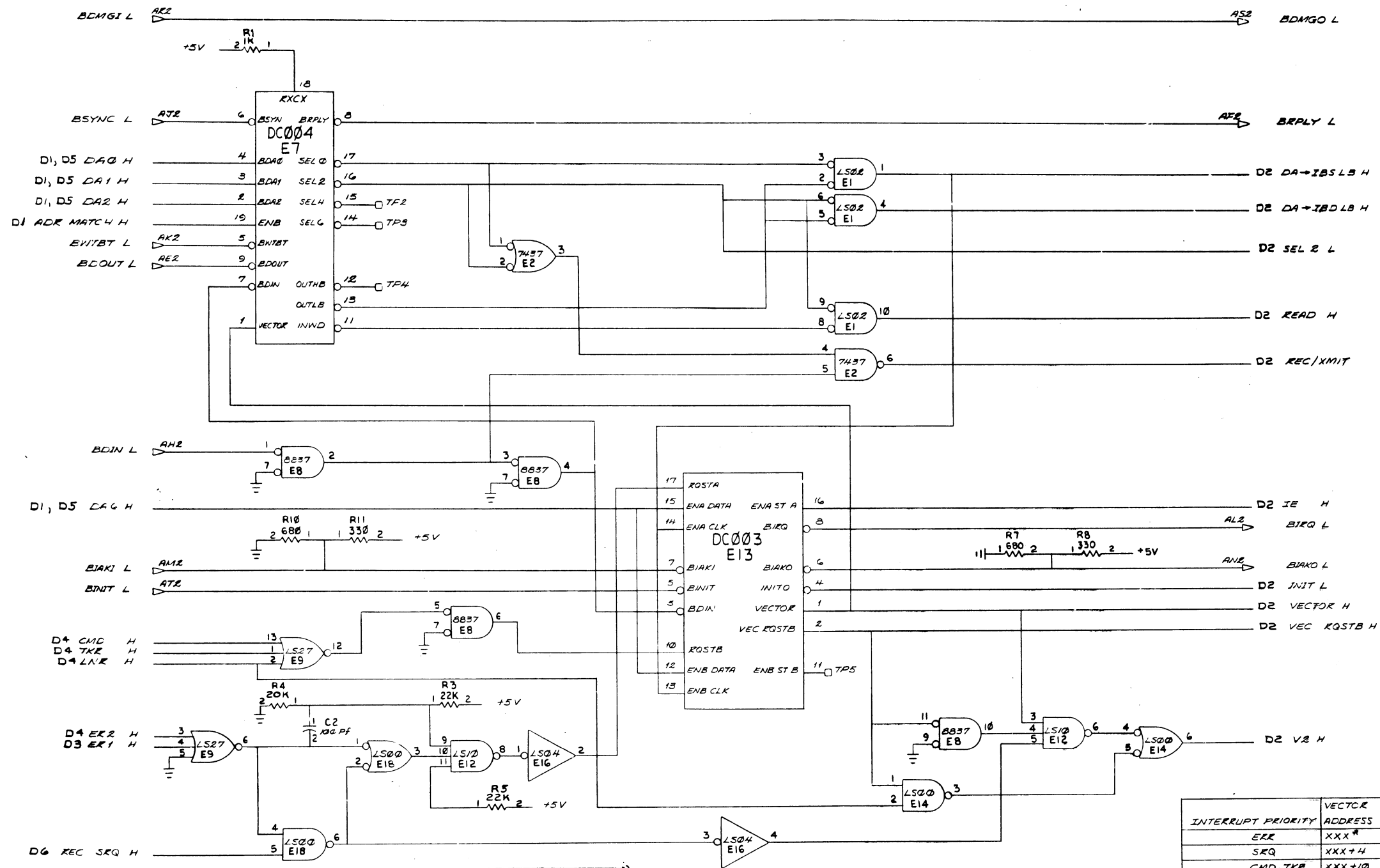
3

2

1

TITLE	LSI INTERFACE	SIZE/ODE	NUMBER	REV.
SCALE 2/1	SHEET 2 OF 2	DUA	M7954-0-0	D
		DIST		

"THIS DRAWING AND SPECIFICATIONS HEREIN ARE THE PROPERTY OF DIGITAL EQUIPMENT CORPORATION AND SHALL NOT BE REPRODUCED OR COPIED OR USED IN WHOLE OR IN PART AS THE BASIS FOR THE MANUFACTURE OR SALE OF ITEMS WITHOUT WRITTEN PERMISSION. COPYRIGHT © 1976 DIGITAL EQUIPMENT CORPORATION"



INTERRUPT PRIORITY	VECTOR ADDRESS	VEC RQSTB JVB	V2 JV2
ERR	XXX*	L	L
SRQ	XXX+4	L	H
CMD, TKE	XXX+10	H	L
LNK	XXX+14	H	H

* 000 ≤ XXX ≤ 760

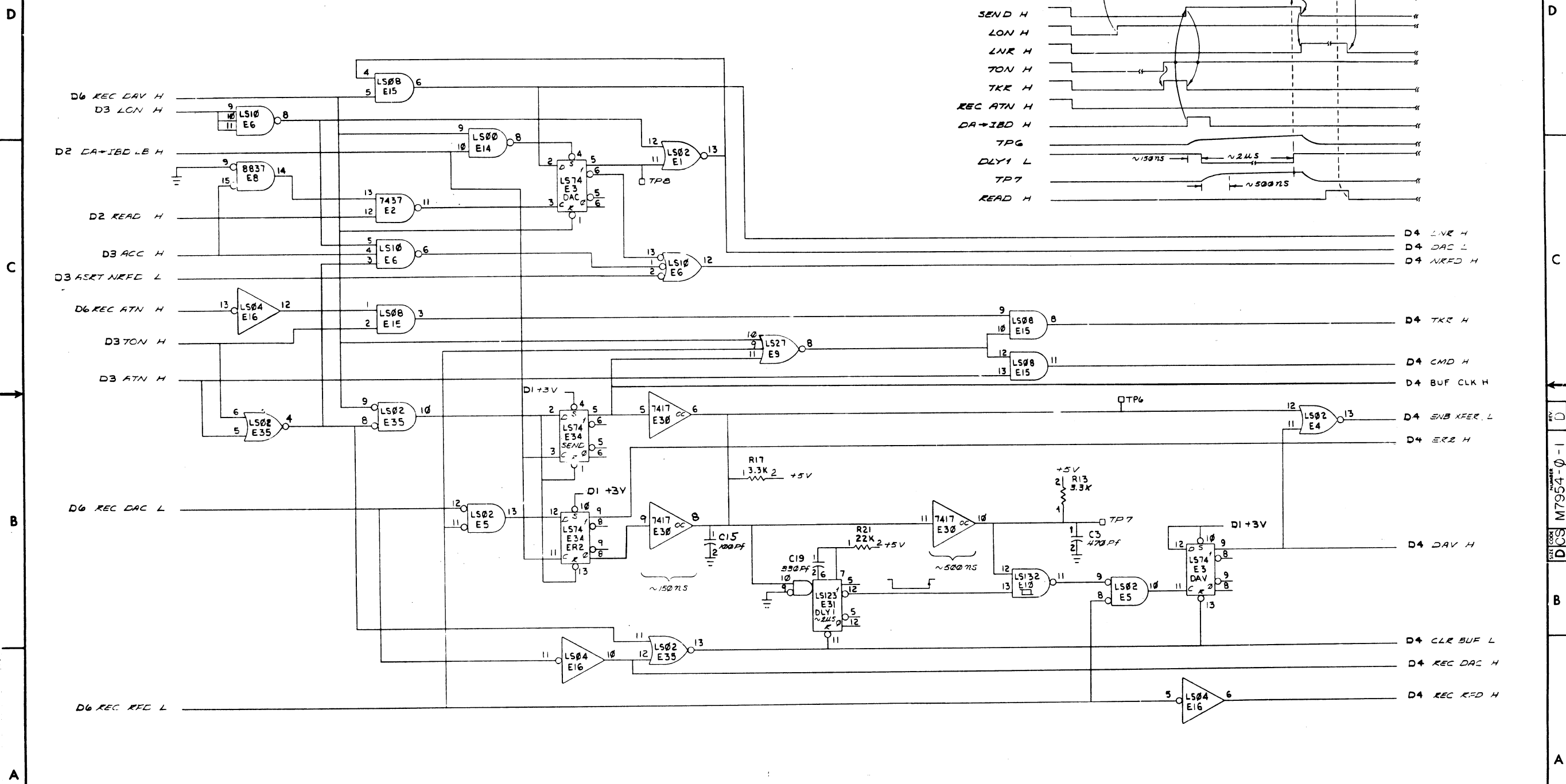
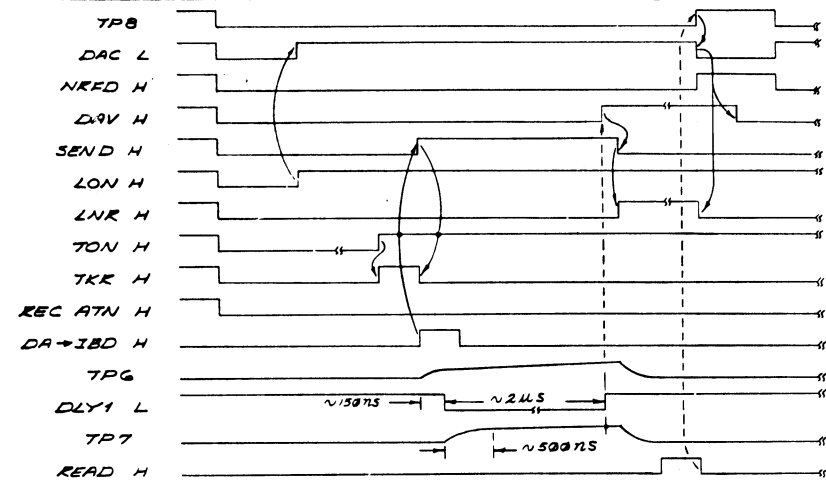
REG SEL AND INTR

REVISIONS		
CHK	CHANGE NO.	REV.

REV. D
NUMBER M7954-0-1
SIZE CODE DCS

"THIS DRAWING AND SPECIFICATIONS, HEREIN, ARE THE PROPERTY OF DIGITAL EQUIPMENT CORPORATION AND SHALL NOT BE REPRODUCED OR LOANED OR USED IN WHOLE OR IN PART AS THE BASIS FOR THE MANUFACTURE OR SALE OF ITEMS WITHOUT WRITTEN PERMISSION. COPYRIGHT © 1976 DIGITAL EQUIPMENT CORPORATION"

TYPICAL HANDSHAKE TIMING DIAGRAM (TALKER - LISTENER)



CONTROL AND HANDSHAKE D4

REVISIONS		
CHK	CHANGE NO.	REV.

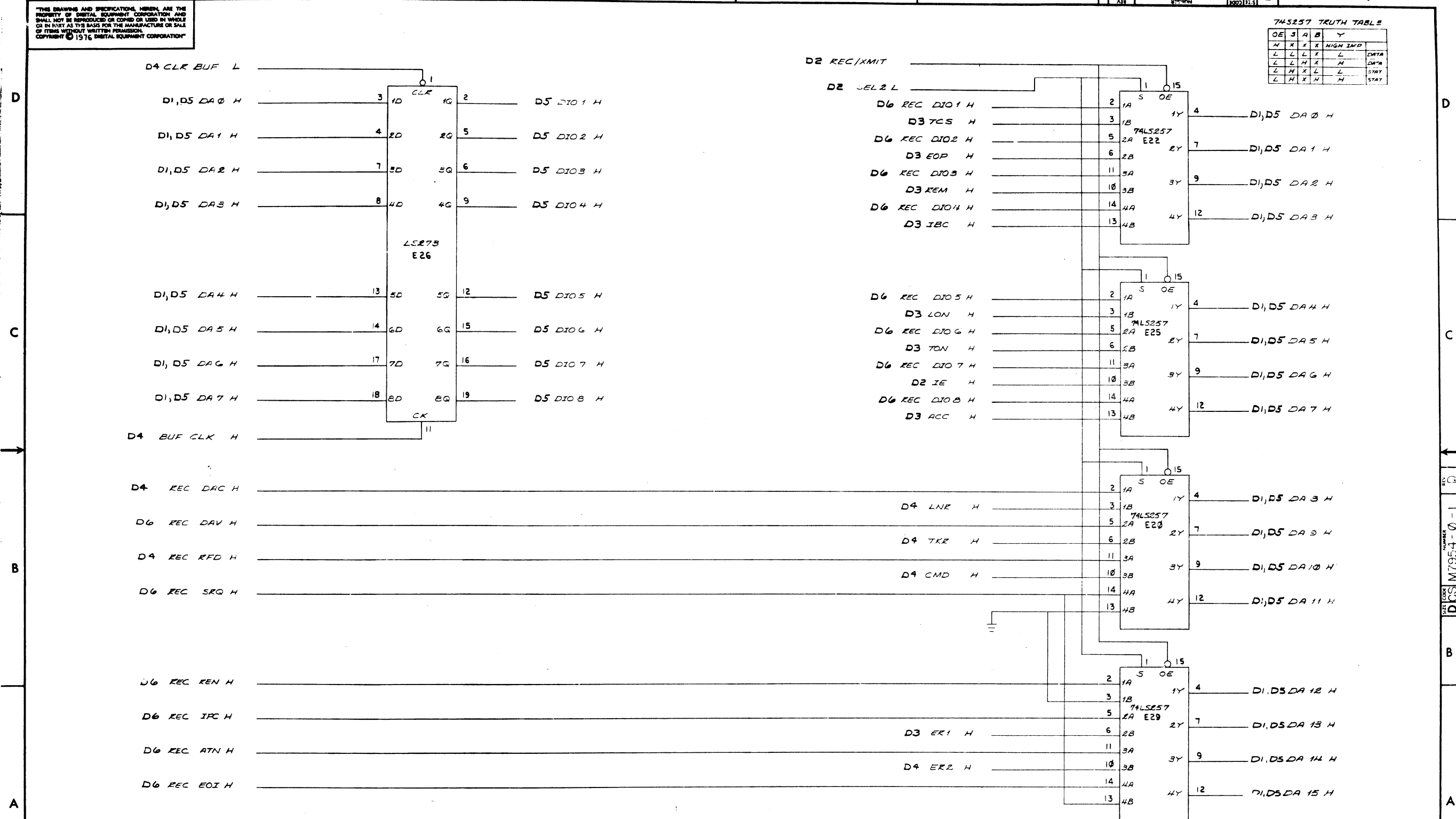
TITLE	SIZE/SCALE	NUMBER	REV.
LSI11/IB INTERFACE	D CS	M7954-0-1	D
SCALE	SHEET # OF 7	DIST.	

D CS M7954-0-1

"THIS DRAWING AND SPECIFICATIONS, HEREIN, ARE THE PROPERTY OF DIGITAL EQUIPMENT CORPORATION AND SHALL NOT BE REPRODUCED OR COPIED OR USED IN WHOLE OR IN PART AS THE BASIS FOR THE MANUFACTURE OR SALE OF ITEMS WITHOUT WRITTEN PERMISSION. COPYRIGHT © 1976 DIGITAL EQUIPMENT CORPORATION"

74LS257 TRUTH TABLE

OE	S	A	B	Y
H	X	X	X	HIGH ZIMP
L	L	L	L	DATA
L	L	H	X	DATA
L	H	X	L	DATA
L	H	X	H	DATA
L	X	L	L	DATA
L	X	L	H	DATA
L	X	H	L	DATA
L	X	H	H	DATA



DATA/STAT MUX

D5

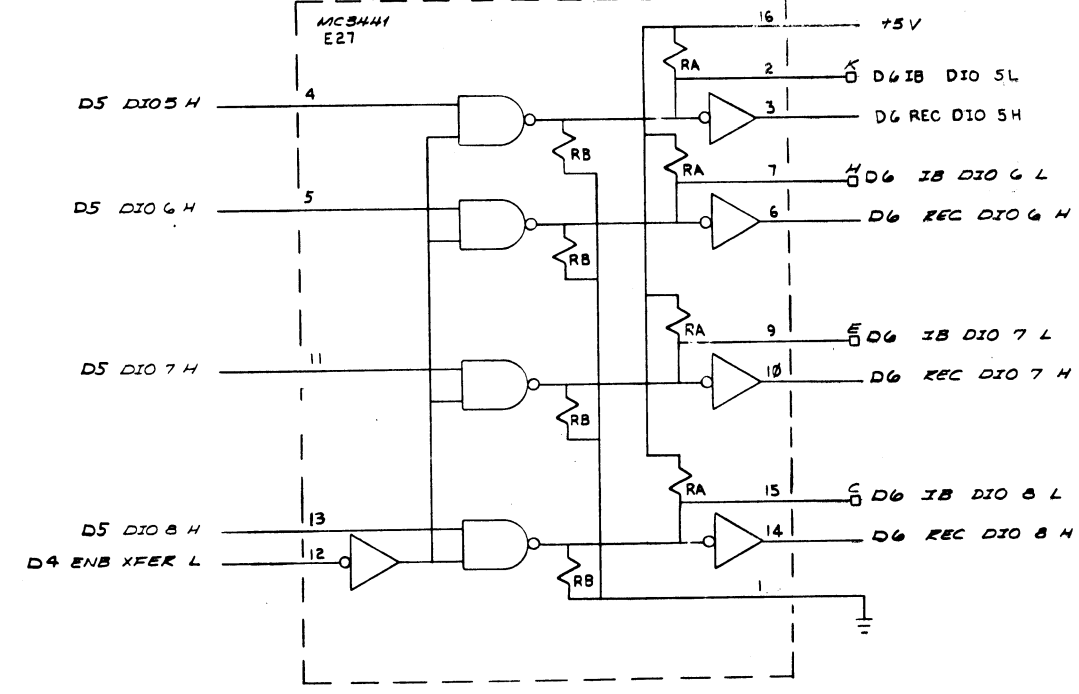
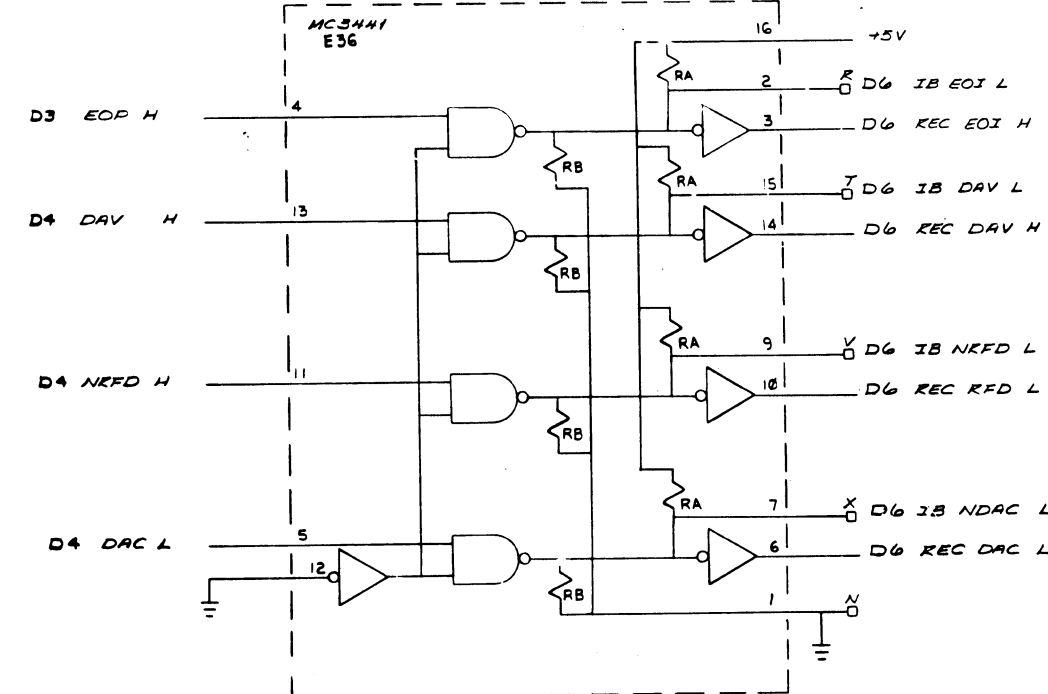
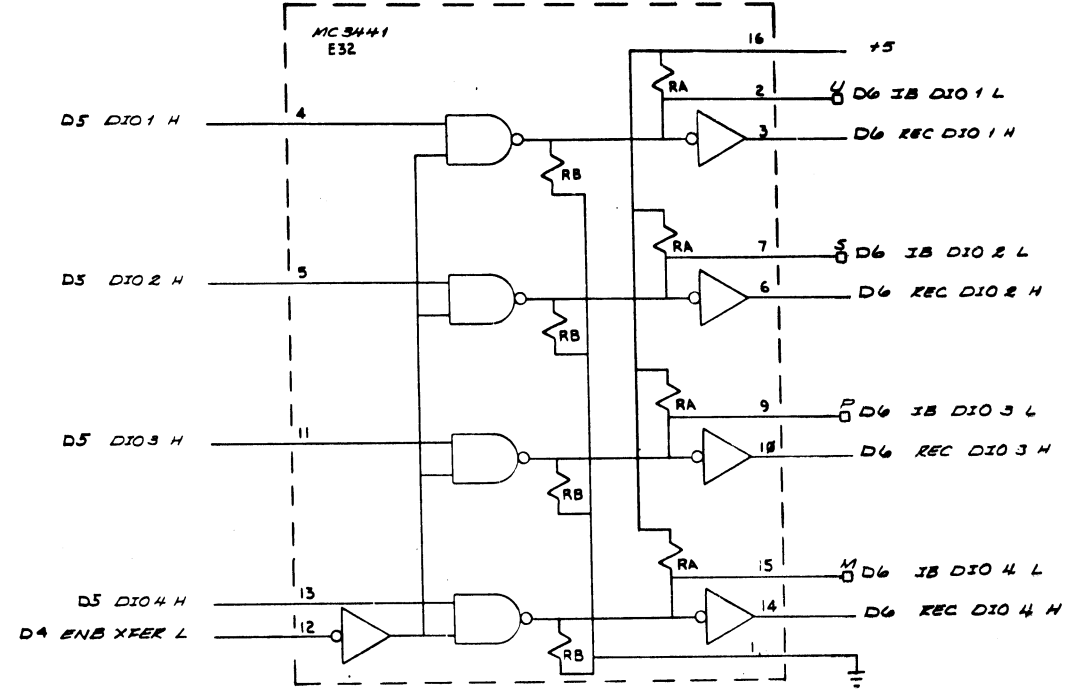
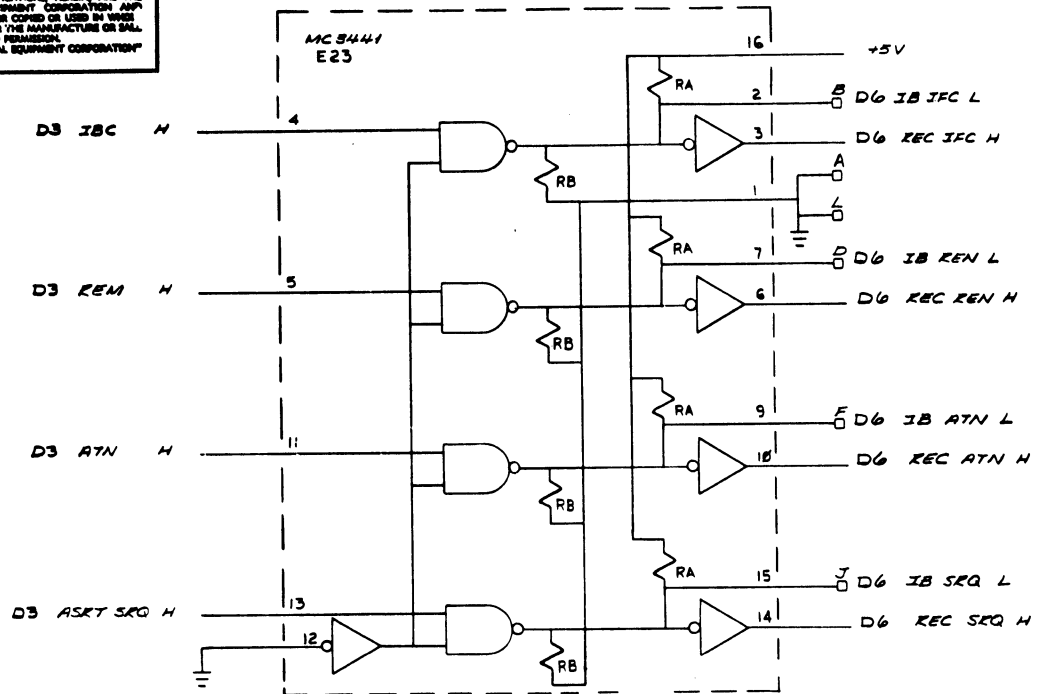
REVISIONS

CHK	CHANGE NO.	REV.

TITLE: LS11/IB INTERFACE
 SIZE CODE: DCS
 NUMBER: M7954-0-1
 REV: D
 SCALE: 1:1
 SHEET: 5 OF 7
 DIST:

DCS M7954-0-1

"THE DRAWING AND SPECIFICATIONS HEREIN ARE THE PROPERTY OF DIGITAL EQUIPMENT CORPORATION AND SHALL NOT BE REPRODUCED OR COPIED OR USED IN WHOLE OR IN PART AS THE BASIS FOR THE MANUFACTURE OR SALE OF ITEMS WITHOUT WRITTEN PERMISSION OF DIGITAL EQUIPMENT CORPORATION" © 1976



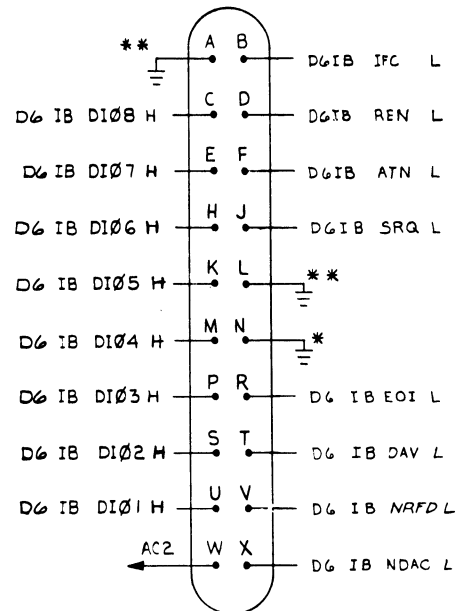
NOTES: 1. RA = 3.0 KΩ, INTERNAL RESISTOR.
 2. RB = 6.2 KΩ, INTERNAL RESISTOR.
 3. —○ is a BERG CONNECTOR PIN.

REVISIONS		
CHK	CHANGE NO.	REV.

TITLE LSI11/IB INTERFACE		SIZE CODE DCS	NUMBER M7954-0-1	REV. D
SCALE	SHEET 6 OF 7	DIST.		

"THIS DRAWING AND SPECIFICATIONS HEREIN ARE THE PROPERTY OF DIGITAL EQUIPMENT CORPORATION AND SHALL NOT BE REPRODUCED OR COPIED OR USED IN WHOLE OR IN PART AS THE BASIS FOR THE MANUFACTURE OR SALE OF ITEMS WITHOUT WRITTEN PERMISSION. COPYRIGHT © 1976 DIGITAL EQUIPMENT CORPORATION"

NOTES:
 1. (*) TERMINATION GROUND (PIN 1) OF DRIVER FOR EOI, DAV, NRFD & NDAC SIGNALS.
 2. (***) TERMINATION GROUND (PIN 1) OF DRIVER FOR IFC, REN, ATN & SRQ SIGNALS.



CABLE CONNECTOR PIN ASSIGNMENT

D7

REVISIONS		
CHK	CHANGE NO.	REV.

TITLE	SIZE CODE	NUMBER	REV.
LS11 / IB INTERFACE	D CS	M7954-0-1	D
SCALE	SHEET 7 OF 7	DIST.	

