

"THE MATERIAL HEREIN IS FOR INFORMATION PURPOSES ONLY AND IS SUBJECT TO CHANGE WITHOUT NOTICE. DIGITAL EQUIPMENT CORPORATION ASSUMES NO RESPONSIBILITY FOR ANY ERRORS WHICH MAY APPEAR HEREIN."

FIELD MAINTENANCE PRINT SET

"THIS DRAWING AND SPECIFICATIONS, HEREIN, ARE THE PROPERTY OF DIGITAL EQUIPMENT CORPORATION AND SHALL NOT BE REPRODUCED OR COPIED OR USED IN WHOLE OR IN PART AS THE BASIS FOR THE MANUFACTURE OR SALE OF ITEMS WITHOUT WRITTEN PERMISSION. COPYRIGHT © 1978 DIGITAL EQUIPMENT CORPORATION."

TABLE OF CONTENTS

B-TC-DLV11-J-1	FIELD MAINTENANCE PRINT SET
	TABLE OF CONTENTS
A-PL-DLV11-J-Ø	4 SERIAL LINE PER. CTRL.
A-PL-DLV11-J-SH	SHIPPING LIST (DLV11-J)
D-CS-M8Ø43-Ø-1	4 SERIAL LINE PER. CTRL.
D-UA-M8Ø43-Ø-Ø	4 SERIAL LINE PER. CTRL.
A-PS-23467A2-Ø-Ø	ROM MAP

UNIT VARIATIONS
COVERED BY THIS
PRINT SET

DLV11-J

DLV11-J
Field Maintenance
Print Set

Digital Equipment
Corporation

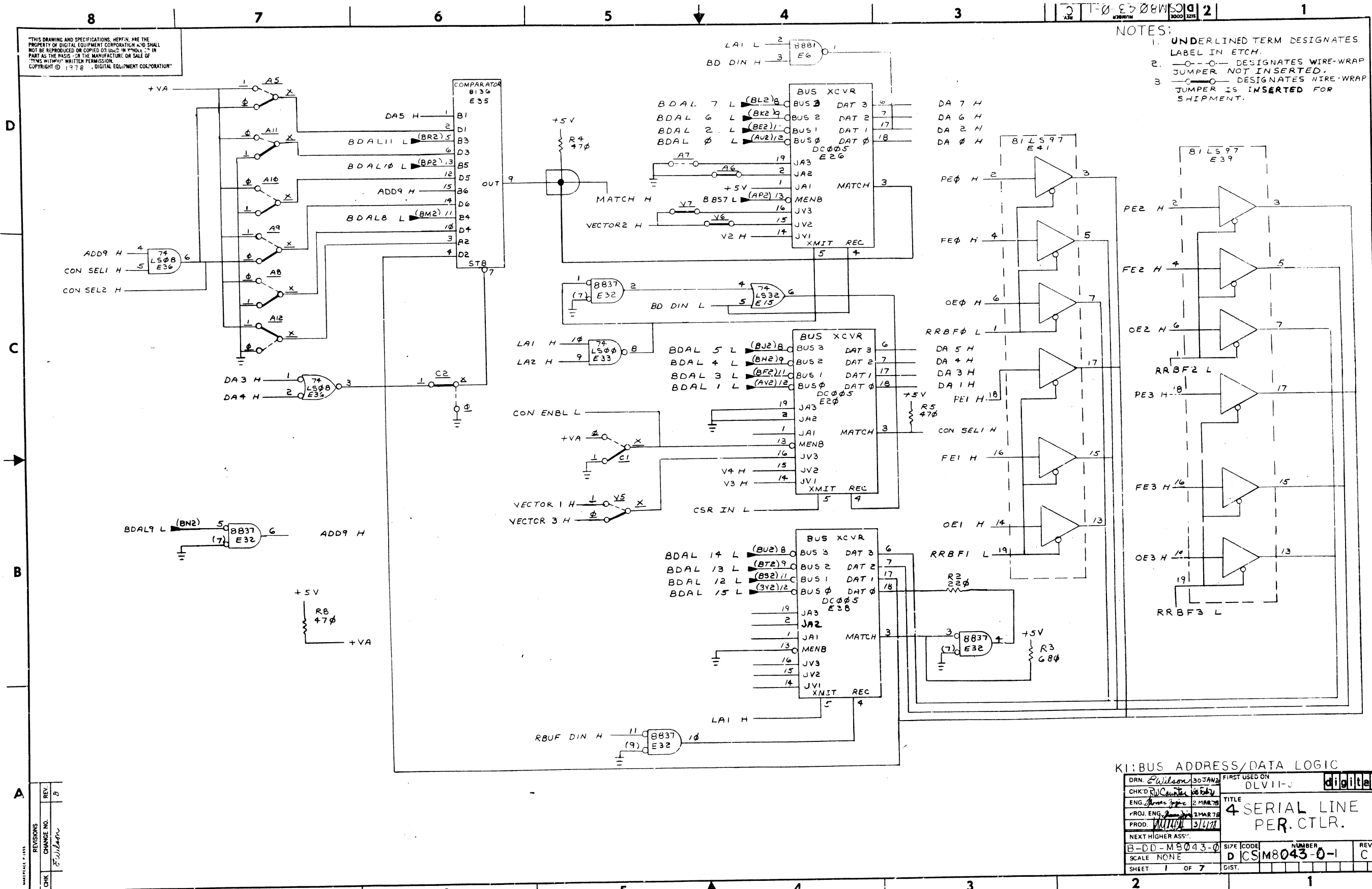
PRINT SET ORDER NO.
MPØØ585

REVISING	REV		USED ON OPTION/MODEL	DRN.	DATE	TITLE:	NUMBER				REV.
	CHG. NO.	REV					SIZE	CODE	DLV11-J-1		
DATE							B	TC			
			DLV11-J	<i>M. Manual</i>	<i>08/80</i>	4 SERIAL LINE PER. CTRL.					
				<i>CHG. Create</i>	<i>08/80</i>						
				<i>PROJ. ENG. James</i>	<i>08/80</i>						
				<i>FIELD SERV. J. H. Bell</i>	<i>08/80</i>						
			SHEET 1 OF 1								

REV. NUMBER DLV11-J-1

THIS DRAWING AND SPECIFICATIONS, HEREIN, ARE THE PROPERTY OF DIGITAL EQUIPMENT CORPORATION AND SHALL NOT BE REPRODUCED OR COPIED IN ANY MANNER, IN PART OR IN WHOLE, WITHOUT THE WRITTEN PERMISSION OF DIGITAL EQUIPMENT CORPORATION. COPYRIGHT © 1978.

NOTES:
 1. UNDERLINED TERM DESIGNATES LABEL IN ETCH.
 2. --- DESIGNATES WIRE-WRAP JUMPER NOT INSERTED.
 3. --- DESIGNATES WIRE-WRAP JUMPER IS INSERTED FOR SHIPMENT.



REV.	REV.
1	B
2	B

KI:BUS ADDRESS/DATA LOGIC			
DRN. <u>Wilson</u>	30 JAN 78	FIRST USED ON	DLV11-3
CHK'D <u>Carroll</u>	28 FEB 78	TITLE	4 SERIAL LINE PER. CTLR.
ENG. <u>Ames</u>	2 MAR 78	SIZE	D
PROJ. ENG. <u>Ames</u>	2 MAR 78	NUMBER	CSM8043-0-1
PROD. <u>Wilson</u>	31 JAN 78	REV.	C
NEXT HIGHER ASSY:		SCALE	NONE
B-DD-M8043-0		SHEET	1 OF 7

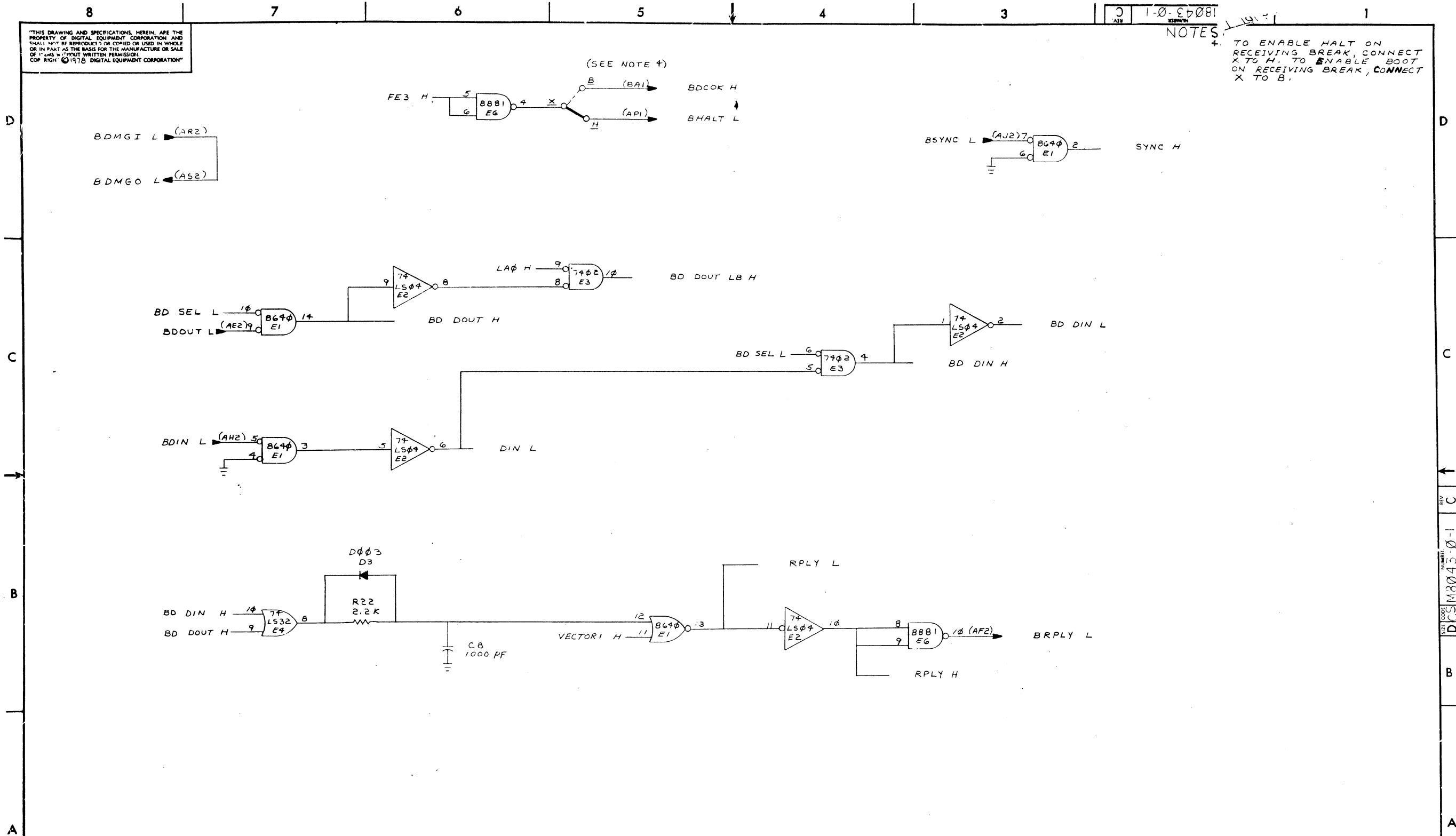
REV. C
CSM8043-0-1

"THIS DRAWING AND SPECIFICATIONS, HEREIN, ARE THE PROPERTY OF DIGITAL EQUIPMENT CORPORATION AND SHALL NOT BE REPRODUCED OR COPIED OR USED IN WHOLE OR IN PART AS THE BASIS FOR THE MANUFACTURE OR SALE OF ANY PRODUCT WITHOUT WRITTEN PERMISSION OF DIGITAL EQUIPMENT CORPORATION."

18043-0-1
REV. C

NOTES

4. TO ENABLE HALT ON RECEIVING BREAK, CONNECT X TO H. TO ENABLE BOOT ON RECEIVING BREAK, CONNECT X TO B.



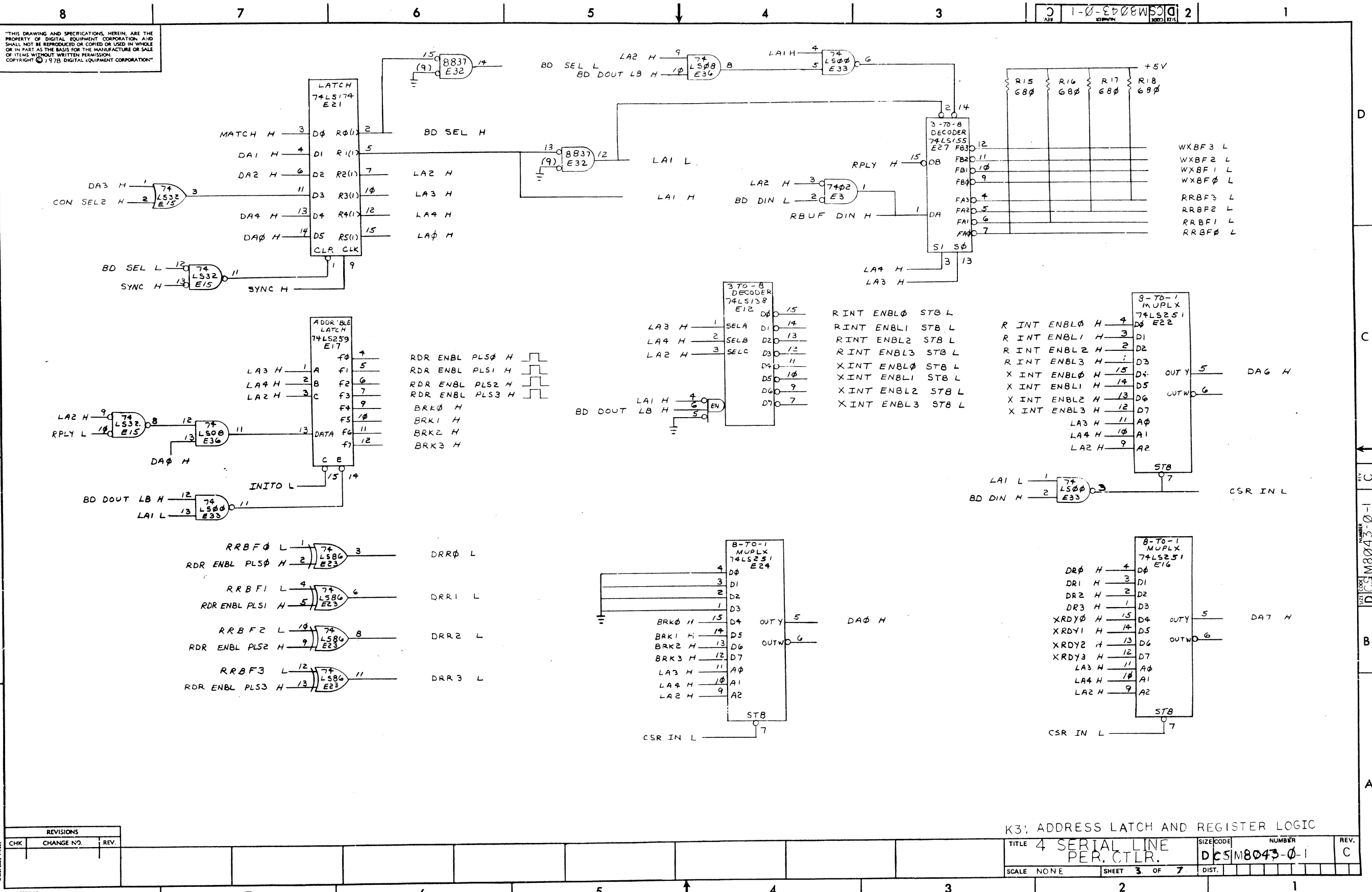
REVISIONS		
CHK	CHANGE NO.	REV.

K2: CONTROL AND HALT/BOOT LOGIC

TITLE	4 SERIAL LINE PER. CTRL.	SIZE CODE	NUMBER	REV.
SCALE	NON E	SHEET	2 OF 7	C
DIST.				

REV. C
 NUMBER DCSM8043-0-1
 SIZE CODE

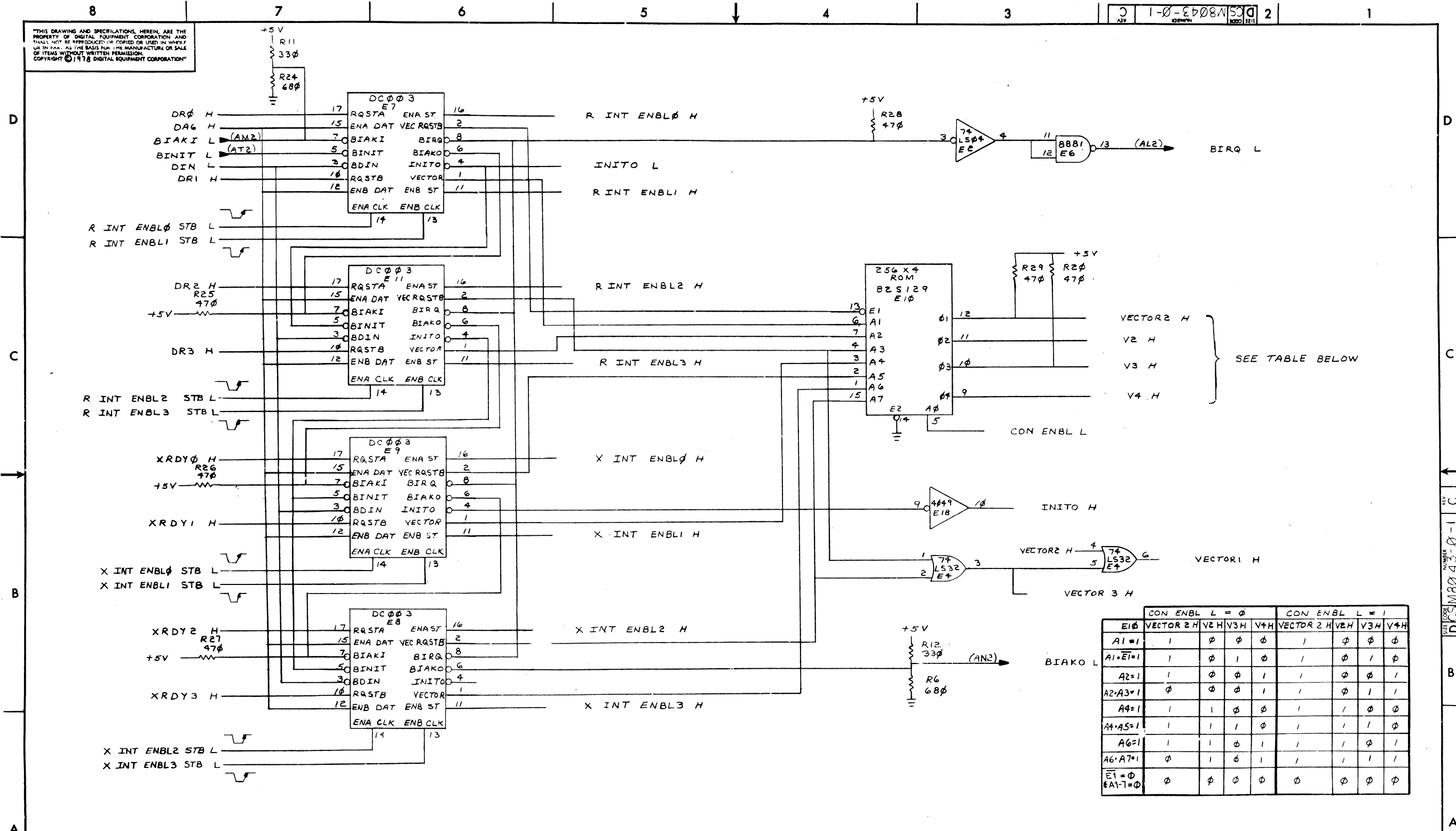
"THIS DRAWING AND SPECIFICATIONS, HEREIN, ARE THE PROPERTY OF DIGITAL EQUIPMENT CORPORATION AND SHALL NOT BE REPRODUCED OR COPIED OR USED IN WHOLE OR IN PART AS THE BASIS FOR THE MANUFACTURE OR SALE OF ITEMS WITHOUT WRITTEN PERMISSION. COPYRIGHT © 1978 DIGITAL EQUIPMENT CORPORATION"



K3: ADDRESS LATCH AND REGISTER LOGIC
 TITLE 4 SERIAL LINE PER. CTRL. SIZE CODE NUMBER DCS M8043-0-1 REV. C
 SCALE NONE SHEET 3 OF 7 DIST.

REVISIONS		
CHK	CHANGE NO.	REV.

"THIS DRAWING AND SPECIFICATIONS, HEREIN, ARE THE PROPERTY OF DIGITAL EQUIPMENT CORPORATION AND SHALL NOT BE REPRODUCED OR COPIED OR USED IN WHOLE OR IN PART, AS THE BASIS FOR THE MANUFACTURE OR SALE OF ITEMS WITHOUT WRITTEN PERMISSION. COPYRIGHT © 1978 DIGITAL EQUIPMENT CORPORATION"



SEE TABLE BELOW

E10	CON ENBL L = 0				CON ENBL L = 1			
	VECTOR 2 H	V2 H	V3 H	V4 H	VECTOR 2 H	V2 H	V3 H	V4 H
A1=1	1	0	0	0	1	0	0	0
A1·E1=1	1	0	1	0	1	0	1	0
A2=1	1	0	0	1	1	0	0	1
A2·A3=1	0	0	0	1	1	0	1	1
A4=1	1	1	0	0	1	1	0	0
A4·A5=1	1	1	1	0	1	1	1	0
A6=1	1	1	0	1	1	1	0	1
A6·A7=1	0	1	0	1	1	1	1	1
E1=0	0	0	0	0	0	0	0	0
E1·A1=0	0	0	0	0	0	0	0	0

REVISIONS		
CHK	CHANGE NO.	REV.

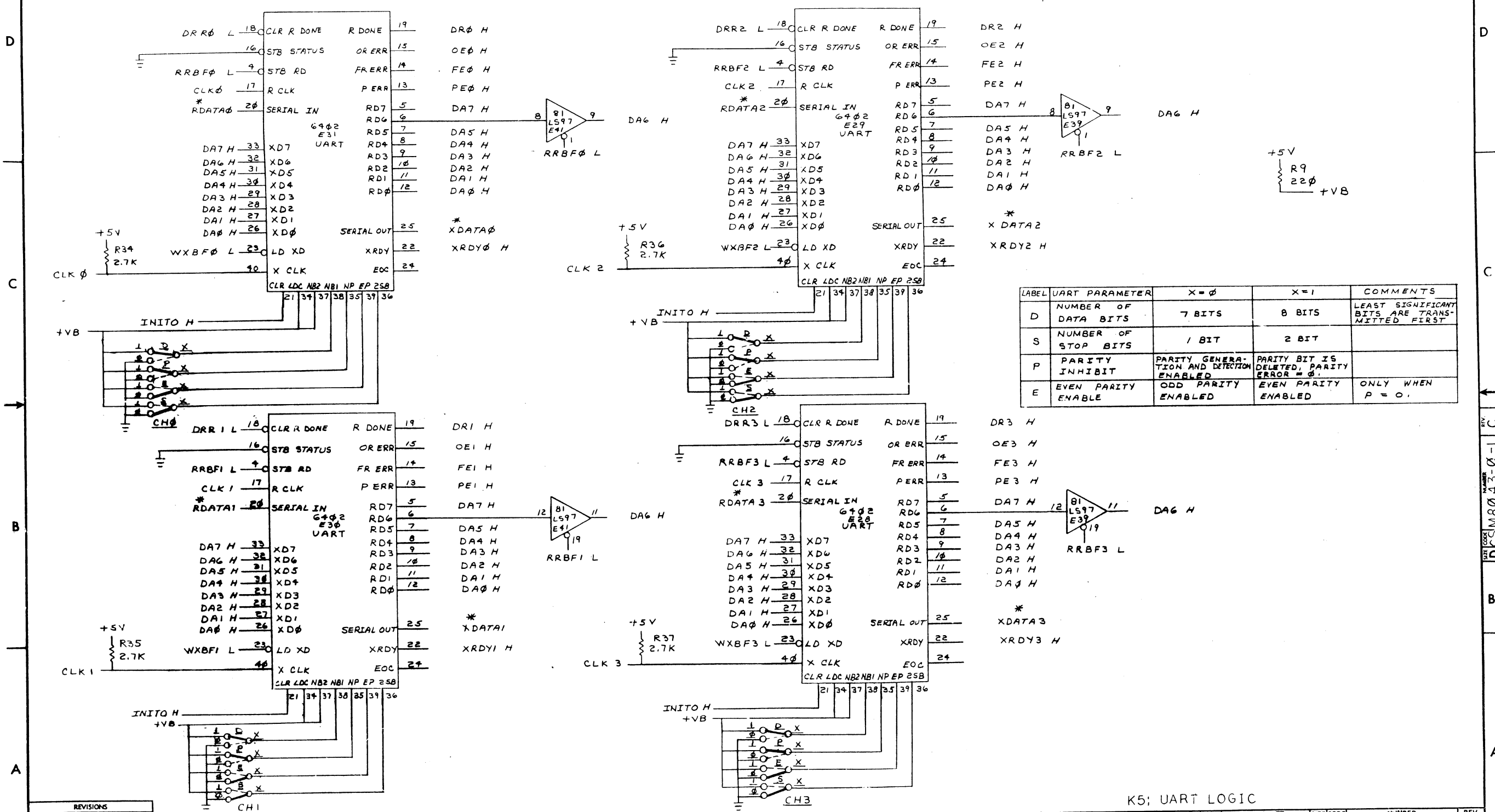
K4: INTERRUPT, VECTOR AND INIT LOGIC

TITLE	4 SERIAL LINE PER. CTRL.	SIZE CODE	NUMBER	REV.
		DCS M8043-0-1		C
SCALE	NONE	SHEET	4 OF 7	DIST.

REV. C NUMBER DCS M8043-0-1

"THIS DRAWING AND SPECIFICATIONS, HEREIN, ARE THE PROPERTY OF DIGITAL EQUIPMENT CORPORATION AND SHALL NOT BE REPRODUCED OR COPIED OR USED IN WHOLE OR IN PART AS THE BASIS FOR THE MANUFACTURE OR SALE OF ITEMS WITHOUT WRITTEN PERMISSION OF DIGITAL EQUIPMENT CORPORATION." COPYRIGHT © 1978 DIGITAL EQUIPMENT CORPORATION

NOTES:
 * S. (HIGH = MARK = 1
 V LOW = SPACE = 0)



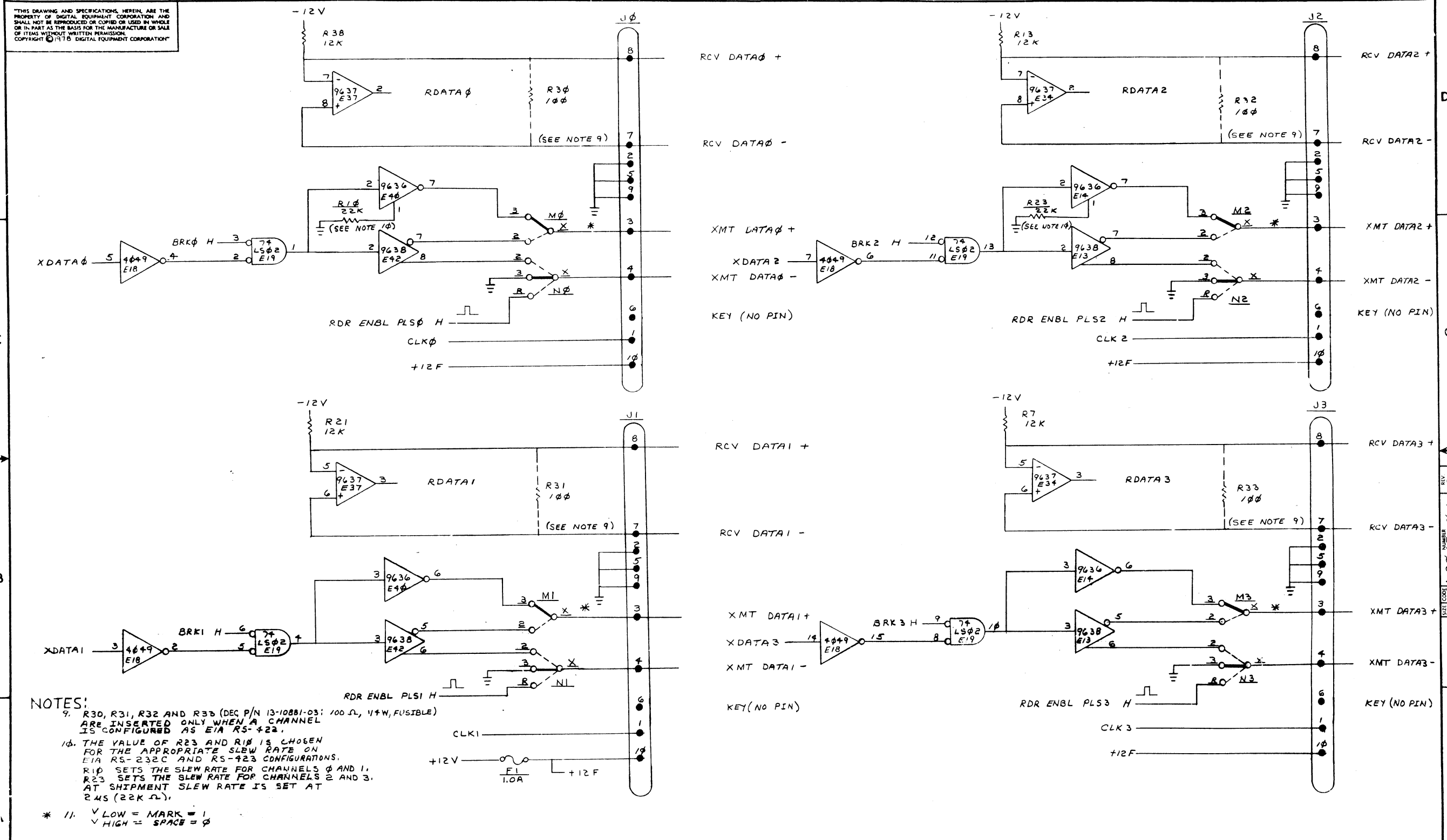
LABEL	UART PARAMETER	X=0	X=1	COMMENTS
D	NUMBER OF DATA BITS	7 BITS	8 BITS	LEAST SIGNIFICANT BITS ARE TRANSMITTED FIRST
S	NUMBER OF STOP BITS	1 BIT	2 BIT	
P	PARITY INHIBIT	PARITY GENERATION AND DETECTION ENABLED	PARITY BIT IS DELETED, PARITY ERROR = 0	
E	EVEN PARITY ENABLE	ODD PARITY ENABLED	EVEN PARITY ENABLED	ONLY WHEN P = 0.

K5; UART LOGIC

REVISIONS			TITLE	SIZE CODE	NUMBER	REV.
CHK	CHANGE NO.	REV.	4 SERIAL LINE PER. CTRL.	DCS	M8043-0-1	C
SCALE	NONE	SHEET	5	OF	7	DIST.

DCS M8043-0-1

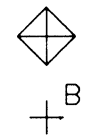
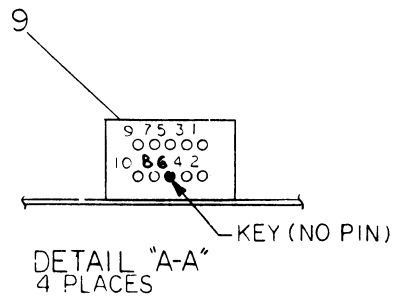
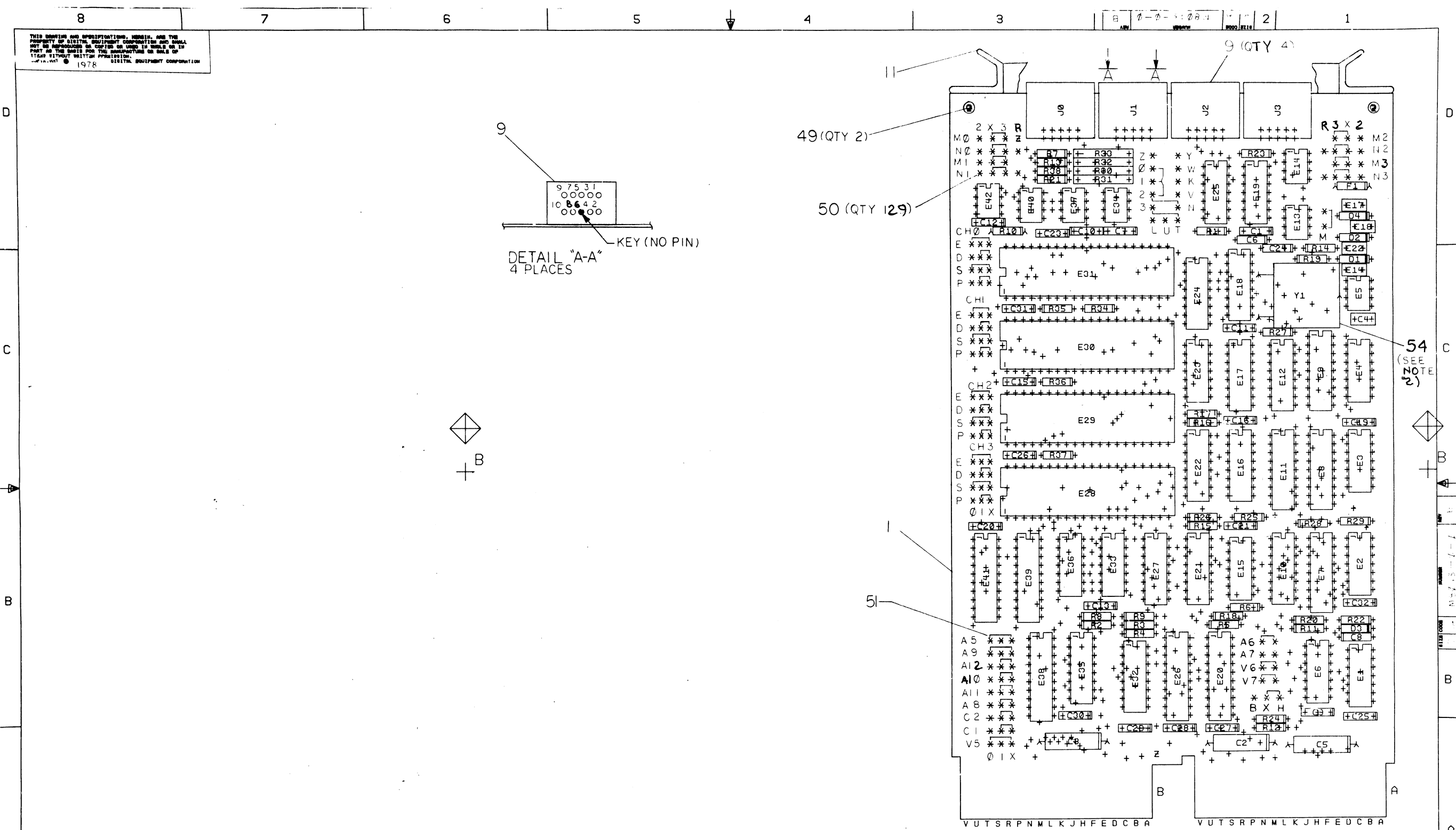
"THIS DRAWING AND SPECIFICATIONS, HEREIN, ARE THE PROPERTY OF DIGITAL EQUIPMENT CORPORATION AND SHALL NOT BE REPRODUCED OR COPIED OR USED IN WHOLE OR IN PART AS THE BASIS FOR THE MANUFACTURE OR SALE OF ITEMS WITHOUT WRITTEN PERMISSION. COPYRIGHT © 1975 DIGITAL EQUIPMENT CORPORATION"



NOTES:
 9. R30, R31, R32 AND R33 (DEC P/N 13-10881-03; 100 Ω, 1/4W, FUSIBLE) ARE INSERTED ONLY WHEN A CHANNEL IS CONFIGURED AS EIA RS-423.
 10. THE VALUE OF R23 AND R10 IS CHOSEN FOR THE APPROPRIATE SLEW RATE ON EIA RS-232C AND RS-423 CONFIGURATIONS. R10 SETS THE SLEW RATE FOR CHANNELS 0 AND 1. R23 SETS THE SLEW RATE FOR CHANNELS 2 AND 3. AT SHIPMENT SLEW RATE IS SET AT 2.45 (22K Ω).
 * 11. ✓ LOW = MARK = 1
 ✓ HIGH = SPACE = 0

REVISIONS			TITLE 4 SERIAL LINE PER. CTRLR.										SIZE CODE	NUMBER	REV.	
CHK	CHANGE NO.	REV.											D	DCS M8043-0-1	C	
			SCALE NONE SHEET 7 OF 7										DIST.			

THIS DRAWING AND SPECIFICATIONS, HEREIN, ARE THE PROPERTY OF DIGITAL EQUIPMENT CORPORATION AND SHALL NOT BE REPRODUCED OR COPIED OR USED IN WHOLE OR IN PART AS THE BASIS FOR THE MANUFACTURE OR SALE OF ITEMS WITHOUT WRITTEN PERMISSION. DIGITAL EQUIPMENT CORPORATION © 1978



54 (SEE NOTE 2)

- NOTES: 1. R30 THRU R33 OPTIONAL.
 2. CASE OF Y1 MUST BE INSULATED FROM PCB WITH ITEM 54.
 3. ** DESIGNATES WIRE-WRAP JUMPER (ITEM 51) INSERTED FOR SHIPMENT.

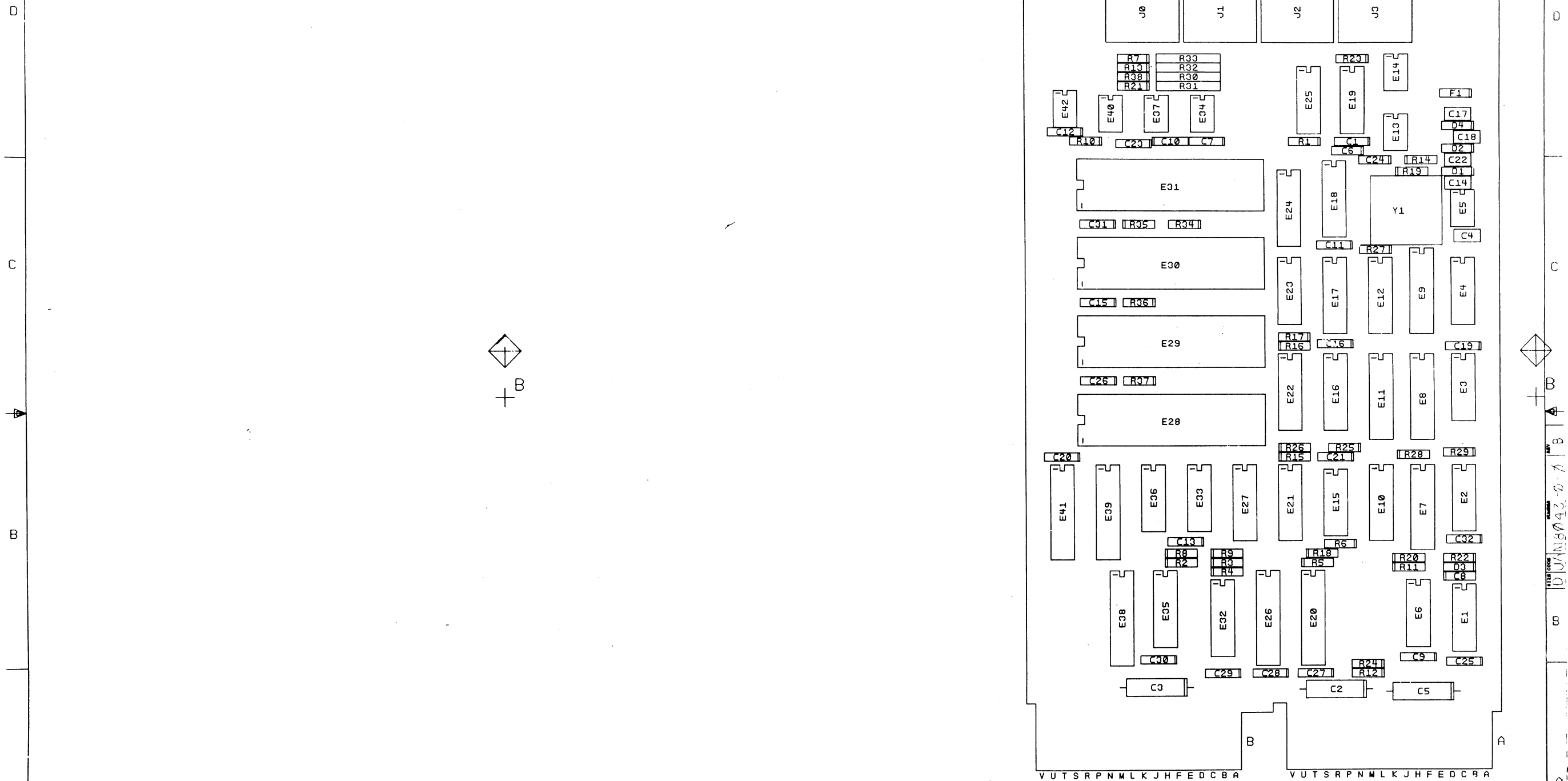
CHK	CHANGE NO	REV

FTCH REV. C	
Pa.C. DESIGN DATA BASE REV. C	

SIGNATURES	DATE
DRN. <i>[Signature]</i>	2-2-78
CHK'D. RW <i>[Signature]</i>	2/16/78
ENG. <i>[Signature]</i>	2 MAR 78
PROJ. ENG. <i>[Signature]</i>	2 MAR 78
PROD. <i>[Signature]</i>	3/16/78

digital	
TITLE 4 SERIAL LINE PER. CTRL.	
SCALE 2/1	SIZE CODE NUMBER REV
SHT. 1 OF 3	D PUA M8043-0-0 B
NEXT HIGHER ASSY. B-00-M8043-0	

THIS DRAWING AND SPECIFICATIONS, HEREIN, ARE THE PROPERTY OF DIGITAL EQUIPMENT CORPORATION AND SHALL NOT BE REPRODUCED OR COPIED OR USED IN WHOLE OR IN PART AS THE BASIS FOR THE MANUFACTURE OR SALE OF ITEMS WITHOUT WRITTEN PERMISSION.
 COPYRIGHT © 1978 DIGITAL EQUIPMENT CORPORATION



NOTES:

CHK	CHANGE NO	REV

SIGNATURES		DATE	digital
DRN. E. Wilson		1/24/78	
CHK. D. W. Lawton		1/24/78	TITLE 4 SERIAL LINE PER CTRL
ENG. Thomas J. Jaffe		2 MAR 78	
PROJ. ENG. Thomas J. Jaffe		2 MAR 78	SIZE CODE NUMBER 0 UA M8043-0-0 B
PROD. MJB		2/1/78	
SCALE	2/1	SHT. 2 OF 3	REV
NEXT HIGHER ASSY. B-ED-M8043-0			B

8

7

6

5

4

3

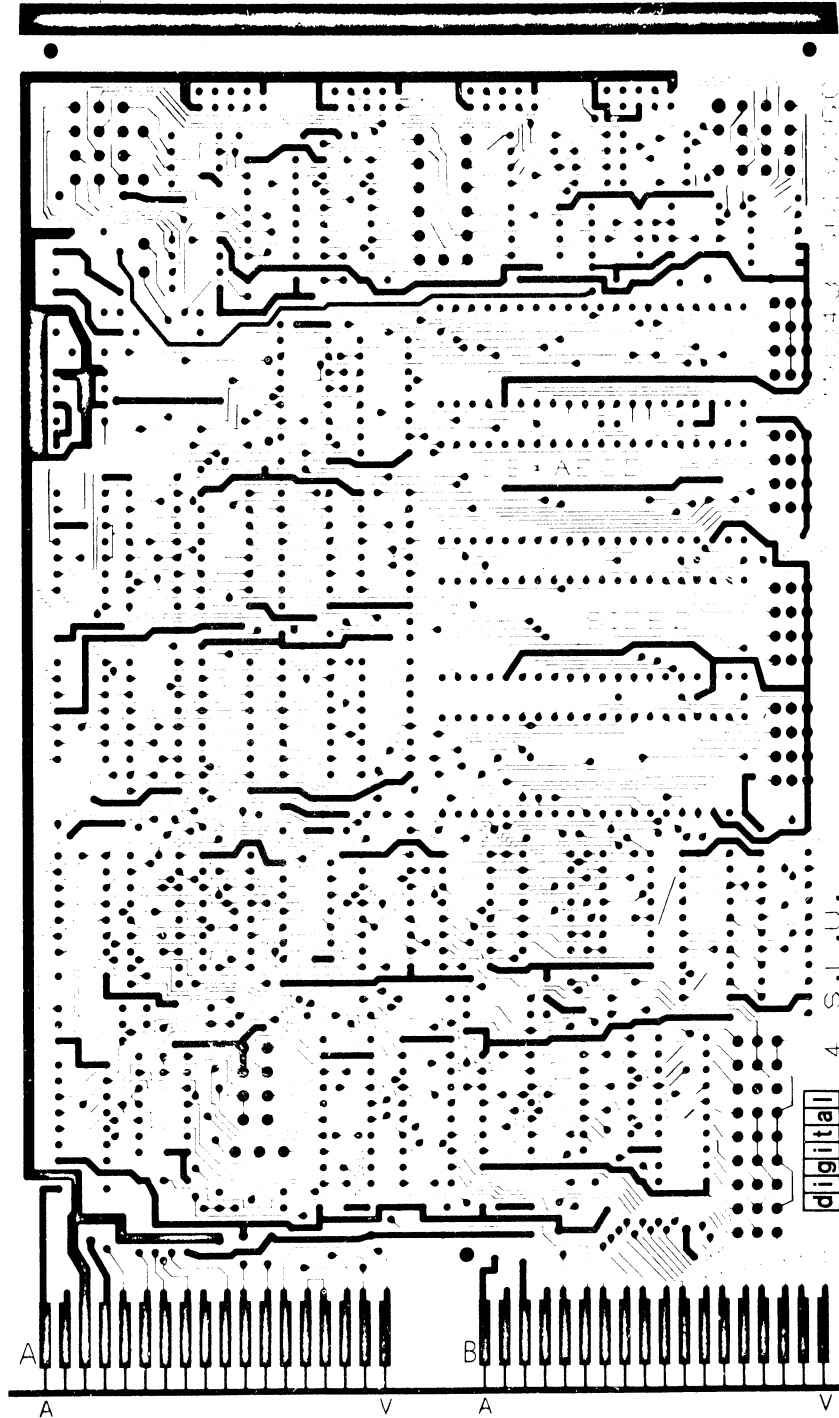
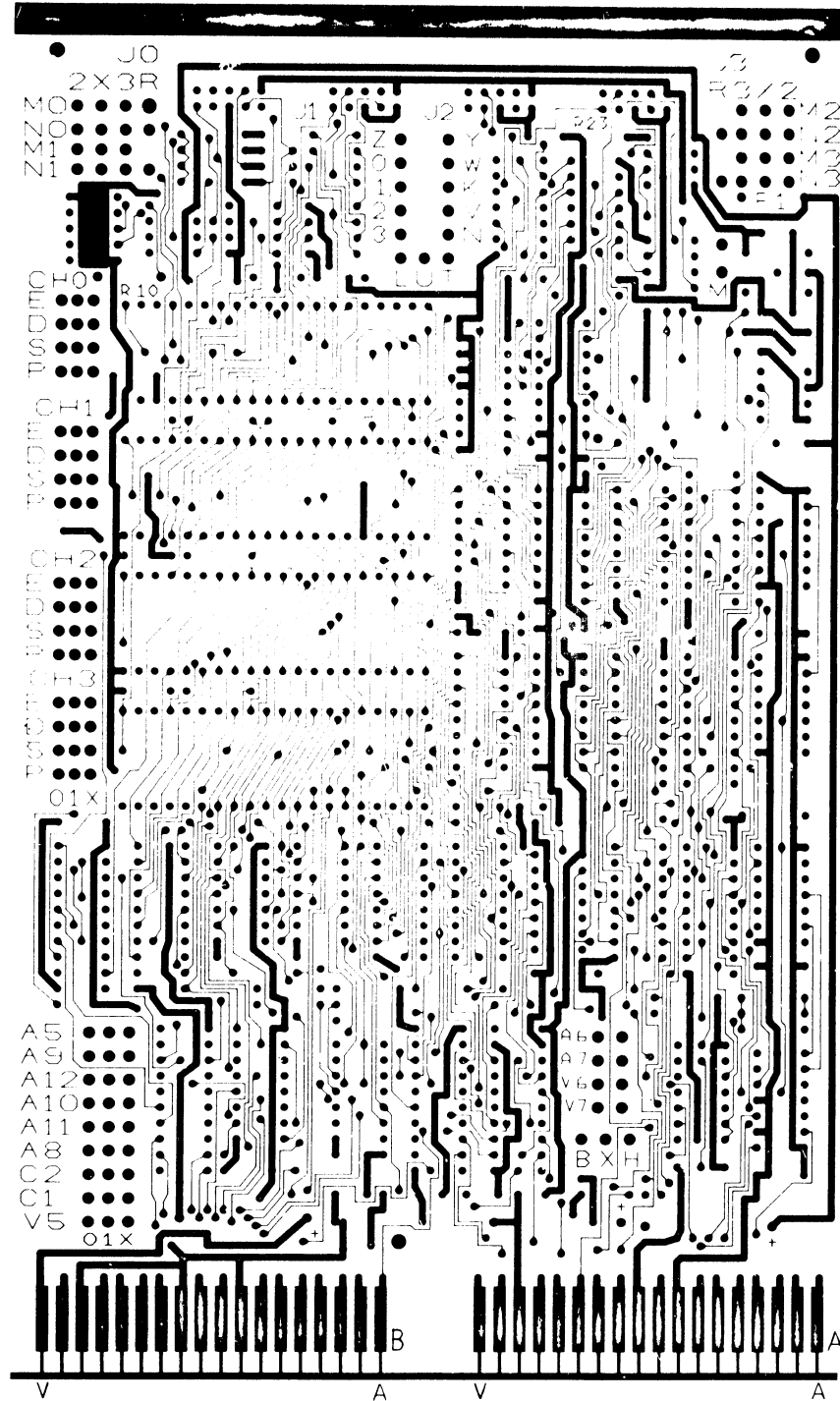
D U A I M 8 0 4 3 - 0 - 0 B 2

1

THIS DRAWING AND SPECIFICATIONS HERIN ARE THE PROPERTY OF DIGITAL EQUIPMENT CORPORATION AND ARE TO BE KEPT IN CONFIDENCE. NO PART OF THIS DRAWING OR SPECIFICATIONS IS TO BE REPRODUCED OR TRANSMITTED IN ANY FORM OR BY ANY MEANS, ELECTRONIC OR MECHANICAL, INCLUDING PHOTOCOPYING, RECORDING, OR BY ANY INFORMATION STORAGE AND RETRIEVAL SYSTEM, WITHOUT THE WRITTEN PERMISSION OF DIGITAL EQUIPMENT CORPORATION. COPYRIGHT © 1978

SIDE 1

SIDE 2



REVISIONS		
NO.	CHANGE TO	REV.

4 SERIAL LINE PER. CTRL. SHEET 3 3

D U A I M 8 0 4 3 - 0 - 0 B

MR 1

8

7

6

5

4

A

B

B

C

D

D

C

B

A

V

A

V

A

A

V

A

V

This document contains confidential proprietary information of Digital. This information shall not be disclosed to persons outside the employ of Digital, except by Digital personnel so authorized by Digital, and only for use by such other persons in the design, production or manufacture of products for Digital.

TITLE: PATTERN SPECIFICATION, PROM

DIGITAL PART NUMBER
23467A2-00

1. GENERAL DESCRIPTION:
PROM Pattern Specification, Tri-State Outputs
2. APPLICABLE DOCUMENTS (Per latest revision on date of order):
A-PS-23000A2-05, PROM, 256 x 4, TTL, Tri-State
3. REQUIREMENTS:
 - 3.1 Mechanical: Devices shall meet all requirements specified in the Base Device Purchase Specification A-PS-23000A2-05.
 - 3.2 Electrical: Devices shall meet all parameters specified in the Base Device Purchase Specification A-PS-23000A2-05.
 - 3.3 Truth Table: Per pages 2 and 3.
 - 3.4 Marking: After programming, by Digital, devices shall be marked 467A2.

APPROVED VENDOR
Per Qualified Vendor Listing

First Used On:
M8043

Unless Otherwise Specified:
Dimensions are in inches, tolerances are three decimals $\pm .005$, two place decimals $\pm .02$, one place decimal $\pm .1$; Angles $\pm 0^\circ 30'$.

REVISION AUTHORIZATION			APPROVAL AND DATE		SIZE	CODE	NUMBER	REV
SIGNATURE	REV	DATE	Design Eng.	Chief Eng. / Purch.	A	PS	23467A2-0-0	
			Tom Zafac 1/16/78					
			Writer	Comp. Eng.	PAGE 1		OF 3	
			J.E.P.	1/19/78				

DEC PART NUMBER: 23-467A2-00
LEFT COLUMN OF BIN DATA IS MSB

ORIGINATOR: T. ZAJAC
DATE ORIGINATED: 3/7/78

BINARY DATA "1" = HIGH
BINARY DATA "0" = LOW

SHEET 2 OF 3

DEC LOC	HEX LOC	OCT LOC	OCT DAT	HEX DAT	BIN DAT	DEC LOC	HEX LOC	OCT LOC	OCT DAT	HEX DAT	BIN DAT	DEC LOC	HEX LOC	OCT LOC	OCT DAT	HEX DAT	BIN DAT	DEC LOC	HEX LOC	OCT LOC	OCT DAT	HEX DAT	BIN DAT
0	00	000	00	0	0000	32	20	040	00	0	0000	64	40	100	13	8	1011	96	60	140	00	0	0000
1	01	001	00	0	0000	33	21	041	00	0	0000	65	41	101	13	8	1011	97	61	141	00	0	0000
2	02	002	01	1	0001	34	22	042	00	0	0000	66	42	102	00	0	0000	98	62	142	00	0	0000
3	03	003	01	1	0001	35	23	043	00	0	0000	67	43	103	00	0	0000	99	63	143	00	0	0000
4	04	004	11	9	1001	36	24	044	00	0	0000	68	44	104	00	0	0000	100	64	144	00	0	0000
5	05	005	11	9	1001	37	25	045	00	0	0000	69	45	105	00	0	0000	101	65	145	00	0	0000
6	06	006	00	0	0000	38	26	046	00	0	0000	70	46	106	00	0	0000	102	66	146	00	0	0000
7	07	007	00	0	0000	39	27	047	00	0	0000	71	47	107	00	0	0000	103	67	147	00	0	0000
8	08	010	00	0	0000	40	28	050	00	0	0000	72	48	110	00	0	0000	104	68	150	00	0	0000
9	09	011	00	0	0000	41	29	051	00	0	0000	73	49	111	00	0	0000	105	69	151	00	0	0000
10	0A	012	00	0	0000	42	2A	052	00	0	0000	74	4A	112	00	0	0000	106	6A	152	00	0	0000
11	0B	013	00	0	0000	43	2B	053	00	0	0000	75	4B	113	00	0	0000	107	6B	153	00	0	0000
12	0C	014	10	8	1000	44	2C	054	00	0	0000	76	4C	114	00	0	0000	108	6C	154	00	0	0000
13	0D	015	15	D	1101	45	2D	055	00	0	0000	77	4D	115	00	0	0000	109	6D	155	00	0	0000
14	0E	016	00	0	0000	46	2E	056	00	0	0000	78	4E	116	00	0	0000	110	6E	156	00	0	0000
15	0F	017	00	0	0000	47	2F	057	00	0	0000	79	4F	117	00	0	0000	111	6F	157	00	0	0000
16	10	020	03	3	0011	48	30	060	07	7	0111	80	50	120	00	0	0000	112	70	160	00	0	0000
17	11	021	03	3	0011	49	31	061	07	7	0111	81	51	121	00	0	0000	113	71	161	00	0	0000
18	12	022	00	0	0000	50	32	062	00	0	0000	82	52	122	00	0	0000	114	72	162	00	0	0000
19	13	023	00	0	0000	51	33	063	00	0	0000	83	53	123	00	0	0000	115	73	163	00	0	0000
20	14	024	00	0	0000	52	34	064	00	0	0000	84	54	124	00	0	0000	116	74	164	00	0	0000
21	15	025	00	0	0000	53	35	065	00	0	0000	85	55	125	00	0	0000	117	75	165	00	0	0000
22	16	026	00	0	0000	54	36	066	00	0	0000	86	56	126	00	0	0000	118	76	166	00	0	0000
23	17	027	00	0	0000	55	37	067	00	0	0000	87	57	127	00	0	0000	119	77	167	00	0	0000
24	18	030	00	0	0000	56	38	070	00	0	0000	88	58	130	00	0	0000	120	78	170	00	0	0000
25	19	031	00	0	0000	57	39	071	00	0	0000	89	59	131	00	0	0000	121	79	171	00	0	0000
26	1A	032	00	0	0000	58	3A	072	00	0	0000	90	5A	132	00	0	0000	122	7A	172	00	0	0000
27	1B	033	00	0	0000	59	3B	073	00	0	0000	91	5B	133	00	0	0000	123	7B	173	00	0	0000
28	1C	034	00	0	0000	60	3C	074	00	0	0000	92	5C	134	00	0	0000	124	7C	174	00	0	0000
29	1D	035	00	0	0000	61	3D	075	00	0	0000	93	5D	135	00	0	0000	125	7D	175	00	0	0000
30	1E	036	00	0	0000	62	3E	076	00	0	0000	94	5E	136	00	0	0000	126	7E	176	00	0	0000
31	1F	037	00	0	0000	63	3F	077	00	0	0000	95	5F	137	00	0	0000	127	7F	177	00	0	0000

REV	NOTES		FIRST USED ON OPTION MODEL		DIGITAL EQUIPMENT CORPORATION MAYNARD, MASSACHUSETTS			
DRN.	DATE	CHK'D.		DATE	TITLE			
ENG.	DATE	PROJ. ENG.		DATE	256 X 4			
PROD.	DATE	NEXT HIGHER ASSEMBLY		DATE	ROM/PROM PATTERN SPEC			
SIZE	CODE	NUMBER		REV				
CHK		23467A2-0-0						
"THIS DRAWING AND SPECIFICATIONS HEREIN, ARE THE PROPERTY OF DIGITAL EQUIPMENT CORPORATION AND SHALL NOT BE REPRODUCED OR COPIED OR USED IN WHOLE OR IN PART AS THE BASIS FOR THE MANUFACTURE OR SALE OF ITEMS WITHOUT WRITTEN PERMISSION. COPYRIGHT 1978, DIGITAL EQUIPMENT CORPORATION"								

DEC PART NUMBER: 23-467A2-00
LEFT COLUMN OF BIN DATA IS MSB

ORIGINATOR: T. ZAJAC
DATE ORIGINATED: 3/7/78

BINARY DATA "1" = HIGH
BINARY DATA "0" = LOW

SHEET 3 OF 3

DEC LOC	HEX LOC	OCT LOC	OCT DAT	HEX DAT	BIN DAT	DEC LOC	HEX LOC	OCT LOC	OCT DAT	HEX DAT	BIN DAT	DEC LOC	HEX LOC	OCT LOC	OCT DAT	HEX DAT	BIN DAT	DEC LOC	HEX LOC	OCT LOC	OCT DAT	HEX DAT	BIN DAT
128	80	200	00	0	0000	160	A0	240	00	0	0000	192	C0	300	12	A	1010	224	E0	340	00	0	0000
129	81	201	00	0	0000	161	A1	241	00	0	0000	193	C1	301	17	F	1111	225	E1	341	00	0	0000
130	82	202	00	0	0000	162	A2	242	00	0	0000	194	C2	302	00	0	0000	226	E2	342	00	0	0000
131	83	203	00	0	0000	163	A3	243	00	0	0000	195	C3	303	00	0	0000	227	E3	343	00	0	0000
132	84	204	00	0	0000	164	A4	244	00	0	0000	196	C4	304	00	0	0000	228	E4	344	00	0	0000
133	85	205	00	0	0000	165	A5	245	00	0	0000	197	C5	305	00	0	0000	229	E5	345	00	0	0000
134	86	206	00	0	0000	166	A6	246	00	0	0000	198	C6	306	00	0	0000	230	E6	346	00	0	0000
135	87	207	00	0	0000	167	A7	247	00	0	0000	199	C7	307	00	0	0000	231	E7	347	00	0	0000
136	88	208	00	0	0000	168	A8	250	00	0	0000	200	C8	310	00	0	0000	232	E8	350	00	0	0000
137	89	211	00	0	0000	169	A9	251	00	0	0000	201	C9	311	00	0	0000	233	E9	351	00	0	0000
138	8A	212	00	0	0000	170	AA	252	00	0	0000	202	CA	312	00	0	0000	234	EA	352	00	0	0000
139	8B	213	00	0	0000	171	AB	253	00	0	0000	203	CB	313	00	0	0000	235	EB	353	00	0	0000
140	8C	214	00	0	0000	172	AC	254	00	0	0000	204	CC	314	00	0	0000	236	EC	354	00	0	0000
141	8D	215	00	0	0000	173	AD	255	00	0	0000	205	CD	315	00	0	0000	237	ED	355	00	0	0000
142	8E	216	00	0	0000	174	AE	256	00	0	0000	206	CE	316	00	0	0000	238	EE	356	00	0	0000
143	8F	217	00	0	0000	175	AF	257	00	0	0000	207	CF	317	00	0	0000	239	EF	357	00	0	0000
144	90	220	00	0	0000	176	B0	260	00	0	0000	208	DA	320	00	0	0000	240	F0	360	00	0	0000
145	91	221	00	0	0000	177	B1	261	00	0	0000	209	D1	321	00	0	0000	241	F1	361	00	0	0000
146	92	222	00	0	0000	178	B2	262	00	0	0000	210	D2	322	00	0	0000	242	F2	362	00	0	0000
147	93	223	00	0	0000	179	B3	263	00	0	0000	211	D3	323	00	0	0000	243	F3	363	00	0	0000
148	94	224	00	0	0000	180	B4	264	00	0	0000	212	D4	324	00	0	0000	244	F4	364	00	0	0000
149	95	225	00	0	0000	181	B5	265	00	0	0000	213	D5	325	00	0	0000	245	F5	365	00	0	0000
150	96	226	00	0	0000	182	B6	266	00	0	0000	214	D6	326	00	0	0000	246	F6	366	00	0	0000
151	97	227	00	0	0000	183	B7	267	00	0	0000	215	D7	327	00	0	0000	247	F7	367	00	0	0000
152	98	230	00	0	0000	184	B8	270	00	0	0000	216	D8	330	00	0	0000	248	F8	370	00	0	0000
153	99	231	00	0	0000	185	B9	271	00	0	0000	217	D9	331	00	0	0000	249	F9	371	00	0	0000
154	9A	232	00	0	0000	186	BA	272	00	0	0000	218	DA	332	00	0	0000	250	FA	372	00	0	0000
155	9B	233	00	0	0000	187	BB	273	00	0	0000	219	DB	333	00	0	0000	251	FB	373	00	0	0000
156	9C	234	00	0	0000	188	BC	274	00	0	0000	220	DC	334	00	0	0000	252	FC	374	00	0	0000
157	9D	235	00	0	0000	189	BD	275	00	0	0000	221	DD	335	00	0	0000	253	FD	375	00	0	0000
158	9E	236	00	0	0000	190	BE	276	00	0	0000	222	DE	336	00	0	0000	254	FE	376	00	0	0000
159	9F	237	00	0	0000	191	BF	277	00	0	0000	223	DF	337	00	0	0000	255	FF	377	00	0	0000

DIGITAL EQUIPMENT CORPORATION MAYNARD, MASSACHUSETTS	TITLE	256 X 4 ROM/PROM PATTERN SPEC	SIZE	CODE	NUMBER	REV
			K	PS	23467A2-0-0	

"THIS DRAWING AND SPECIFICATIONS, HEREIN, ARE THE PROPERTY OF DIGITAL EQUIPMENT CORPORATION AND SHALL NOT BE REPRODUCED OR COPIED OR USED IN WHOLE OR IN PART AS THE BASIS FOR THE MANUFACTURE OR SALE OF ITEMS WITHOUT WRITTEN PERMISSION. COPYRIGHT © 1978, DIGITAL EQUIPMENT CORPORATION"

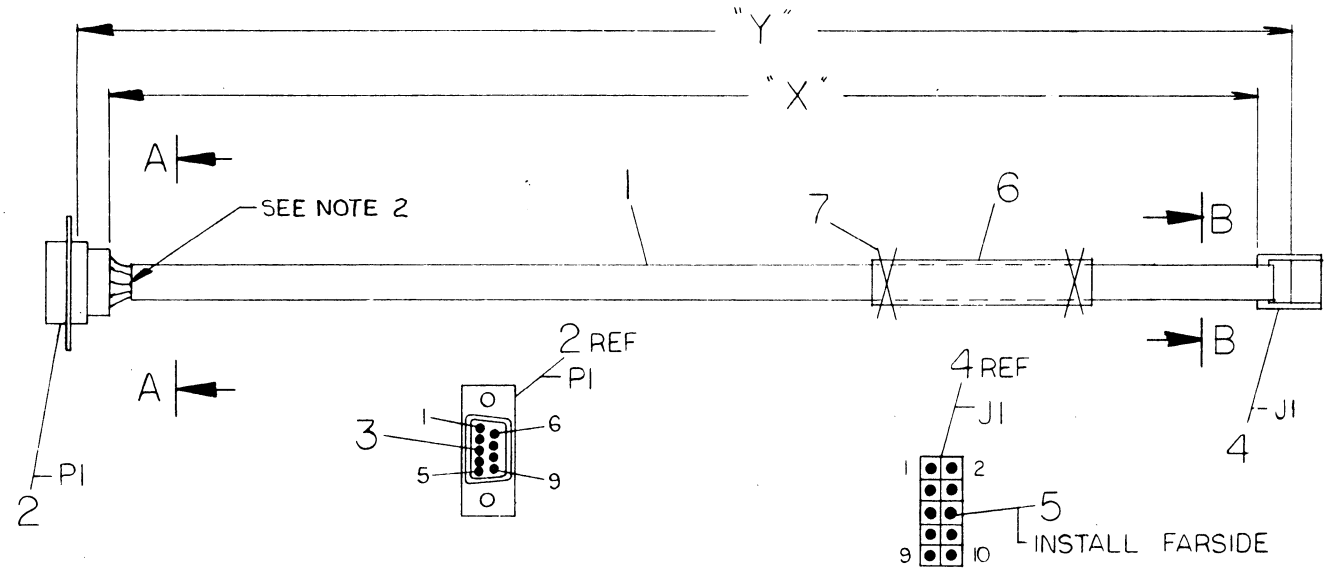
LEGEND

NUMBER	DIM. 'X' VAR.	DIM. 'Y' VAR. PRECUT
7015575-00	1 FT. 1 IN. ±.5 IN.	1 FT. 2 IN. ±.5 IN.
7015575-01	1 FT. ±.5 IN.	1 FT 1 IN. ±.5 IN.
7015575-02	11 INCH ±.5 IN.	1 FT ±.5 IN.
7015575-03	10 INCH ±.5 IN	11 IN ±.5 IN.

WIRE TABLE

ITEM NO.	DESCRIPTION		FROM		TO		REMARKS
	AWG	COLOR	CONN	WITH	CONN	WITH	
1	28	BRN	PI-1	3	J1-1	---	
	↑	BLK	PI-2	↑	J1-10	---	
		RED	PI-3		J1-2	---	
		ORN	PI-4		J1-3	---	
		YEL	PI-5		J1-4	---	
		WHT	PI-6		J1-9	---	
		GRY	PI-7		J1-8	---	
	↓	VIO	PI-8	↓	J1-7	---	
	28	GRN	PI-9	3	J1-5	---	

NOTES:
 1. USING ITEM #1 20 CONDUCTOR CABLE, PEEL INTO TWO, 10 WIRE STRIPS, PER VARIATION OF LENGTHS.
 2. CUT BLU WIRE BACK 1 (ONE) INCH.



VIEW A-A
PIN INSERTION SIDE
SCALE: 1/1

VIEW B-B
SKT INSERTION SIDE
SCALE: 2/1

2	2	2	2	CABLE TIE	9007031	7
1	1	1	1	CABLE, CABLE IDENT.	9009532	6
1	1	1	1	TERMINAL, DUMMY	9009140	5
1	1	1	1	CONN, HOUSING 10 PIN	1211206-02	4
9	9	9	9	CONTACT, PIN	9009763	3
1	1	1	1	CONN, RECEPTACLE 9 PIN	1212700-01	2
A/R	A/R	A/R	A/R	CABLE, RIBBON 20 COND.	1700052-02	1

DESCRIPTION	DWG./PART NO.	ITEM NO.					
UNLESS OTHERWISE SPECIFIED DIMENSIONS ARE IN INCHES							
ANGLES ±0° 30'	CLASS OF ACCURACY	NOMINAL DIMENSION RANGE INCHES					
SURFACE QUALITY IN MICROINCHES	(CHECK ONE)	OVER 0 TO 0.2	OVER 0.2 TO 1.2	OVER 1.2 TO 4.0	OVER 4.0 TO 12.0	OVER 12.0 TO 40.0	OVER 40.0 TO 80.0
		MEDIUM <input type="checkbox"/>	±.004	±.008	±.012	±.016	±.024
	PREFERRED <input checked="" type="checkbox"/>	±.012	±.016	±.025	±.04	±.063	±.1

REVISIONS

REV.	CHANGE NO.	DESCRIPTION
1	7015575-0001	A

A. FILZ

THIRD ANGLE PROJECTION

REMOVE BURRS AND BREAK SHARP CORNERS

DO NOT SCALE DWG

MATERIAL SEE PARTS LIST

FINISH

DRN. M. Archer 1 FEB 78

CHK'D I. Hallett 13 FEB 78

ENG. J. Goddard 10 MAR 78

PROJ. ENG. A.C. Ely 21 FEB 78

PROD. T. B. 21 FEB 78

FIRST USED ON MNCII digital

TITLE CABLE, SLU INTERFACE

SIZE C CODE IA NUMBER 7015575-0-0 REV. A

SHEET 1 OF 1

4

3

2

1

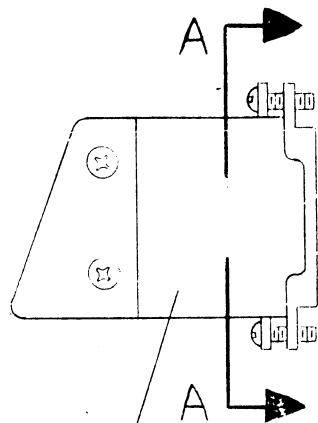
018

THIS DRAWING AND SPECIFICATIONS HEREIN ARE THE PROPERTY OF DIGITAL EQUIPMENT CORPORATION AND SHALL NOT BE REPRODUCED OR COPIED OR USED IN WHOLE OR IN PART AS THE BASIS FOR THE MANUFACTURE OR SALE OF ITEMS WITHOUT WRITTEN PERMISSION.

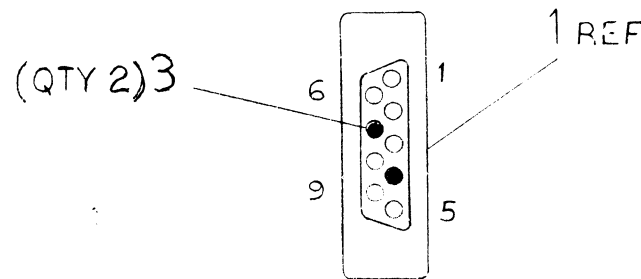
COPYRIGHT © 1978 DIGITAL EQUIPMENT CORPORATION

WIRE TABLE

ITEM NO.	DESCRIPTION		FROM		TO	
	AWG	COLOR	CONN	WITH	CONN	WITH
4	22	BLK	J1-7	3	J1-4	3



1
2
5



SECTION A-A
PIN INSERTION SIDE
SCALE: NONE

4	WIRE, 22 AWG (BLK)	9107350-00	4
2	CONTACT, SKT	9006762	3
1	HOOD, 9 POSITION	1215244-00	2
1	HOUSING, 9 SKT	1211244-01	1

DESCRIPTION	DWG./PART NO.	ITEM NO.	UNLESS OTHERWISE SPECIFIED DIMENSIONS ARE IN INCHES					
			NOMINAL DIMENSION RANGE INCHES					
ANGLES ± 90° 30'	CLASS OF ACCURACY (CHECK ONE)	OVER						
SURFACE QUALITY IN		0 TO 0.2	0.2 TO 0.5	0.5 TO 1.0	1.0 TO 2.0	2.0 TO 5.0	5.0 TO 80.0	
MICROINCHES	MEDIUM <input type="checkbox"/>	±.004	±.008	±.012	±.016	±.024	±.04	
	PREFERRED <input type="checkbox"/>	±.012	±.016	±.025	±.04	±.063	±.1	

THIRD ANGLE PROJECTION

REMOVE BURRS AND BREAK SHARP CORNERS

DO NOT SCALE DWG

MATERIAL: SEE PARTS LIST

FINISH: NONE

DRN. R. D. [Signature] 15 MAY 78

CHK'D B. [Signature] 17 MAY 78

ENG. [Signature]

PROJ. ENG. [Signature]

PROD. [Signature]

NEXT HIGHER ASSY.

FIRST USED ON: MNCII

TITLE: CONNECTOR, TEST

SIZE: B

CODE: IA

NUMBER: 7015911-0-0

REV. A

REVISIONS	CHANGE NO.	REV.
	7015911-0-001	A

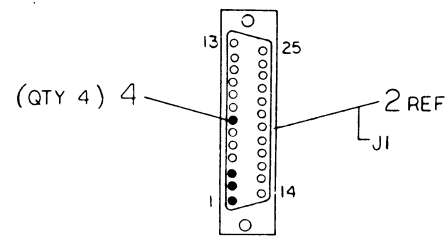
A FILZ

THIS DRAWING AND SPECIFICATIONS, HEREIN, ARE THE PROPERTY OF DIGITAL EQUIPMENT CORPORATION AND SHALL NOT BE REPRODUCED OR COPIED OR USED IN WHOLE OR IN PART WITHOUT THE WRITTEN PERMISSION OF DIGITAL EQUIPMENT CORPORATION. COPYRIGHT © 1977.

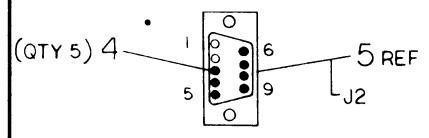
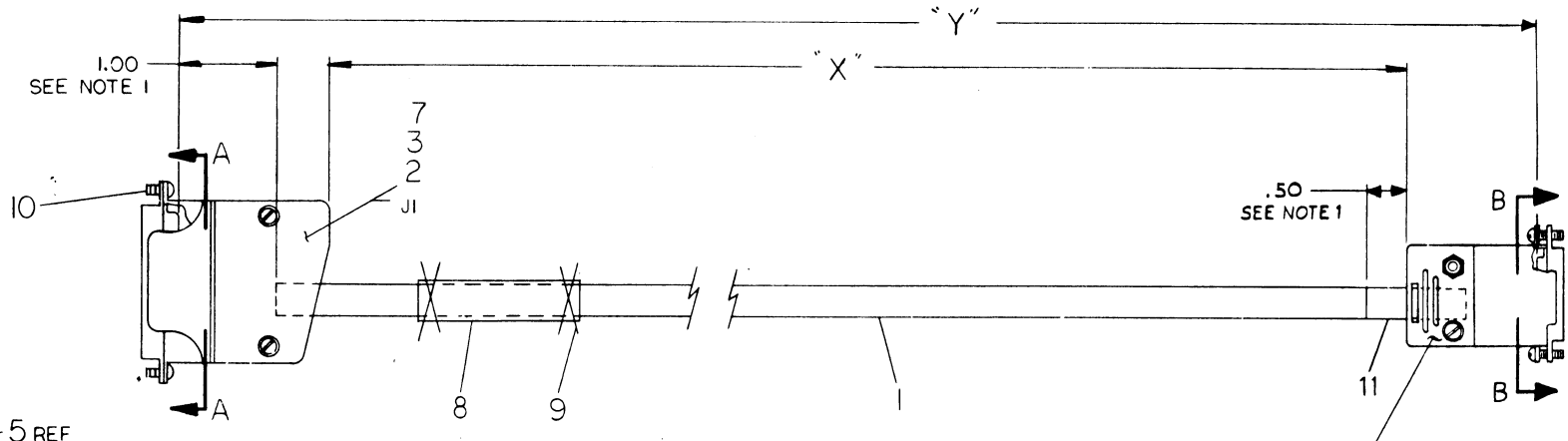
WIRE TABLE							
ITEM NO	DESCRIPTION	FROM	TO	REMARKS	NUMBER	DIM "X" VAR.	DIM "Y" PRECUT VAR.
1	22	BLK	J1-7	ITEM*4	J2-6	ITEM*4	SIGNAL GND
		WHT	J1-2	ITEM*4	J2-7	ITEM*4	XMITT
		SHIELD	J1-1	ITEM*4	---	---	A GND
		RED	J1-3	ITEM*4	J2-4	ITEM*4	RECT DATA
		BLK	---	---	J2-9	ITEM*4	
12	22	BLK	J2-8	ITEM*4	J2-5	ITEM*4	

LEGEND		
NUMBER	DIM "X" VAR.	DIM "Y" PRECUT VAR.
7015790-0	9 FEET-9 IN ±.5 IN.	10 FEET ±.5 IN.

NOTES:
1. CUT BACK OUTER JACKET OF CABLE ITEM*1 TO DIMENSIONS INDICATED. ADD APPROX 1 INCH OF SHRINK TUBING ITEM*11 TO J2 ONLY.



SECTION A-A
SKT INSERTION SIDE
SCALE: NONE



SECTION B-B
SKT INSERTION SIDE
SCALE: NONE

DESCRIPTION	DWG./PART NO.	ITEM NO.
A/R #22 AWG (BLK) STRAND	9107350-00	12
A/R TUBING, SHRINK	9107252	11
2 SCR., RETAINER MALE	1210493-51	10
2 CABLE TIE	9007031	9
1 LABEL, CABLE IDENT.	9009532	8
A/R DECALS, PWR CONNECTOR	A-DC-7409873-2-0	7
1 HOOD, 9 POSITION	1215244-01	6
1 HOUSING, 9 SKT	1211244-01	5
11 CONTACT, SKT	9009762	4
1 HOOD, 25 POSITION	1210493-50	3
1 RECEPTACLE ASSY	1211354	2
A/R CABLE, 6 CONDUCTOR	9107723	1

REV.	CHANGE NO.	DESCRIPTION
A	1	INITIALS
B	2	INITIALS

THIRD ANGLE PROJECTION	DRN. <i>[Signature]</i>	FIRST USED ON
REMOVE BURRS AND BREAK SHARP CORNERS	CHK'D <i>[Signature]</i>	MNCII digital
DO NOT SCALE DWG	ENG. <i>[Signature]</i>	TITLE
MATERIAL SEE PART LIST	PROJ. ENG. <i>[Signature]</i>	CABLE, CONSOLE INTERFACE
FINISH NONE	PROD. <i>[Signature]</i>	SIZE CODE
		D IA 7015790-0-0
		NUMBER
		1
		REV.
		A