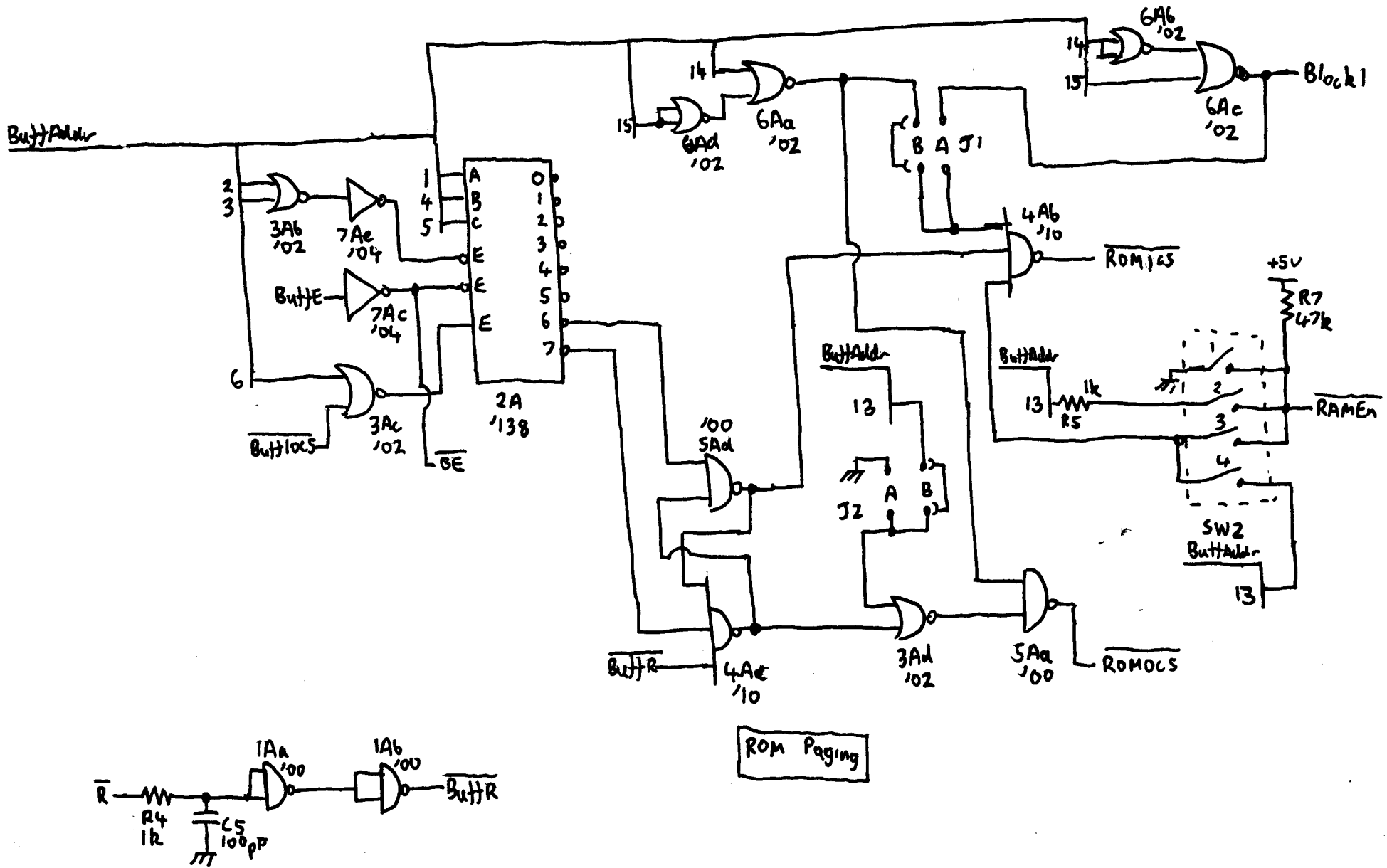
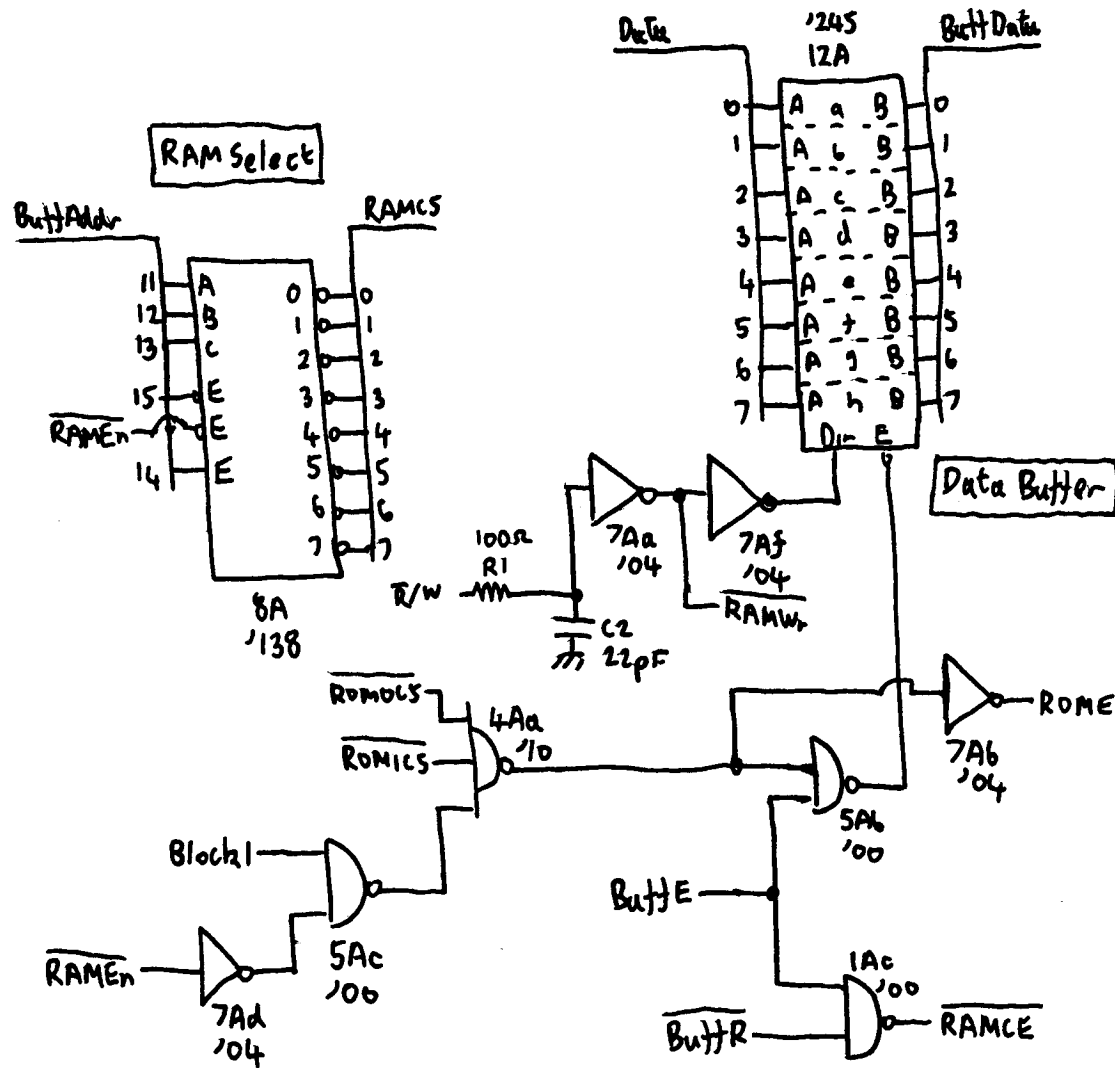


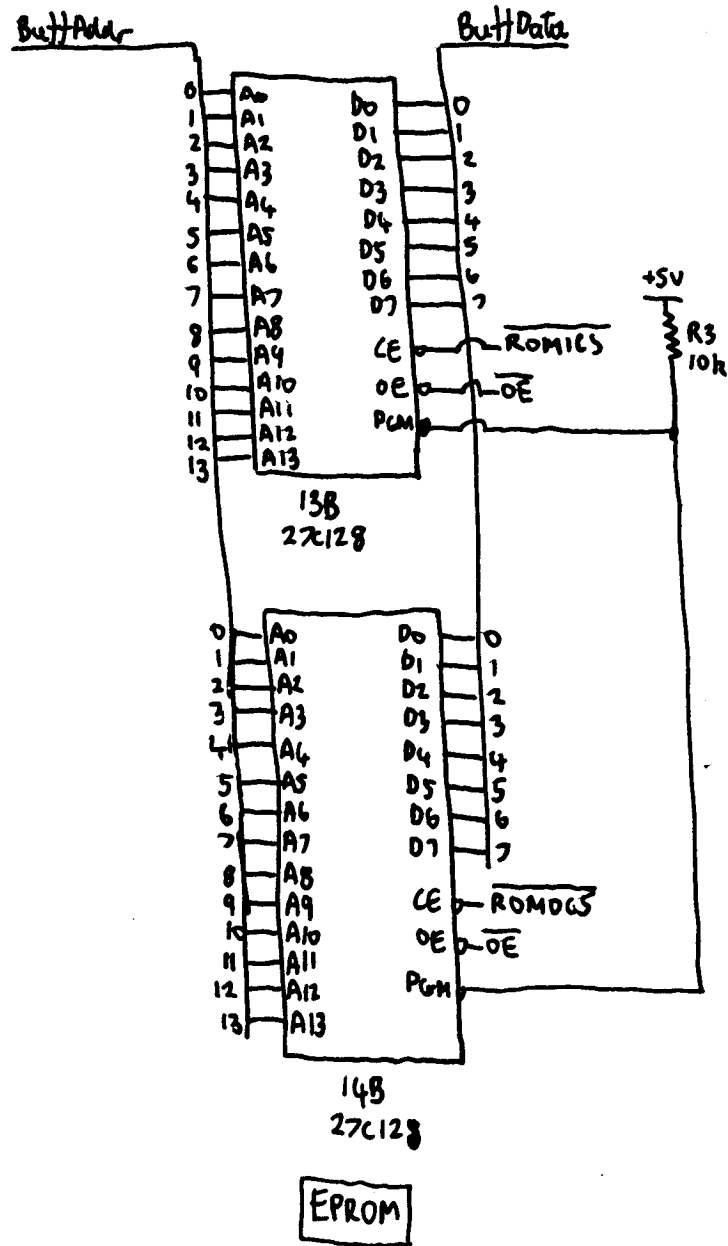
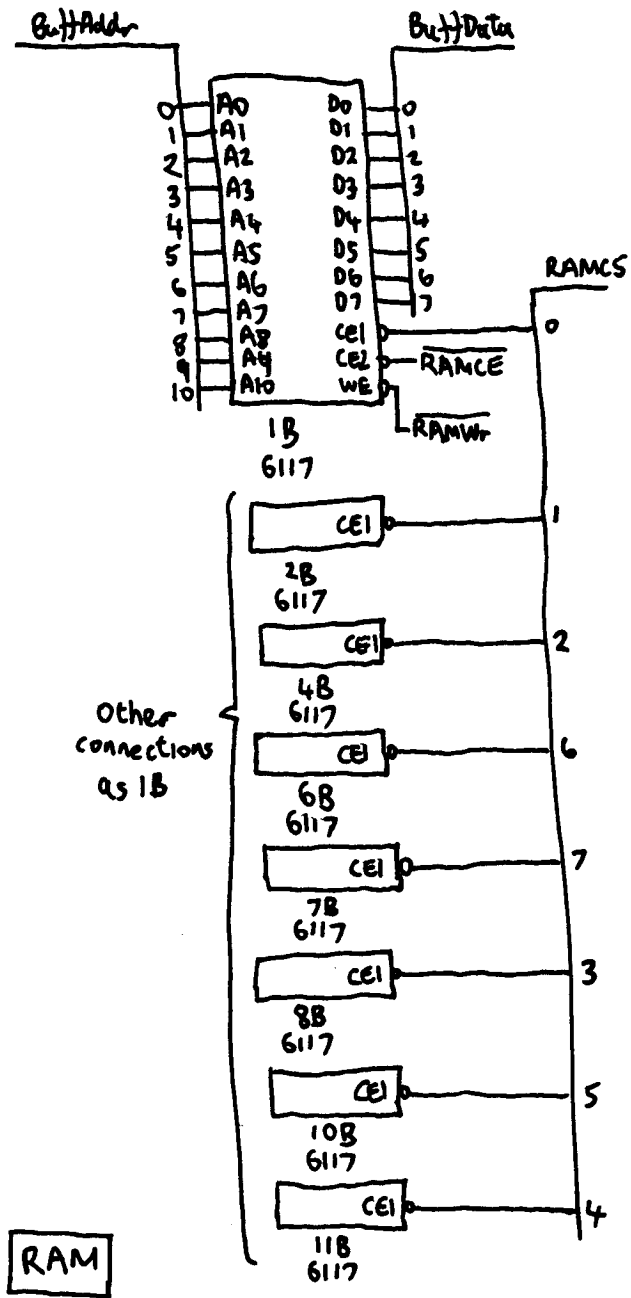
Address Buffers



Epson HX20 Expansion PCB Sheet (2)



Epson MX20 Expansion PCB Sheet ③



Epson HX20 Expansion PCB Sheet (4)