

IEEE 488

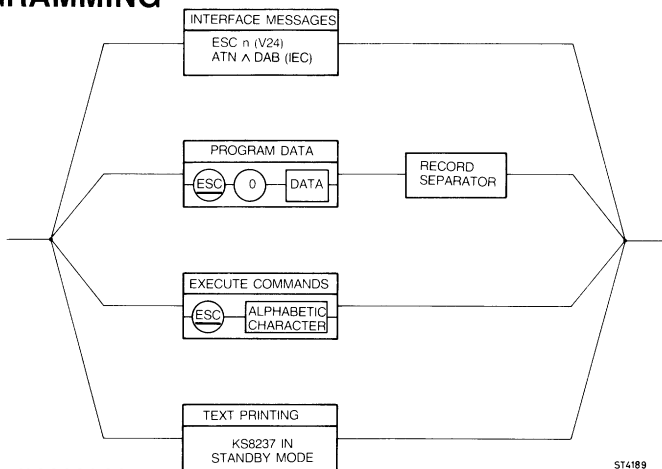
IEC 625 & V24

KS8237 MULTIPOINT DATA RECORDER

9499 430 10g11

840301

1. PROGRAMMING



514189

1.1 Interface messages

IEC-625

V24

Description

GTL
listener address
(REN)*
SDC or DCL
SPE/MTA/SPD
GET

ESC 1
ESC 2
ESC 3*
ESC 4
ESC 7
ESC 8

Go to local state
 Go to remote state
 Go to local state
 Device clear
 Poll (gives status byte)
 Device trigger

* ESC 3 for the serial interface, has the same result as making the REN line false for the IEC-bus interface



PHILIPS

PRINTED IN THE NETHERLANDS

1.2 Program data (preceded by ESC 0)

FUNCTION	MESSAGE	DESCRIPTION														
Channel select	CHnn	Select (existing) channel nn. Only possible in single channel measure, single channel display or program mode.														
Set time	TM ± hhmm	Setting of the time in hours (hh) and minutes (mm). A + sign means that in the dot mode one numeral printout of the measuring results is given everytime the print interval time is up. A - sign means that there is no numeral printout in the dot mode.														
Set date	DTddmmyy	Setting of date in days (dd), months (mm) and years (yy)														
Chart drive	CD ± nn	Chartspeed (only in dot mode) + nn speed in mm/min – nn speed in mm/hour														
		CDnn	nn is print interval time. In numeral mode: minutes In dot mode: hours Determines also the time of output measurement data to the interface.													
		CDnnnn	Divide factor for external clock pulses (only in dot mode and REMOTE ENABLE CLOCK NOT must be enabled) (see operating manual)													
Service request	MS[R]n[n][n]	Setting of the service request mask. n[n] [n] is the decimal equivalent of the mask bit pattern. (service request enabled bit . . = 1)														
		<table border="0"> <thead> <tr> <th>bit 6</th> <th>bit 5</th> <th>bit 4</th> <th>bit 3</th> <th>bit 2</th> <th>bit 1</th> <th>bit 0</th> </tr> </thead> <tbody> <tr> <td>INITIALI- SATION</td> <td>VALID DATA CAN NOT BE OUTPUT</td> <td>OPERATING OR PRO- GRAMMING ERRORS</td> <td>GENERAL INSTRU- MENT ERRORS</td> <td>MEASURING ERROR</td> <td>ALARM DETECTED</td> <td>WAITING FOR AN EXECUTE COMMAND</td> </tr> </tbody> </table>	bit 6	bit 5	bit 4	bit 3	bit 2	bit 1	bit 0	INITIALI- SATION	VALID DATA CAN NOT BE OUTPUT	OPERATING OR PRO- GRAMMING ERRORS	GENERAL INSTRU- MENT ERRORS	MEASURING ERROR	ALARM DETECTED	WAITING FOR AN EXECUTE COMMAND
bit 6	bit 5	bit 4	bit 3	bit 2	bit 1	bit 0										
INITIALI- SATION	VALID DATA CAN NOT BE OUTPUT	OPERATING OR PRO- GRAMMING ERRORS	GENERAL INSTRU- MENT ERRORS	MEASURING ERROR	ALARM DETECTED	WAITING FOR AN EXECUTE COMMAND										
Separators (input/ output)	SP[R]nn[,nn]	Record-block separator(s). nn is the decimal equivalent of a character of column 0 or 1 of the ISO code table (decimal equivalent 27 (<u>ESC</u>) is not allowed) (initial state: 10)														
	BS[P]nn	Block separator. nn is the decimal equivalent of a character of column 0 or 1 of the ISO code table. (decimal equivalent 27 (<u>ESC</u>) is not allowed) (initial state: 10)														

NOTE: [] means optional

1.3. Execute commands

a) BASIC FUNCTIONS

FUNCTION	ISO 7-bit CODE	DESCRIPTION
Standby	<u>ESC</u> S	select the standby mode
Measure	<u>ESC</u> M	select the measure mode
Program	<u>ESC</u> P	select the program mode
Single channel measure	<u>ESC</u> A <u>ESC</u> B	single channel measure on single channel measure off
Single channel display	<u>ESC</u> G <u>ESC</u> H	single channel display on single channel display off
Numeral print	<u>ESC</u> N	select numeral print mode
Dot print	<u>ESC</u> Z	select dot print mode
Chart forward	<u>ESC</u> F	chart fast forward over 75 mm (1 fold)
Print program	<u>ESC</u> L	list program on paper (channel parameter settings)

b) SCAN AND STEP FUNCTIONS (only selectable in measure mode)

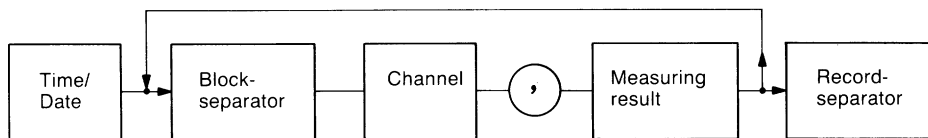
FUNCTION	ISO 7-bit CODE	DESCRIPTION
Remote SCAN	<u>ESC</u> V <u>ESC</u> W	remote SCAN enable; remote STEP disabled remote SCAN disable
Remote STEP	<u>ESC</u> X <u>ESC</u> Y	remote STEP enable; remote SCAN disabled remote STEP disable

c) OUTPUT FUNCTIONS

FUNCTION	ISO 7-bit CODE	DESCRIPTION
Print program	<u>ESC</u> I <u>ESC</u> D	list program, via interface (channel parameter settings) dump data (in hexcode) via interface for loading and reloading
Recorder status	<u>ESC</u> R	output recorder status to the interface (time, date, chart drive, print mode and service request mask)
Scaled measurement data	<u>ESC</u> T <u>ESC</u> U	the measurement data is scaled the measurement data is unscaled (initial state) (see also output data)

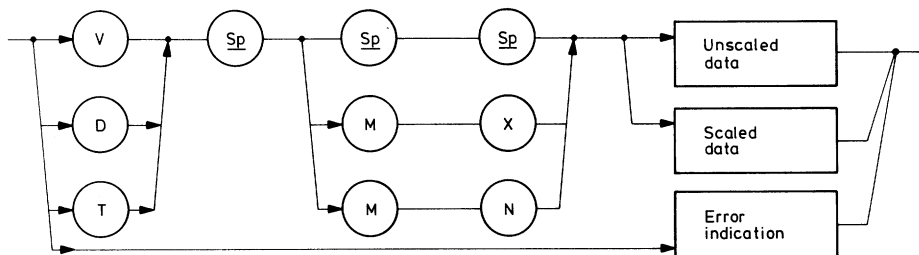
2. OUTPUT DATA

2.1 Measuring data



TIME/DATE	TMhh.mm,DTyymmdd	hh; hours mm; minutes	yy; years mm; months dd; days
CHANNEL	CHnn	nn; channel number 01...24	(example: CH01)

MEASURING RESULT



V Volt measurement
 D Difference measurement
 T Temperature measurement

MX Maximum alarm
 MN Minimum alarm
Sp Space

ST 3977

Output of UNSCALED DATA

1	2	3	4	5	6	7	8	9	10
+/-	d	d	.	d	d	E	+/-	e	e

Representation NR3 (technical notation)

+/- pos. /neg value
 dd.dd measurement value

E exponent
 ee value of the exponent

Output of SCALED DATA

A 4 digit number between 0000 and 1000
 Output measure result is the input value in part per thousand of the programmed scale

Error indication

ERROR nn nn = Decimal representation of the error code.

3. STATUS BYTE DECODING

bit 7	bit 6	bit 5	bit 4	bit 3	bit 2	bit 1	bit 0
EX	RQS	AB	BSY	EF3	EF2	EF1	EF0

If AB = 0 then the bits EF3 to EF0 indicate the function

EF3 = 1 Measure mode
EF3 = 0 Program or standby mode

EF2 = 1 Numeral print mode
EF2 = 0 Dot print mode

EF1 = 1 Alarm detected
EF1 = 0 (no alarm detected)

EF0 = 1 Initialisation passed
EF0 = 0 (Initialisation not passed)

If AB = 1 the bits EF3 to EF0 indicate the error status:

AB	EF3	EF2	EF1	EF0	DESCRIPTION
1	0	1	0	0	Measuring error
1	1	0	0	0	Valid data cannot be output

General instrument errors

1	0	0	0	1	Instrument memory failure
1	0	0	1	0	All channels skipped or no correct programmed channel
1	0	0	1	1	Paper out indication

Operating and program errors

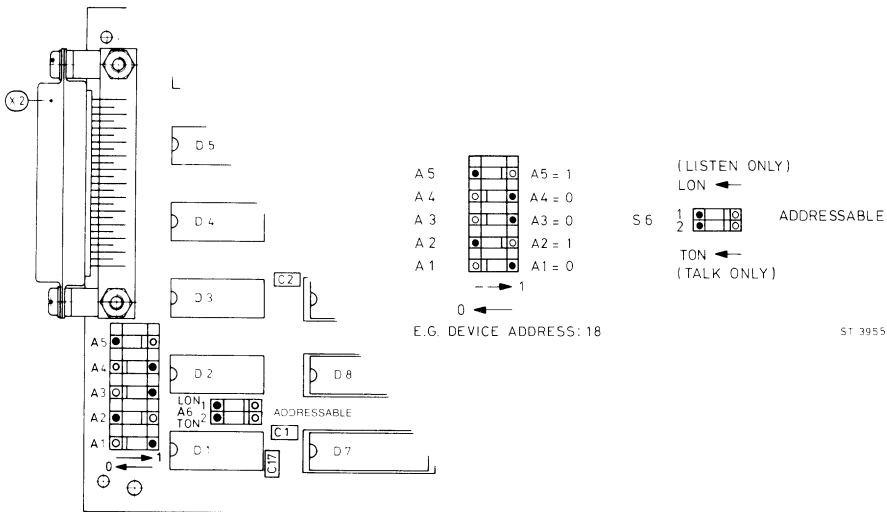
1	0	1	0	1	Selected channel is not in the range 1...24
1	0	1	1	0	Selected channel does not exist or is skipped
1	0	1	1	1	Selected channel contains invalid program data
1	1	1	0	0	Programmed data is invalid

4. SERVICE REQUEST

	EX	RQS	AB	BSY	EF3	EF2	EF1	EF0	
Initialisation	0	1	0	x	x	x	x	1	
Valid data cannot be output	0	1	1	x	1	0	0	0	
	0	1	1	x	0	1	0	1	Selected channel is not in the range (1 to 24)
Operating or program errors	0	1	1	x	0	1	1	0	Selected channel does not exist or is skipped
	0	1	1	x	0	1	1	1	Selected channel contains invalid program data
	0	1	1	x	1	1	0	0	Programmed data is invalid
	0	1	1	x	0	0	0	1	Memory failure
General instrument errors	0	1	1	x	0	0	1	0	All channels skipped or incorrectly programmed
	0	1	1	x	0	0	1	1	Paper-out indication
Measuring error	0	1	1	x	0	1	0	0	
Alarm detected in a channel	0	1	0	x	x	x	1	x	
Waiting for an execute command	0	1	0	0	x	x	0	0	

5. SWITCH SPECIFICATION

5.1 IEC-625/IEEE-488 interface



5.2 V24, 28 interface

